



Chipsmall Limited consists of a professional team with an average of over 10 year of expertise in the distribution of electronic components. Based in Hongkong, we have already established firm and mutual-benefit business relationships with customers from,Europe,America and south Asia,supplying obsolete and hard-to-find components to meet their specific needs.

With the principle of “Quality Parts,Customers Priority,Honest Operation,and Considerate Service”,our business mainly focus on the distribution of electronic components. Line cards we deal with include Microchip,ALPS,ROHM,Xilinx,Pulse,ON,Everlight and Freescale. Main products comprise IC,Modules,Potentiometer,IC Socket,Relay,Connector.Our parts cover such applications as commercial,industrial, and automotives areas.

We are looking forward to setting up business relationship with you and hope to provide you with the best service and solution. Let us make a better world for our industry!



Contact us

Tel: +86-755-8981 8866 Fax: +86-755-8427 6832

Email & Skype: info@chipsmall.com Web: www.chipsmall.com

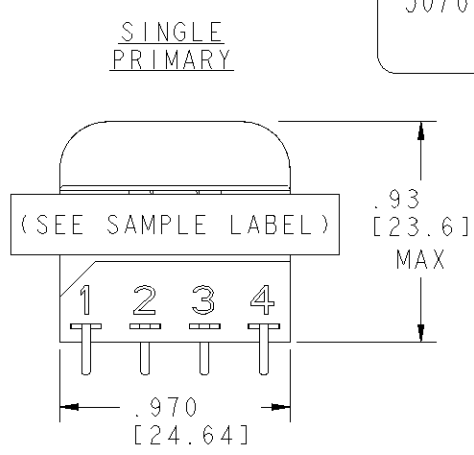
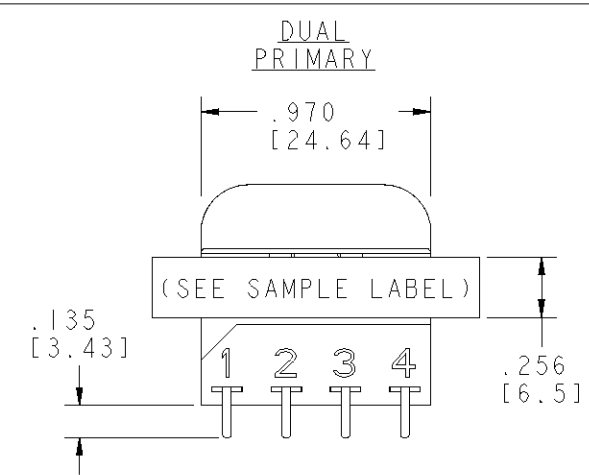
Address: A1208, Overseas Decoration Building, #122 Zhenhua RD., Futian, Shenzhen, China



THIS DRAWING IS UNPUBLISHED. RELEASED FOR PUBLICATION 20
 © COPYRIGHT 20 BY ALL RIGHTS RESERVED.

LOC		DIST		REVISIONS			
P	LTR	DESCRIPTION	DATE	OWN	APVD		
GZ	00	F1	REVISED PER ECO-11-005139	28MAR11	RK	HMR	

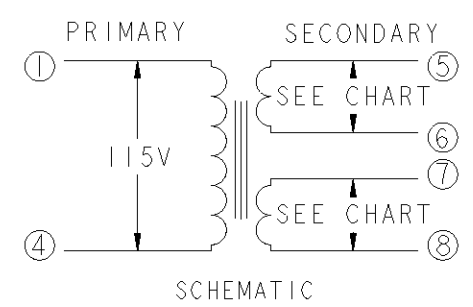
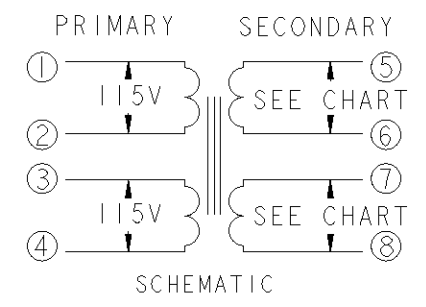
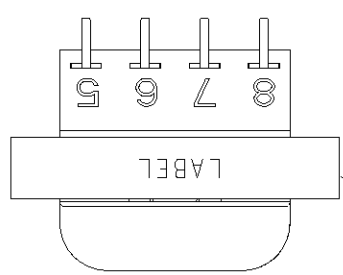
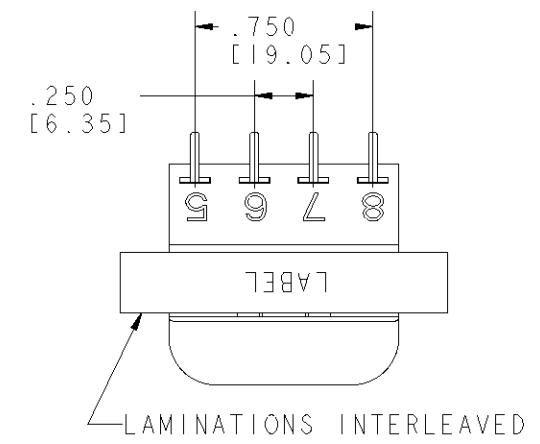
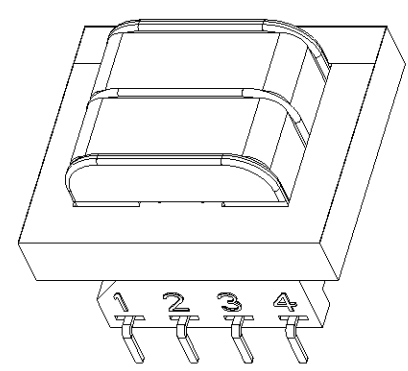
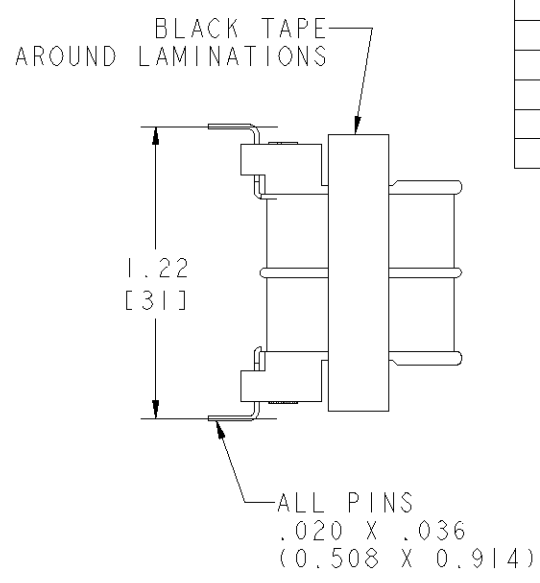
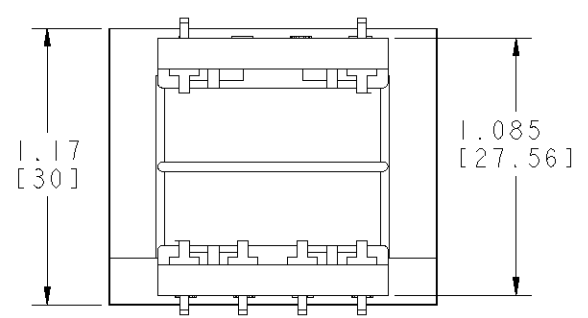
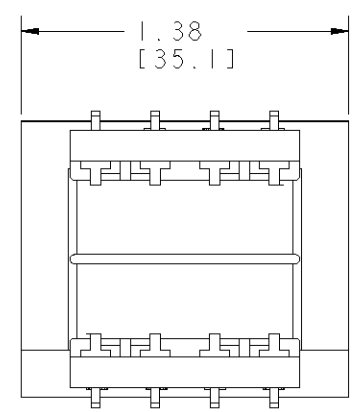
4900-XXXXRA60
 50/60HZ 1.1VA SEC-6/12 VAC
 115V 115V



SAMPLE LABEL
 SCALE: 5:1
 VOLTAGE ON LABEL WILL VARY PER MODEL NUMBER

CERTIFICATION: UL/CUL FILE NO. E102980	HZ.	V.A.
DIMENSIONS FOR REFERENCE ONLY.	50/60	1.1

PRIMARY	SECONDARY		P. U. PART NUMBER	TE Connectivity PART NUMBER
	SERIES	PARALLEL		
115 VAC	12 VCT	6 VAC	4900-8012RA60	1672324-2
115 VAC	12.6 VCT	6.3 VAC	4900-8013RA60	1672324-3
115 VAC	20 VCT	10 VAC	4900-8020RA60	1672324-5
115 VAC	24 VCT	12 VAC	4900-8024RA60	1672324-6
115 VAC	28 VCT	14 VAC	4900-8028RA60	1672324-7
115 VAC	48 VCT	24 VAC	4900-8048RA60	1-1672324-0
115/230 VAC	12 VCT	6 VAC	4900-9012RA60	1-1672324-4
115/230 VAC	12.6 VCT	6.3 VAC	4900-9013RA60	1-1672324-5
115/230 VAC	20 VCT	10 VAC	4900-9020RA60	1-1672324-7
115/230 VAC	24 VCT	12 VAC	4900-9024RA60	1-1672324-8
115/230 VAC	28 VCT	14 VAC	4900-9028RA60	1-1672324-9
115/230 VAC	48 VCT	24 VAC	4900-9048RA60	2-1672324-2



DWN T. SPRINKLE 16 JUL 2008		TE TE Connectivity	
CHK J. HURLBURT 16 JUL 2008			
APVD J. HURLBURT 16 JUL 2008		NAME	
DIMENSIONS: INCHES (mm)		PRODUCT SPEC	
TOLERANCES UNLESS OTHERWISE SPECIFIED:		APPLICATION SPEC	
0 PLC ±	1 PLC ±	WEIGHT	
2 PLC ±.01(0.25)	3 PLC ±.005(0.13)	SIZE CAGE CODE DRAWING NO RESTRICTED TO	
4 PLC ±	ANGLES ±	A200779 C-4900-RA60	
FINISH		CUSTOMER DRAWING	
		SCALE 5:1 SHEET 1 OF 1 REV F1	

4900-RA60