



Chipsmall Limited consists of a professional team with an average of over 10 year of expertise in the distribution of electronic components. Based in Hongkong, we have already established firm and mutual-benefit business relationships with customers from,Europe,America and south Asia,supplying obsolete and hard-to-find components to meet their specific needs.

With the principle of "Quality Parts,Customers Priority,Honest Operation,and Considerate Service",our business mainly focus on the distribution of electronic components. Line cards we deal with include Microchip,ALPS,ROHM,Xilinx,Pulse,ON,Everlight and Freescale. Main products comprise IC,Modules,Potentiometer,IC Socket,Relay,Connector.Our parts cover such applications as commercial,industrial, and automotives areas.

We are looking forward to setting up business relationship with you and hope to provide you with the best service and solution. Let us make a better world for our industry!



Contact us

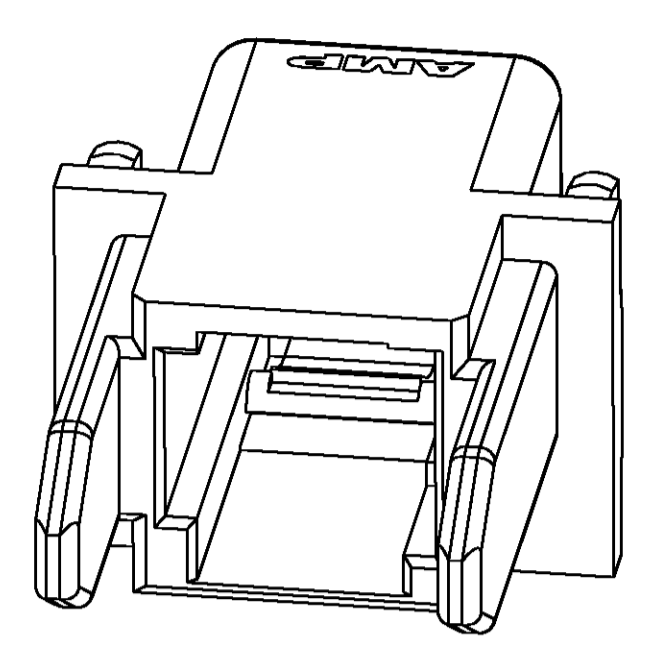
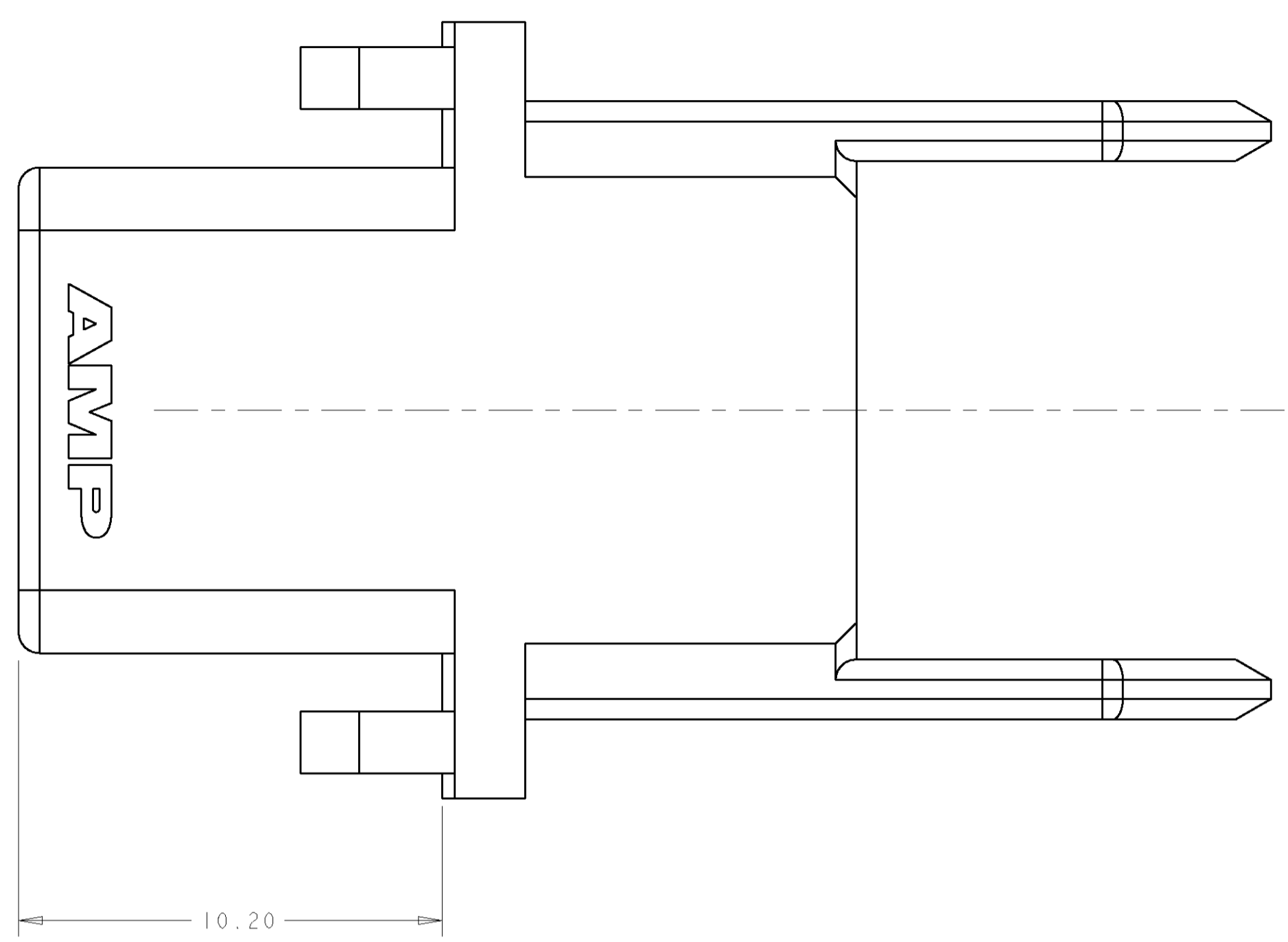
Tel: +86-755-8981 8866 Fax: +86-755-8427 6832

Email & Skype: info@chipsmall.com Web: www.chipsmall.com

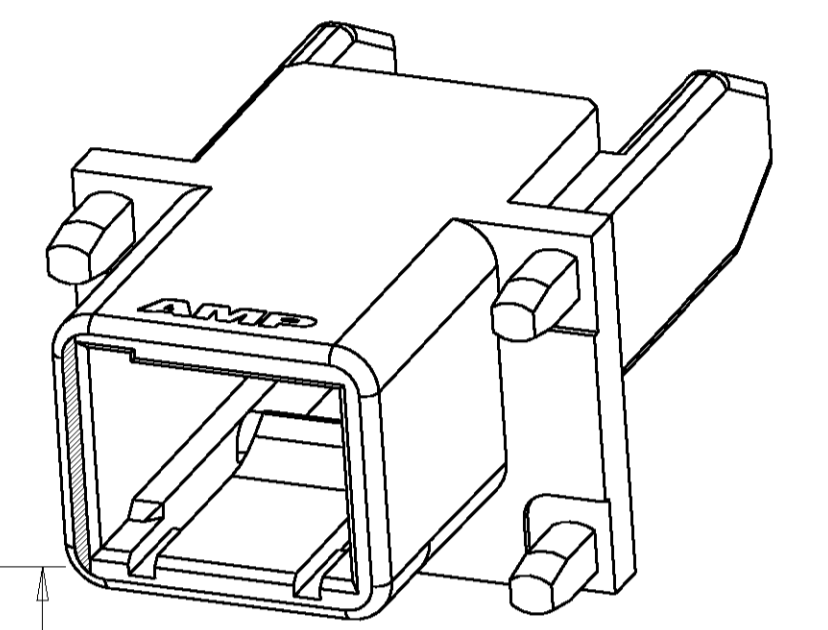
Address: A1208, Overseas Decoration Building, #122 Zhenhua RD., Futian, Shenzhen, China



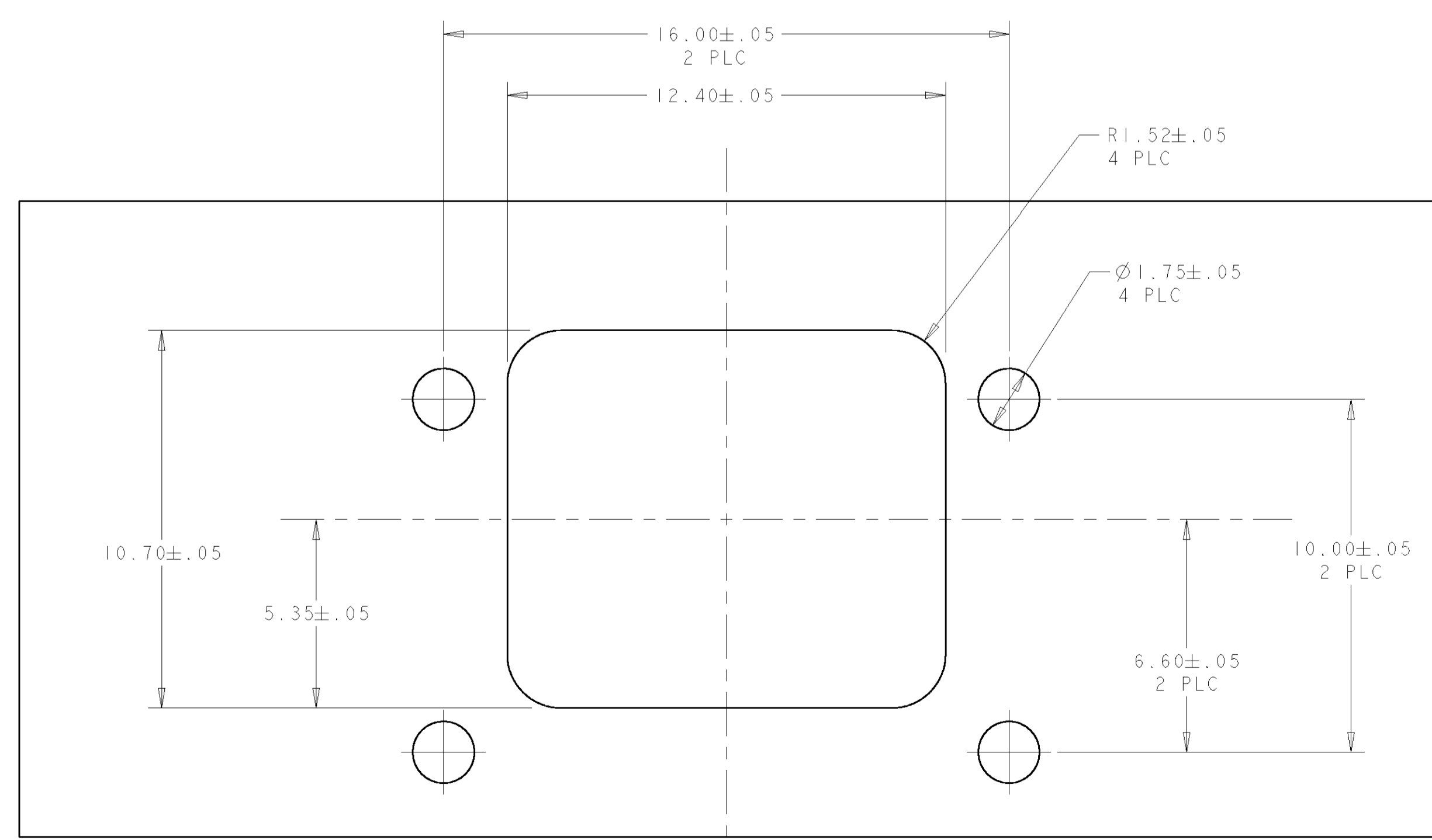
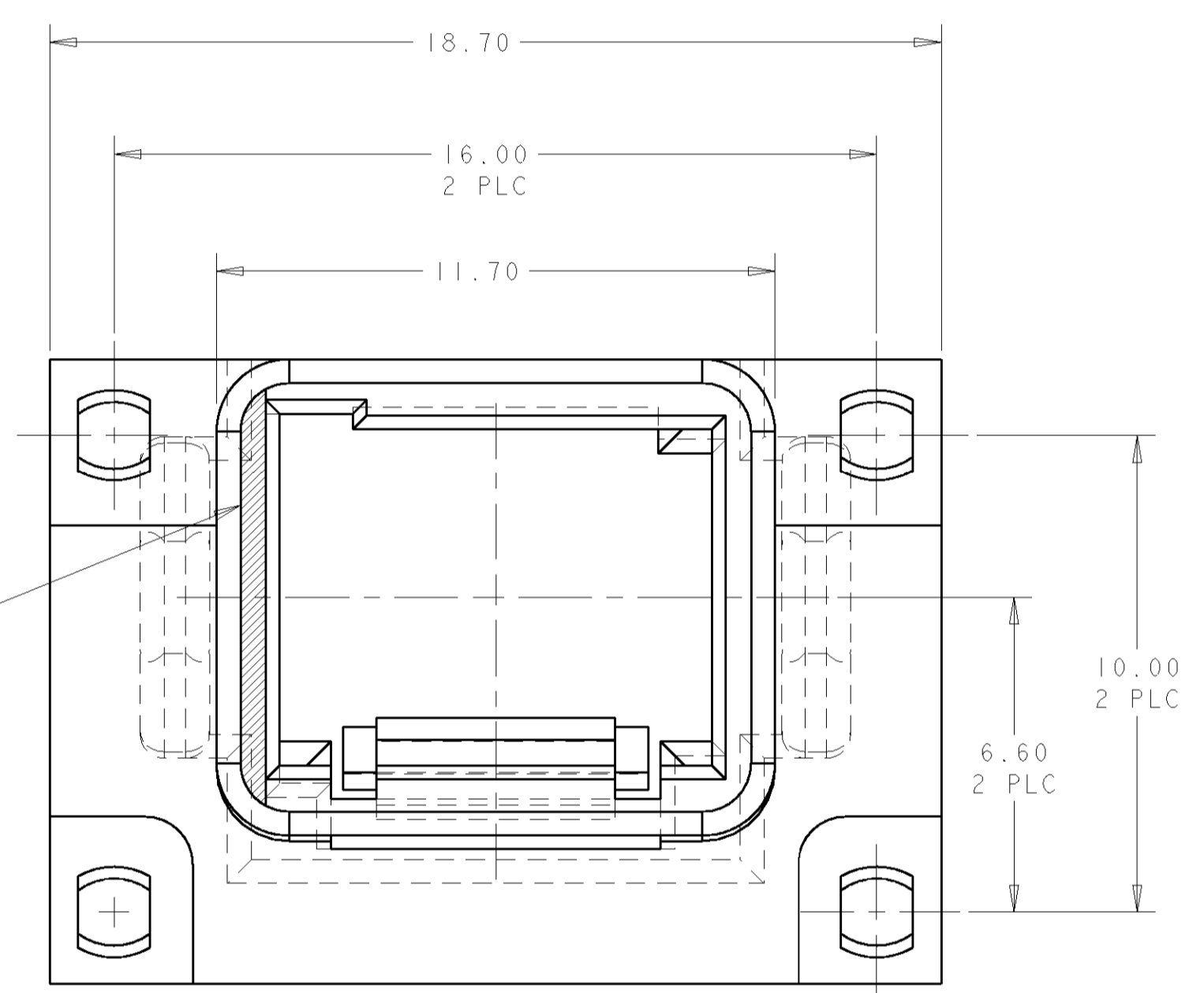
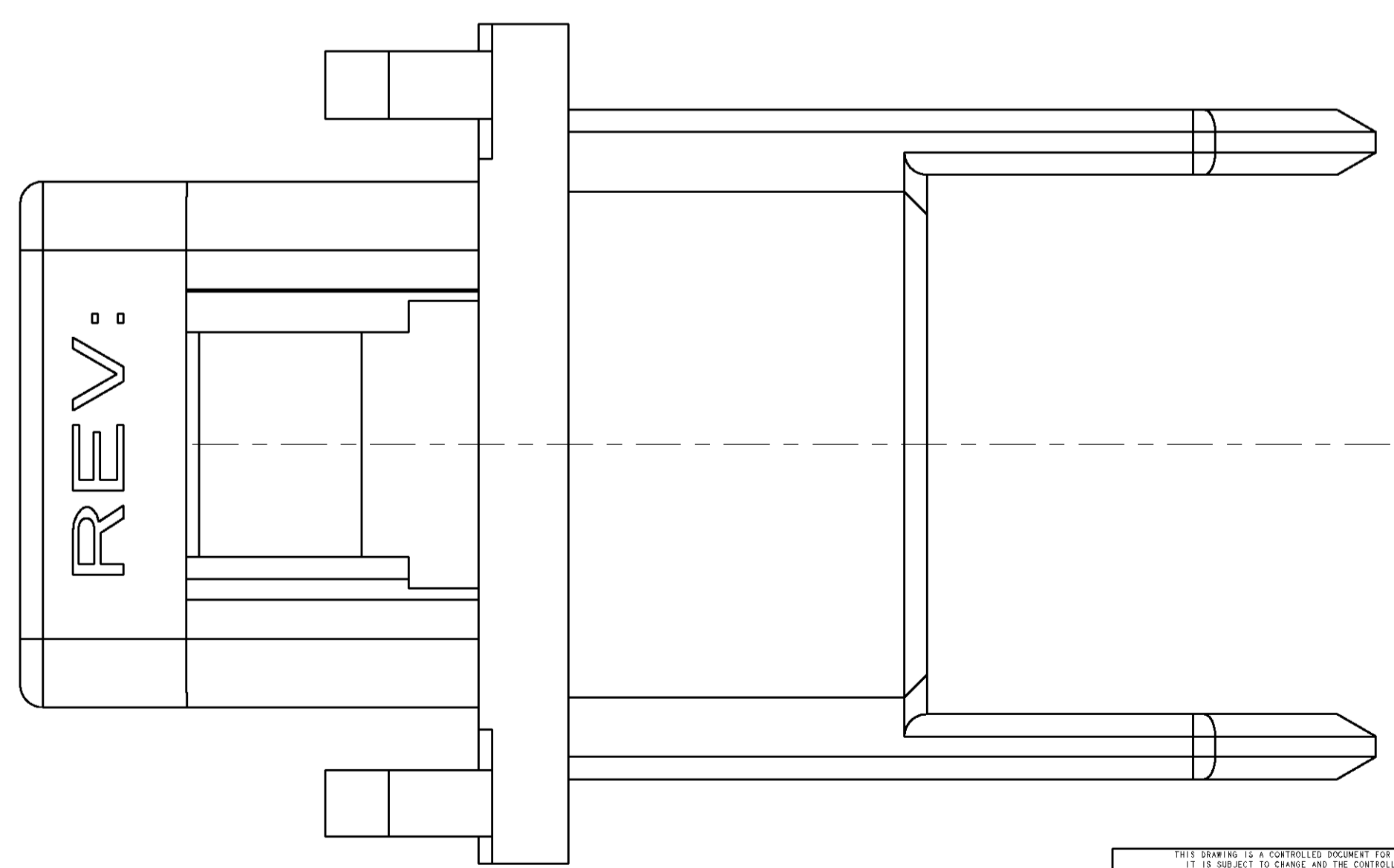
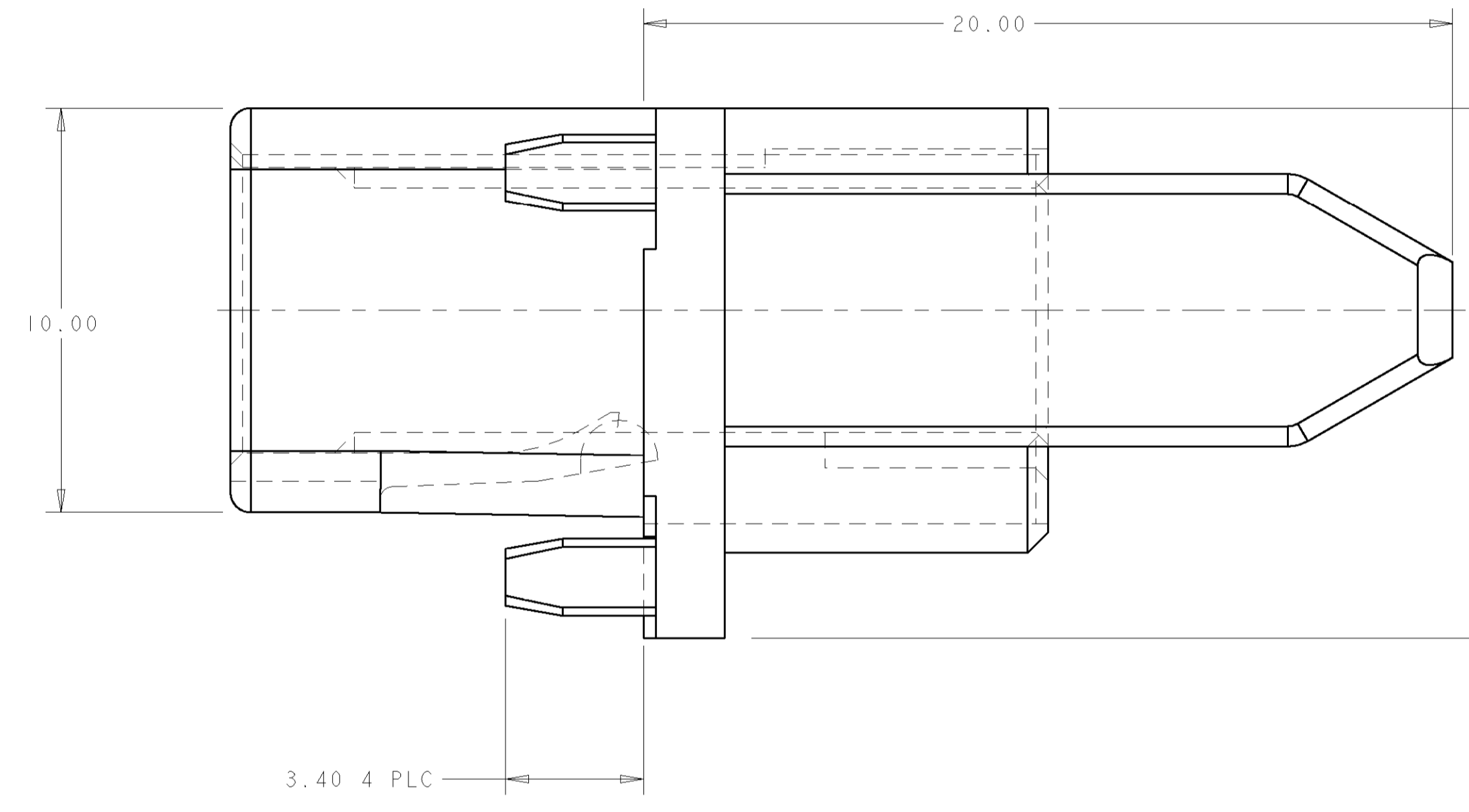
LOC	DIST	REVISIONS				
		REV	DESCRIPTION	DATE	DWN	APPD
CE	16	B	REVISED PER EC	06JAN97	TG	LB
		C	REV PER EC 00B0-0067-01	23JAN01	EB	LB



SCALE 4:1



SCALE 4:1



SUGGESTED BACKPLANE CUT-OUT
SCALE 8:1

492233-1
PART NUMBER

<small>THIS DRAWING IS A CONTROLLED DOCUMENT FOR AMP INCORPORATED. ALL CHANGES TO THIS DRAWING AND THE CONTROLS ON THESE CHANGES SHOULD BE CONTACTED FOR THE LATEST REVISION.</small>		DWN: R. HILEMAN 23-Jan-01 ENR: S. BUCHTER 2-14-97 APPD: S. BUCHTER 2-14-97	AMP Incorporated Harrisburg, PA 17105-3608
DIMENSIONS: mm	TOLERANCES UNLESS OTHERWISE SPECIFIED: 0 PLC ± 1 PLC ±0.3 2 PLC ±0.10 3 PLC ±0.001 4 PLC ±0.0001 ANGLES ±	NAME: HOUSING WITH POST, BACKPLANE, SINGLE POSITION, LIGHTRAY MPX PRODUCT SPEC: APPLICATION SPEC: WEIGHT: CUSTOMER DRAWING	SIZE: A1 CAGE CODE: 00779 DRAWING NO: 492233 SCALE: 8:1
MATERIAL:	FINISH:	WEIGHT:	SCALE: 8:1 SHEET 1 OF 1 REV C