



Chipsmall Limited consists of a professional team with an average of over 10 year of expertise in the distribution of electronic components. Based in Hongkong, we have already established firm and mutual-benefit business relationships with customers from,Europe,America and south Asia,supplying obsolete and hard-to-find components to meet their specific needs.

With the principle of “Quality Parts,Customers Priority,Honest Operation,and Considerate Service”,our business mainly focus on the distribution of electronic components. Line cards we deal with include Microchip,ALPS,ROHM,Xilinx,Pulse,ON,Everlight and Freescale. Main products comprise IC,Modules,Potentiometer,IC Socket,Relay,Connector.Our parts cover such applications as commercial,industrial, and automotives areas.

We are looking forward to setting up business relationship with you and hope to provide you with the best service and solution. Let us make a better world for our industry!



Contact us

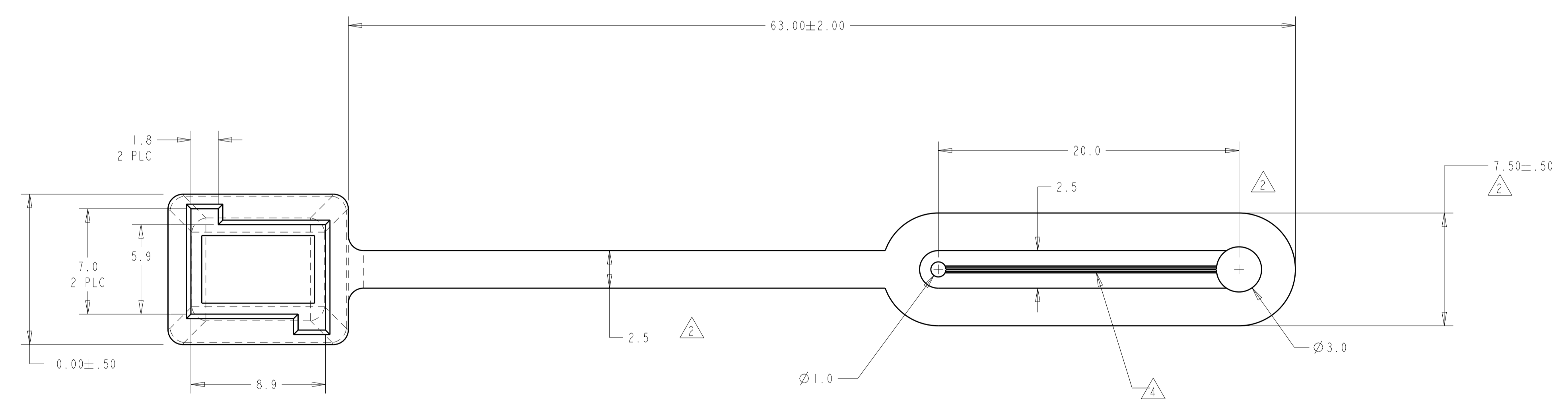
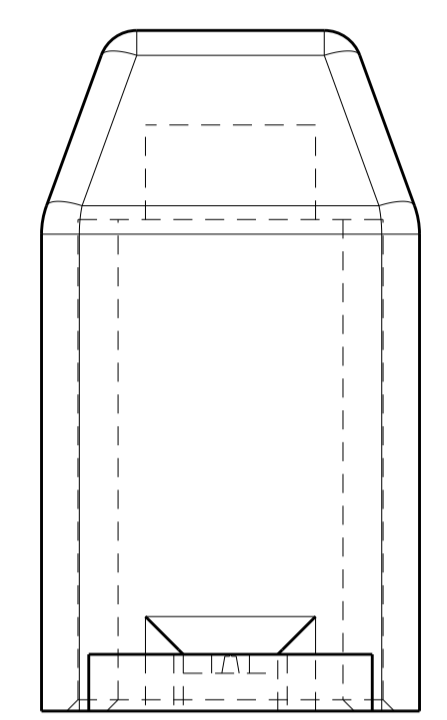
Tel: +86-755-8981 8866 Fax: +86-755-8427 6832

Email & Skype: info@chipsmall.com Web: www.chipsmall.com

Address: A1208, Overseas Decoration Building, #122 Zhenhua RD., Futian, Shenzhen, China



LOC	DIST	REVISIONS					
		P.	LTN	DESCRIPTION	DATE	DWN	APVD
CE	16	B		REV PER ECN DA00-0050-99	17JUL99	SH	LB
		BI		REVISED PER ECO-09-025699	22DEC09	KK	AEG
		C		REV PER ECO-012-013722	07AUG2012	EH	DB



- 1 MATERIAL: THERMOPLASTIC ELASTOMER
- 2 492577-1, -5, -9, -13 HAS NO STRAP. DIMENSIONS APPLY TO -2, -6, -10, -14 ONLY.
- 3 BULK PACKAGE 25 PCS.
- 4 SLOT TO OPEN UP TO FIT OVER MPX CONNECTOR
- 5. RETENTION FORCE WHEN MATED= 1/2 LB MIN
- 6 OBSOLETE PARTS: OBSOLETE CIS STREAMLINING PER D.RENAUD/D.SINISI

OBsolete	COLOR	STRAP	PART NUMBER
	RED	YES	1-492577-4
	RED	NO 2	1-492577-3
	BLUE	YES	1-492577-0
	BLUE	NO 2	492577-9
	GREEN	YES	492577-6
	GREEN	NO 2	492577-5
3	BLACK OR NATURAL	YES	492577-2
3	BLACK OR NATURAL	NO 2	492577-1

DIMENSIONS: mm [INCHES]		TOLERANCES UNLESS OTHERWISE SPECIFIED: 0 PLC ±.5 1 PLC ±.13 2 PLC ±.13 3 PLC ±.0001 4 PLC ±.0001 ANGLES ±.0001		DWN S. HILKER 17JUL99 CHK L. BARKUS 17JUL99 APVD K. MONROE 17JUL99		Tyco Electronics Harrisburg, PA 17105-3608	
MATERIAL: - FINISH: -		PRODUCT SPEC: - APPLICATION SPEC: - WEIGHT: -		NAME: DUST COVER, MPX PLUG		SIZE: A1 CAGE CODE: 00779 DRAWING NO: 492577	
CUSTOMER DRAWING		SCALE: 5:1		SHEET: 1 OF 1		REV: C	