



Chipsmall Limited consists of a professional team with an average of over 10 year of expertise in the distribution of electronic components. Based in Hongkong, we have already established firm and mutual-benefit business relationships with customers from,Europe,America and south Asia,supplying obsolete and hard-to-find components to meet their specific needs.

With the principle of “Quality Parts,Customers Priority,Honest Operation,and Considerate Service”,our business mainly focus on the distribution of electronic components. Line cards we deal with include Microchip,ALPS,ROHM,Xilinx,Pulse,ON,Everlight and Freescale. Main products comprise IC,Modules,Potentiometer,IC Socket,Relay,Connector.Our parts cover such applications as commercial,industrial, and automotives areas.

We are looking forward to setting up business relationship with you and hope to provide you with the best service and solution. Let us make a better world for our industry!



## Contact us

Tel: +86-755-8981 8866 Fax: +86-755-8427 6832

Email & Skype: info@chipsmall.com Web: www.chipsmall.com

Address: A1208, Overseas Decoration Building, #122 Zhenhua RD., Futian, Shenzhen, China



THIS DRAWING IS UNPUBLISHED.

RELEASED FOR PUBLICATION

,19 .

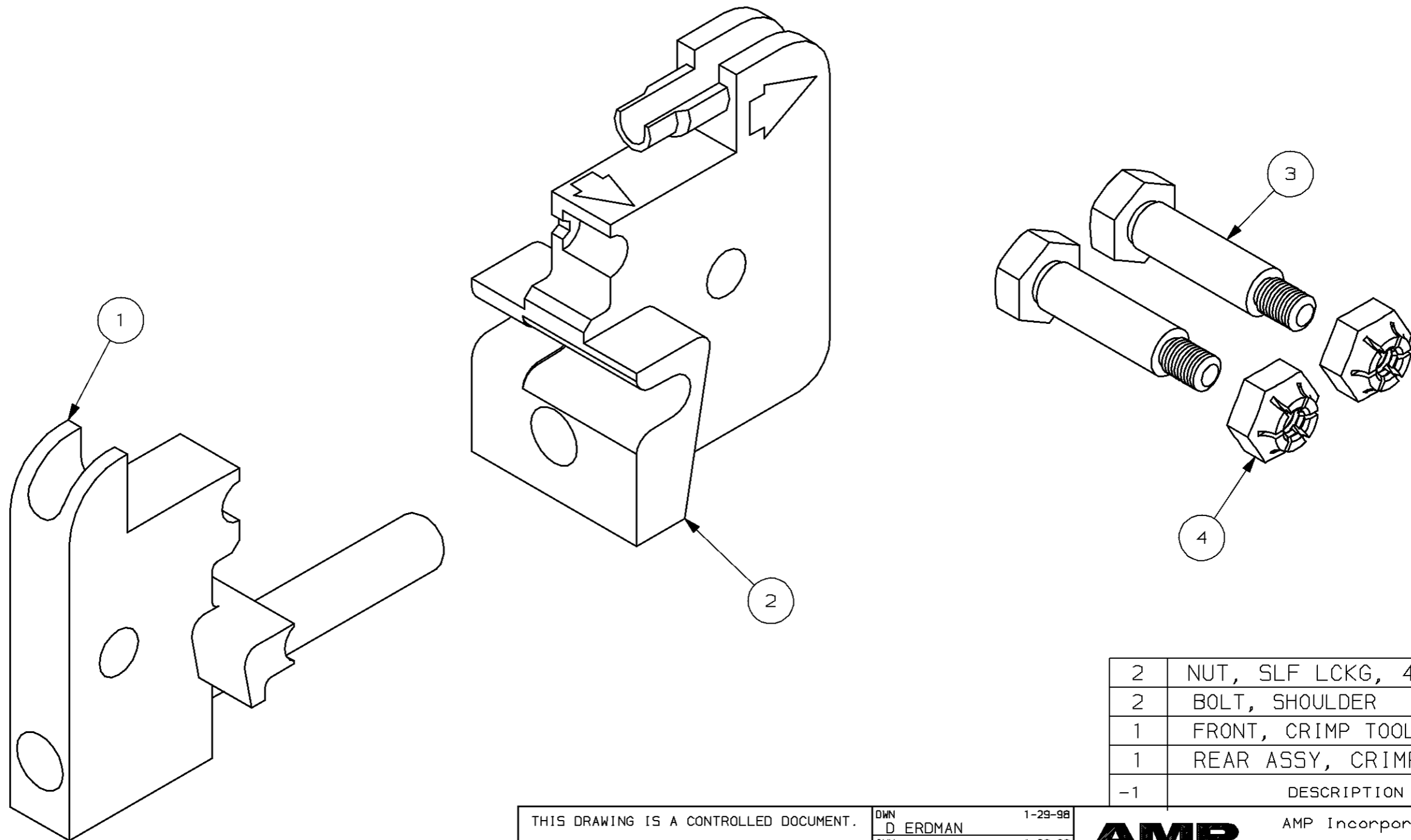
© COPYRIGHT 19

BY AMP INCORPORATED. ALL RIGHTS RESERVED.

LOC CE DIST 16

REVISIONS

P	LTR	DESCRIPTION	DATE	DWN	APVD
0		REL PER NPR 98-030	1-29-98	DDE	JD



2	NUT, SLF LCKG, 4-40	4
2	BOLT, SHOULDER	3
1	FRONT, CRIMP TOOL	2
1	REAR ASSY, CRIMP TOOL	1
-1	DESCRIPTION	ITEM NO

THIS DRAWING IS A CONTROLLED DOCUMENT.

DIMENSIONS:	DIMENSIONS	TOLERANCES UNLESS OTHERWISE SPECIFIED:
mm		
	0 PLC	±-
	1 PLC	±-
	2 PLC	±-
	3 PLC	±-
	4 PLC	±-
	ANGLES	±-
MATERIAL	FINISH	

DWN	D ERDMAN	1-29-98
CHK	J DAVIS	1-29-98
APVD	K MONROE	1-29-98
PRODUCT SPEC		
APPLICATION SPEC		
WEIGHT		
CUSTOMER DRAWING		

<b>AMP</b>		AMP Incorporated	
		Harrisburg, PA 17105-3608	
NAME DIESET W/PROCRIMPER LightCrimp Plus SC			
SIZE	CAGE CODE	DRAWING NO	RESTRICTED TO
A3	00779	C- 492783	-
SCALE	SHEET	OF	REV
4:1	1	1	0