



Chipsmall Limited consists of a professional team with an average of over 10 year of expertise in the distribution of electronic components. Based in Hongkong, we have already established firm and mutual-benefit business relationships with customers from,Europe,America and south Asia,supplying obsolete and hard-to-find components to meet their specific needs.

With the principle of “Quality Parts,Customers Priority,Honest Operation,and Considerate Service”,our business mainly focus on the distribution of electronic components. Line cards we deal with include Microchip,ALPS,ROHM,Xilinx,Pulse,ON,Everlight and Freescale. Main products comprise IC,Modules,Potentiometer,IC Socket,Relay,Connector.Our parts cover such applications as commercial,industrial, and automotives areas.

We are looking forward to setting up business relationship with you and hope to provide you with the best service and solution. Let us make a better world for our industry!



## Contact us

Tel: +86-755-8981 8866 Fax: +86-755-8427 6832

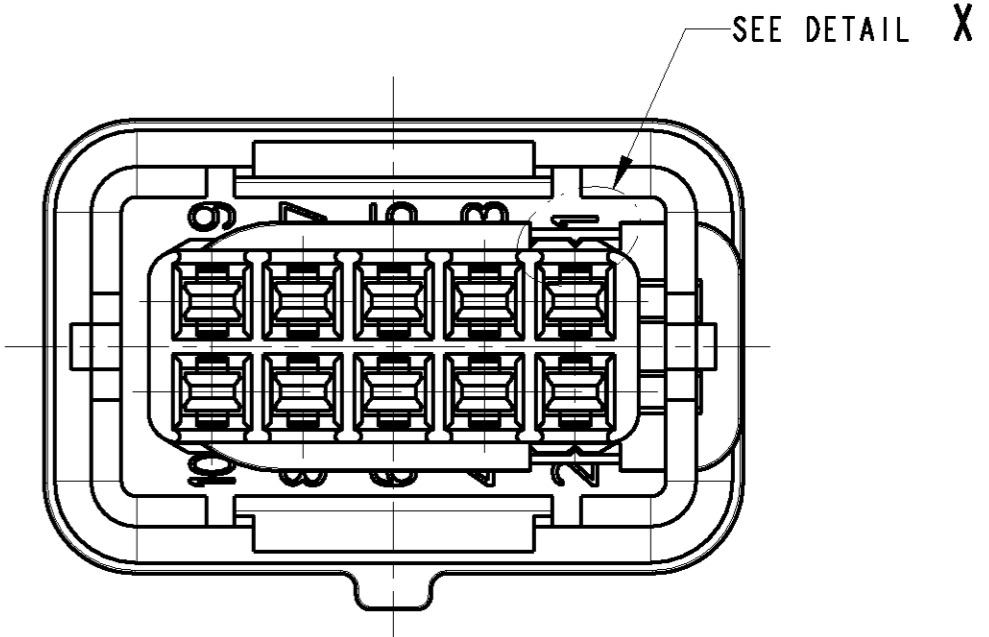
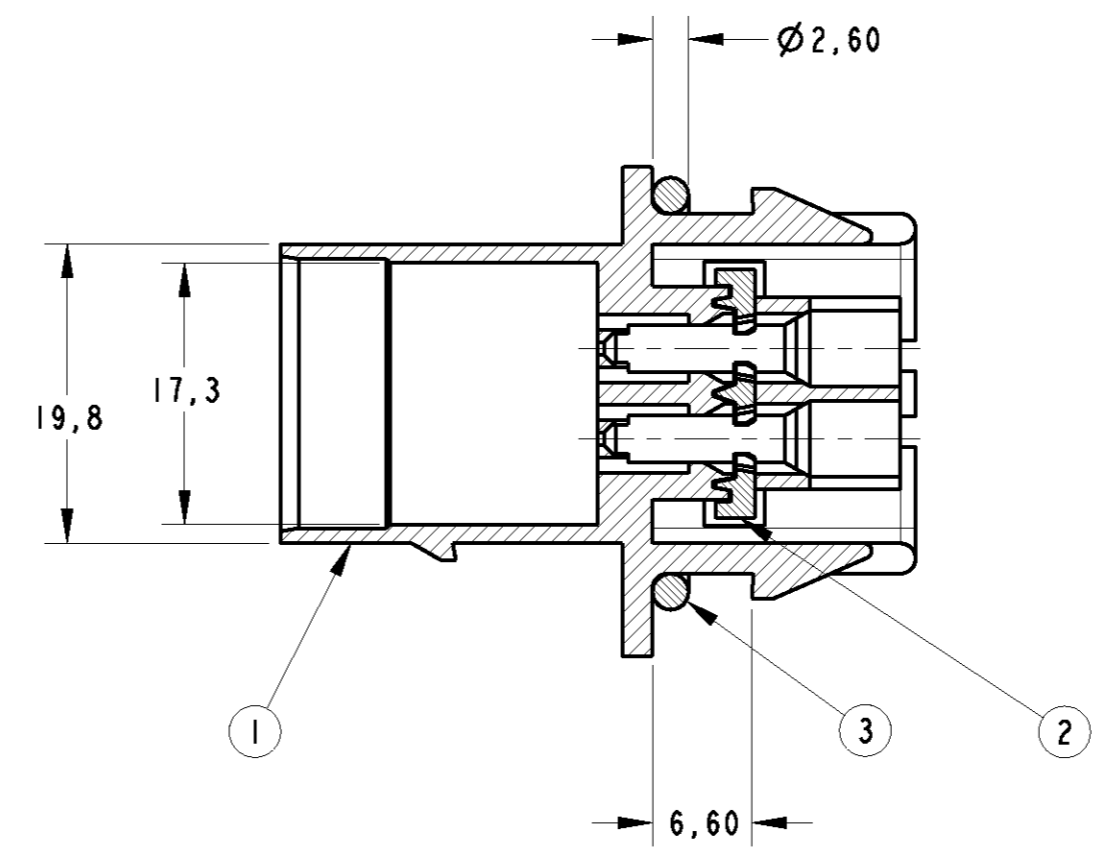
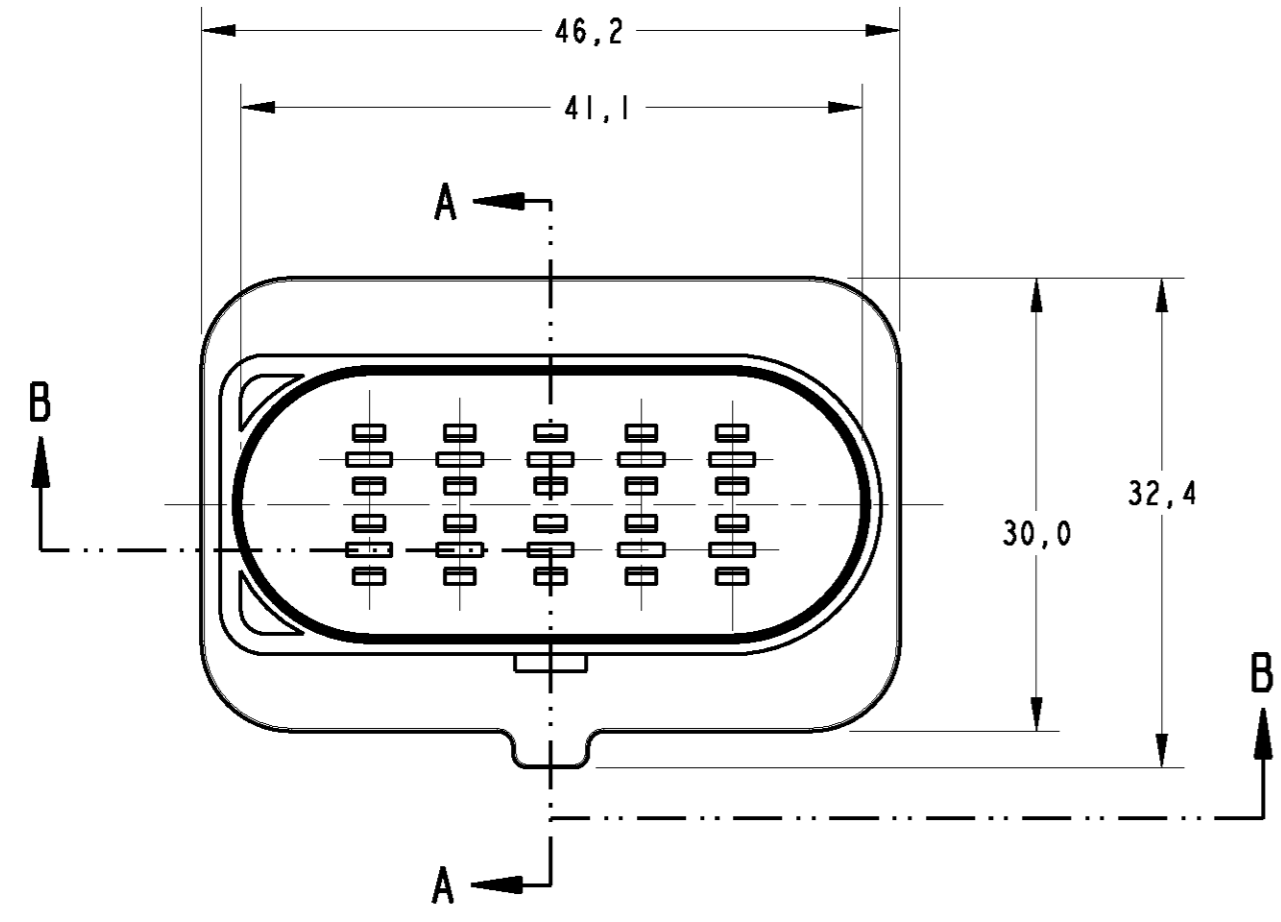
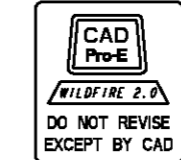
Email & Skype: info@chipsmall.com Web: www.chipsmall.com

Address: A1208, Overseas Decoration Building, #122 Zhenhua RD., Futian, Shenzhen, China

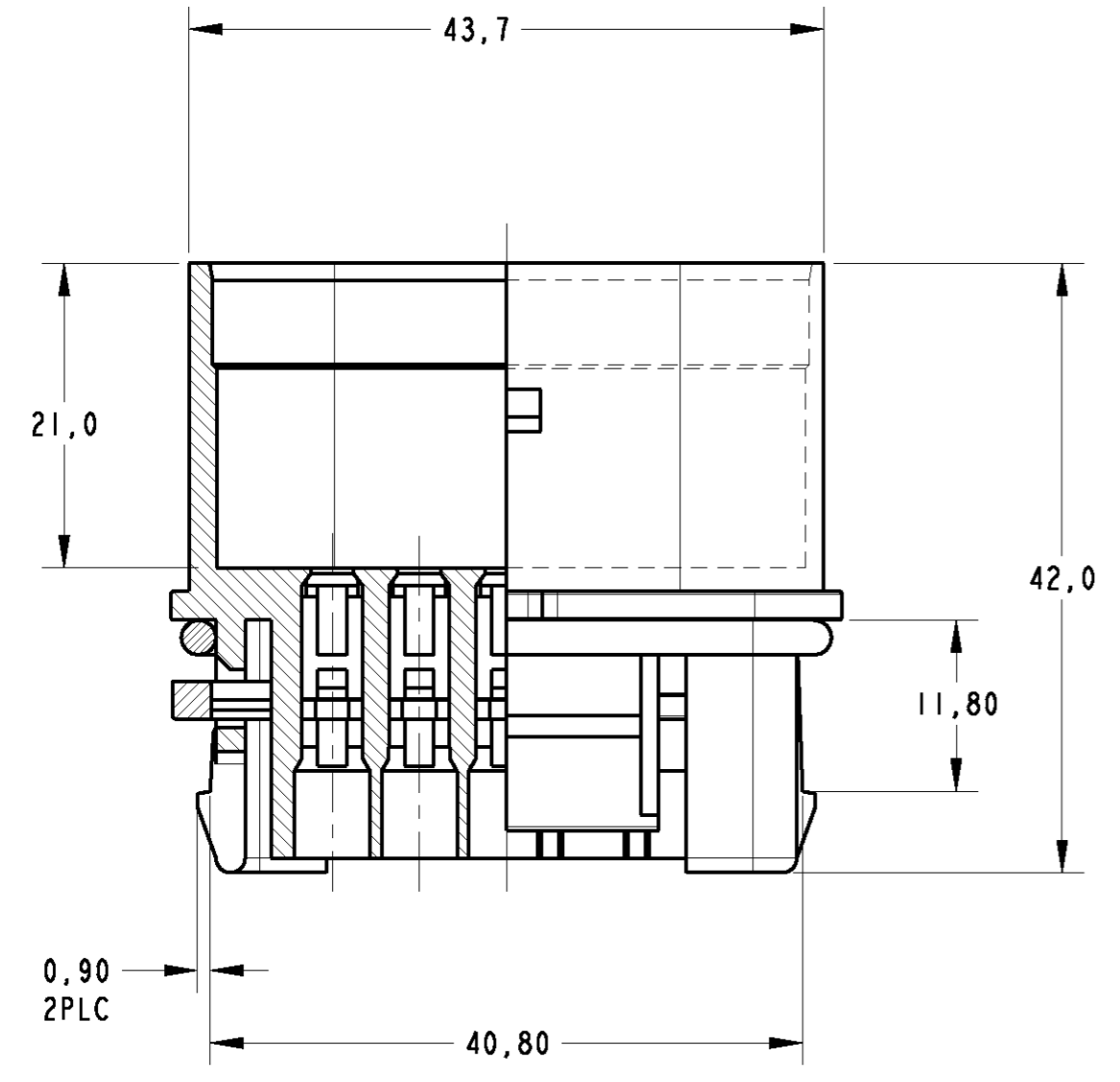


THIS DRAWING IS UNPUBLISHED. RELEASED FOR PUBLICATION  
 © COPYRIGHT BY ALL RIGHTS RESERVED.

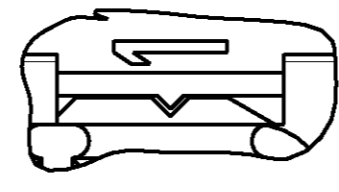
LOC		DIST		REVISIONS			
P	LTR	DESCRIPTION	DATE	DWN	APVD		
AP	-	D1	REVISED PER ECO-11-005139	19MAR11	RK	HMR	



SECTION A-A



SECTION B-B

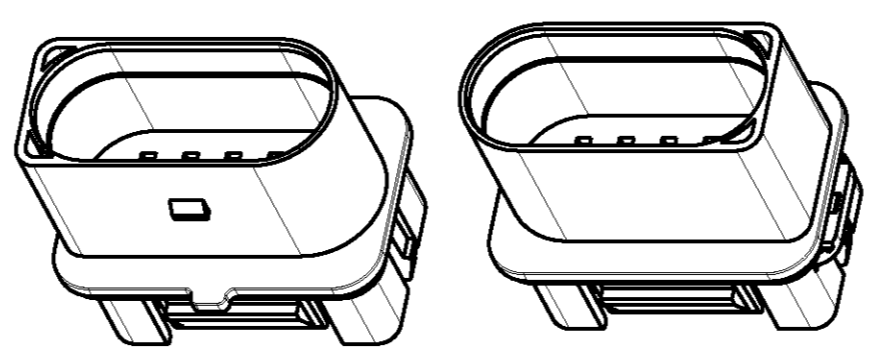


DETAIL X  
 SCALE 5:1  
 AS PEÇAS SÃO FORNECIDAS  
 COMO MOSTRADAS.  
 THE PARTS MUST BE  
 SUPPLIED AS SHOWN.

- 1 - USAR TERMINAIS CONFORME DESENHO DE CLIENTE 1355364.
- 1 - USED WITH TERMINALS ACC. TO CUSTOMER DRAWING 1355364.
- 2 - USADO COM 493577.
- 3 - USED ON 493577.

GRAVAÇÃO MARKING
LOGOTIPO TE TE LOGO
CÓDIGO PAÍS PRODUTOR MANUFACTURER COUNTRY CODE
NOMENCLATURA MATERIAL MATERIAL NOMENCLATURE
NÚMERO COMPONENTE TE CONNECTIVITY TE CONNECTIVITY COMPONENT NUMBER
NÚMERO CAVIDADE CAVITY NUMBER
IDENTIFICAÇÃO CIRCUITO CIRCUIT IDENTIFICATION
NÚMERO PEÇA CLIENTE CUSTOMER PART NUMBER
REV. + LETRA REV.DES. REV. + DWG REV.LETTER

REQ. PER ASSY	DESCRIPTION	MATERIAL	FINISH
1 - 4	ORING	SILICONE	NATURAL
- 1 3	ORING	NBR	PRETO / BLACK
1 1 2	SPACER, 10 POSN. J.P.TIMER TAB.	PBT+10% FV/GF	VIOLETA / VIOLET
1 1 1	HSG., 10 POSN. J.P.TIMER, TAB.	PA 6.6+25% FV/GF	PRETO / BLACK



PERSPECTIVE VIEWS  
 SCALE 1:1

DIMENSIONS: mm		TOLERANCES UNLESS OTHERWISE SPECIFIED:		DWN M.R.BRIZ 10AUG98					
		0 PLC ± 1 PLC ±0.3 2 PLC ± 3 PLC ± 4 PLC ±		CHK P.L.FARIA 25SEP98				NAME HSG. ASS'Y 10 POSN. J. P. TIMER TAB	
MATERIAL SEE TABLE		FINISH SEE TABLE		APVD P.R.SILVA 25MAY98				SIZE A2 CAGE CODE 00779 DRAWING NO. C-493571	
CUSTOMER DRAWING				SCALE 2:1		SHEET 1 OF 1 REV D1			