



Chipsmall Limited consists of a professional team with an average of over 10 year of expertise in the distribution of electronic components. Based in Hongkong, we have already established firm and mutual-benefit business relationships with customers from,Europe,America and south Asia,supplying obsolete and hard-to-find components to meet their specific needs.

With the principle of "Quality Parts,Customers Priority,Honest Operation,and Considerate Service",our business mainly focus on the distribution of electronic components. Line cards we deal with include Microchip,ALPS,ROHM,Xilinx,Pulse,ON,Everlight and Freescale. Main products comprise IC,Modules,Potentiometer,IC Socket,Relay,Connector.Our parts cover such applications as commercial,industrial, and automotives areas.

We are looking forward to setting up business relationship with you and hope to provide you with the best service and solution. Let us make a better world for our industry!



## Contact us

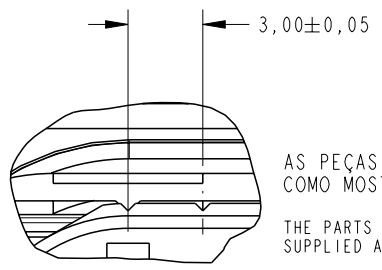
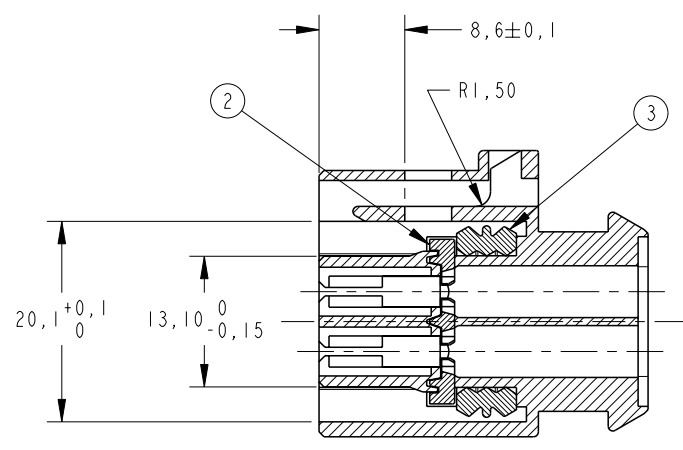
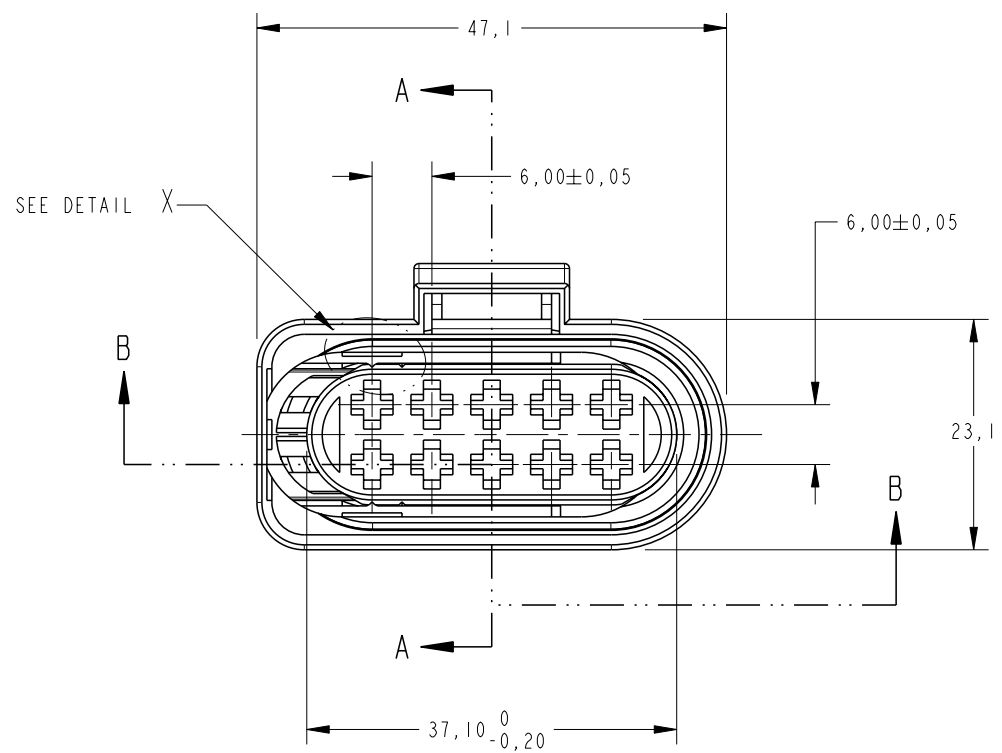
Tel: +86-755-8981 8866 Fax: +86-755-8427 6832

Email & Skype: info@chipsmall.com Web: www.chipsmall.com

Address: A1208, Overseas Decoration Building, #122 Zhenhua RD., Futian, Shenzhen, China

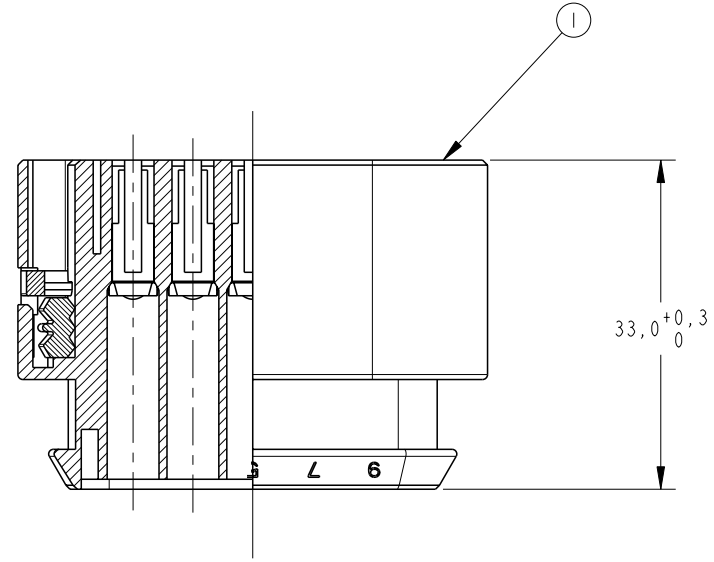


LOC	DIST	REVISIONS			
P	LTR	DESCRIPTION	DATE	DWN	APVD
AP	-	E3 REVISED DESIGN ECO-11-009958	29JUN2011	NCL	MG

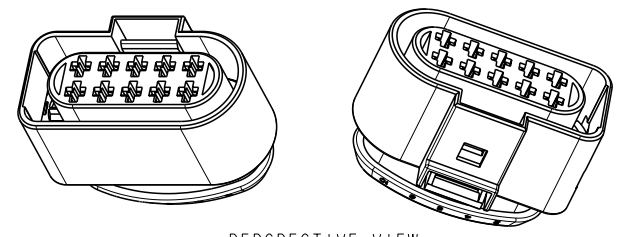


DETAIL X  
SCALE 5:1

AS PEÇAS SÃO FORNECIDAS COMO MOSTRADAS.  
 THE PARTS MUST BE SUPPLIED AS SHOWN.



SECTION B-B



PERSPECTIVE VIEW  
SCALE 1:1

GRAVAÇÃO MARKING
LOGOTIPO TE TE LOGO
CÓDIGO PAÍS PRODUTOR MANUFACTURER COUNTRY CODE
NOMENCLATURA MATERIAL MATERIAL NOMENCLATURE
NÚMERO COMPONENTE TE CONNECTIVITY TE CONNECTIVITY COMPONENT NUMBER
NÚMERO CAVIDADE CAVITY NUMBER
IDENTIFICAÇÃO CIRCUITO CIRCUIT IDENTIFICATION
PAÍS PRODUTOR MANUFACTURER COUNTRY
REV+ LETRA REV.DA PEÇA REV.+ PART REV.LETTER

- ① - VER DESENHO DE CLIENTE RESTRITO 493577-1
- 2 - USAR TERMINAIS CONFORME DESENHO DE CLIENTE 1355047.
- 3 - CONTRA PEÇA TE CONNECTIVITY UTILIZADA, VEJA DESENHO PN 493571.
- 4 - CONTRA PEÇA REFERÊNCIA VEJA FOLHA 2 DE 2.

- ① - SEE RESTRICTED CUSTOMER DRAWING 493577-1
- 2 - USED WITH TERMINALS ACC. TO CUSTOMER DRAWING 1355047.
- 3 - FOR TE CONNECTIVITY MATING PART SEE PN DRAWING 493571.
- 4 - FOR REFERENCE MATING PART SEE SHEET 2 OF 2

REQ. PER ASS'Y	ITEM	DESCRIPTION	MATERIAL	FINISH
3	1	CONNECTOR SEAL	SILICONE	LARANJA/ORANGE
1	2	SLIDING LOCK, 10 POSN. J.P.TIMER RCPT.	PBT+10% FV /GF	VIOLETA/VIOLET
1	1	HSG., 10 POSN. J.P.TIMER, RCPT	PBT	PRETO/BLACK

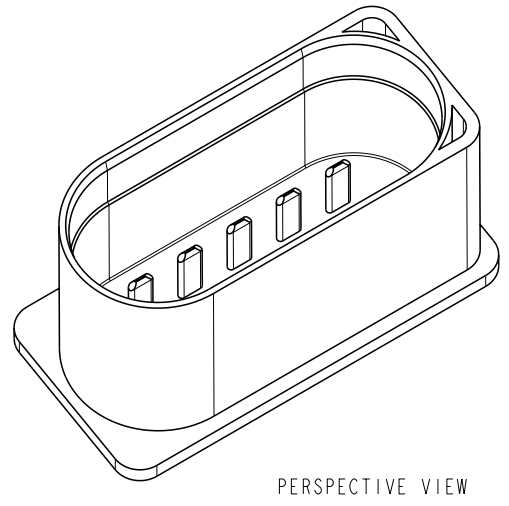
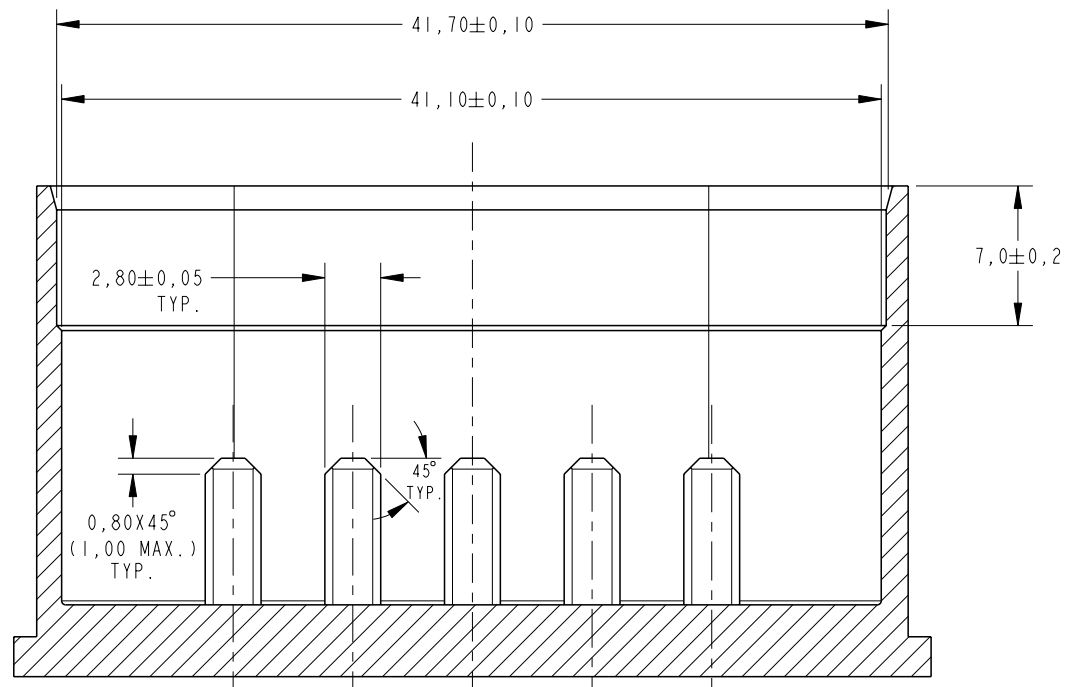
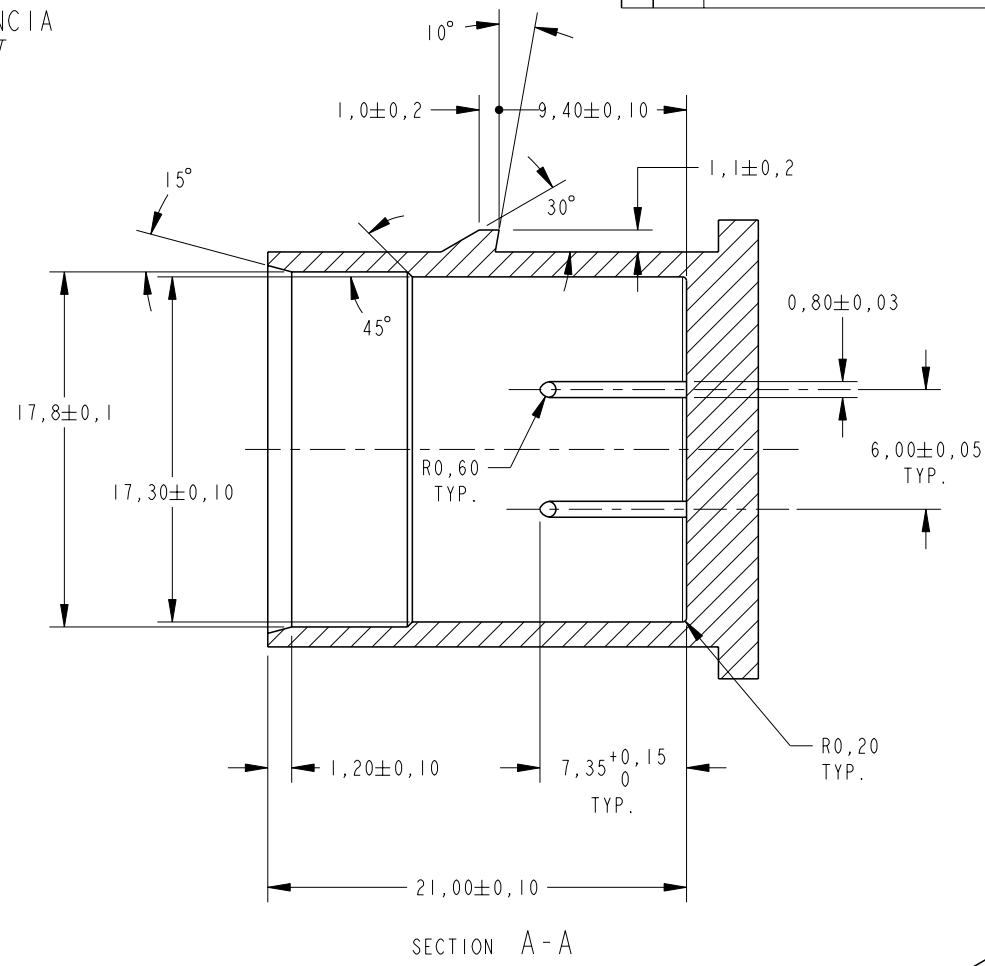
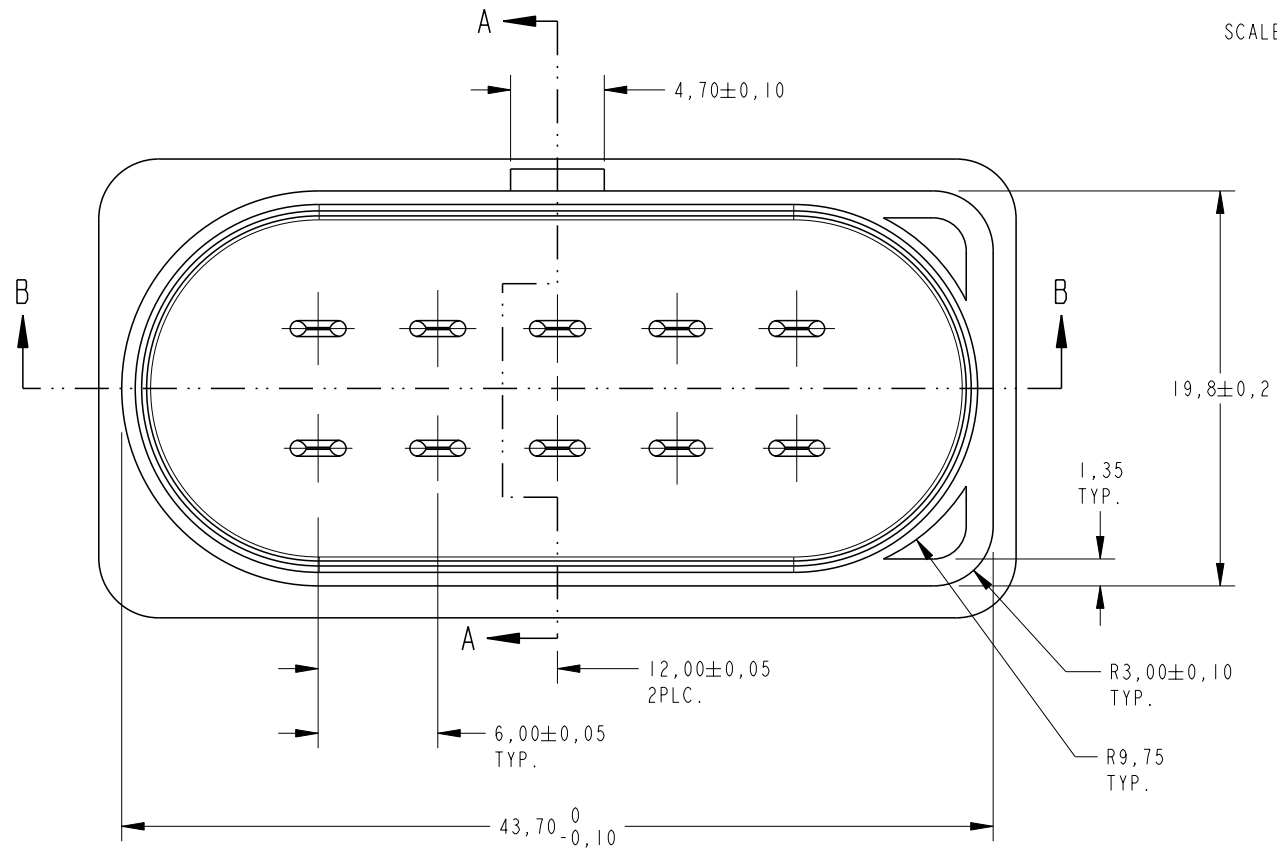
  

THIS DRAWING IS A CONTROLLED DOCUMENT.		DWN N.C.LAPRESA 17JUN99	<b>STE</b> TE Connectivity
DIMENSIONS: mm		CHK P.L.FARIA 17JUN99	
TOLERANCES UNLESS OTHERWISE SPECIFIED:		APVD P.R.SILVA 17JUN99	
0 PLC ±		NAME HSG., 10 POSN. J.P.TIMER, RCPT	
1 PLC ±0,2		PRODUCT SPEC -	SIZE CAGE CODE DRAWING NO RESTRICTED TO
2 PLC ±		APPLICATION SPEC -	A2 00779 ©-493577 -
3 PLC ±		WEIGHT -	SCALE 2:1 SHEET 1 OF 2 REV E3
4 PLC ±		MATERIAL SEE TABLE	
ANGLES ±1°		FINISH SEE TABLE	

493577

Loc	DIST	REVISIONS			
P	LTR	DESCRIPTION	DATE	DWN	APVD
AP	-	SEE SHEET 1	-	-	-

CONTRA PEÇA REFERÊNCIA  
 REFERENCE MATING PART  
 SCALE 4:1



THIS DRAWING IS A CONTROLLED DOCUMENT.		DWN N.C.LAPRESA 17JUN99	TE Connectivity HSG., 10 POSN. J.P.TIMER, RCPT	RESTRICTED TO
DIMENSIONS: mm		CHK P.L.FARIA 17JUN99		
TOLERANCES UNLESS OTHERWISE SPECIFIED		APVD P.R.SILVA 17JUN99		
0 PLC ± 0,2 1 PLC ± 0,1 2 PLC ± 0,1 3 PLC ± 0,1 4 PLC ± 0,1 ANGLES ± 1° FINISH		PRODUCT SPEC - APPLICATION SPEC - WEIGHT - CUSTOMER DRAWING		
MATERIAL SEE TABLE		SCALE 2:1	SIZE A2	CAGE CODE 00779
		SEE TABLE	DRAWING NO. 493577	SHEET 2 OF 2
			REV E3	

493577