



Chipsmall Limited consists of a professional team with an average of over 10 year of expertise in the distribution of electronic components. Based in Hongkong, we have already established firm and mutual-benefit business relationships with customers from,Europe,America and south Asia,supplying obsolete and hard-to-find components to meet their specific needs.

With the principle of “Quality Parts,Customers Priority,Honest Operation,and Considerate Service”,our business mainly focus on the distribution of electronic components. Line cards we deal with include Microchip,ALPS,ROHM,Xilinx,Pulse,ON,Everlight and Freescale. Main products comprise IC,Modules,Potentiometer,IC Socket,Relay,Connector.Our parts cover such applications as commercial,industrial, and automotives areas.

We are looking forward to setting up business relationship with you and hope to provide you with the best service and solution. Let us make a better world for our industry!



Contact us

Tel: +86-755-8981 8866 Fax: +86-755-8427 6832

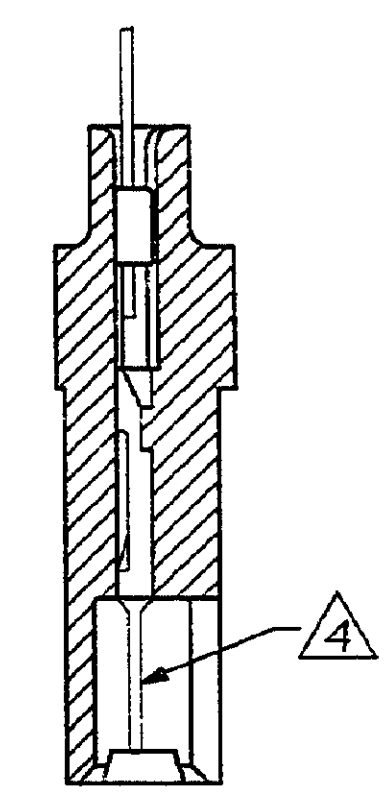
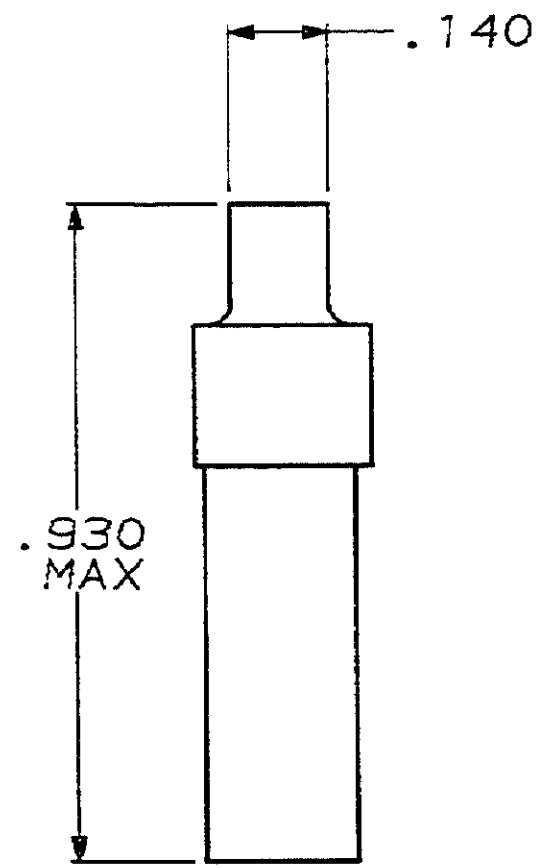
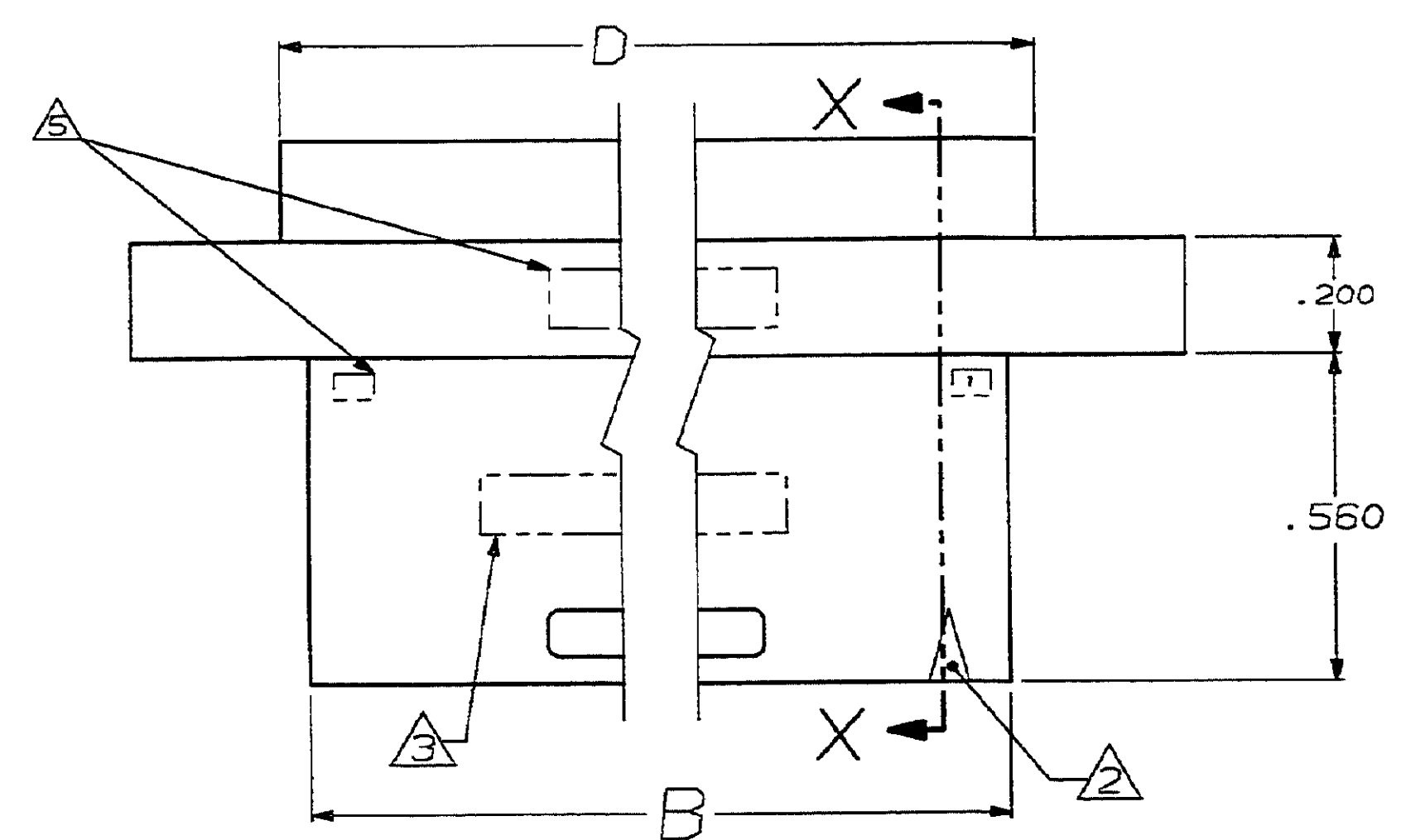
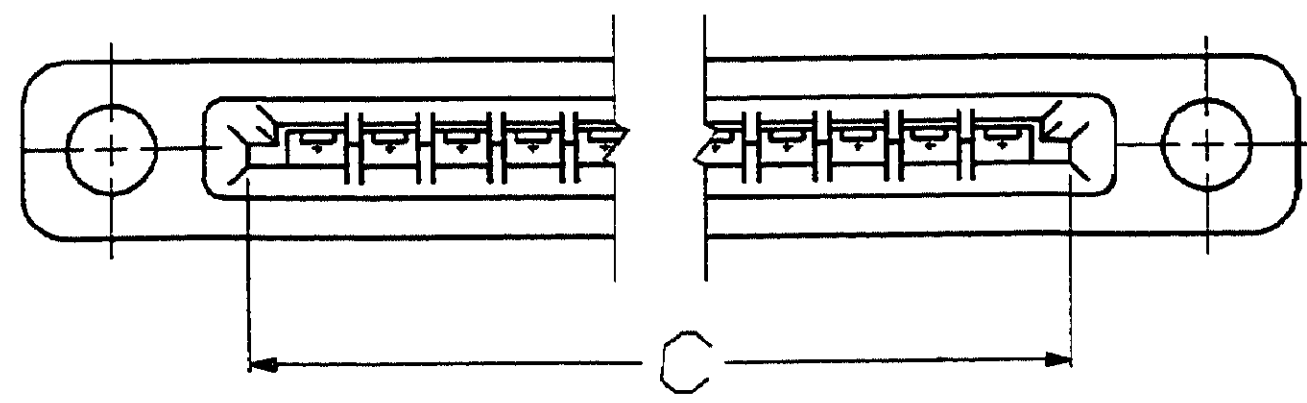
Email & Skype: info@chipsmall.com Web: www.chipsmall.com

Address: A1208, Overseas Decoration Building, #122 Zhenhua RD., Futian, Shenzhen, China

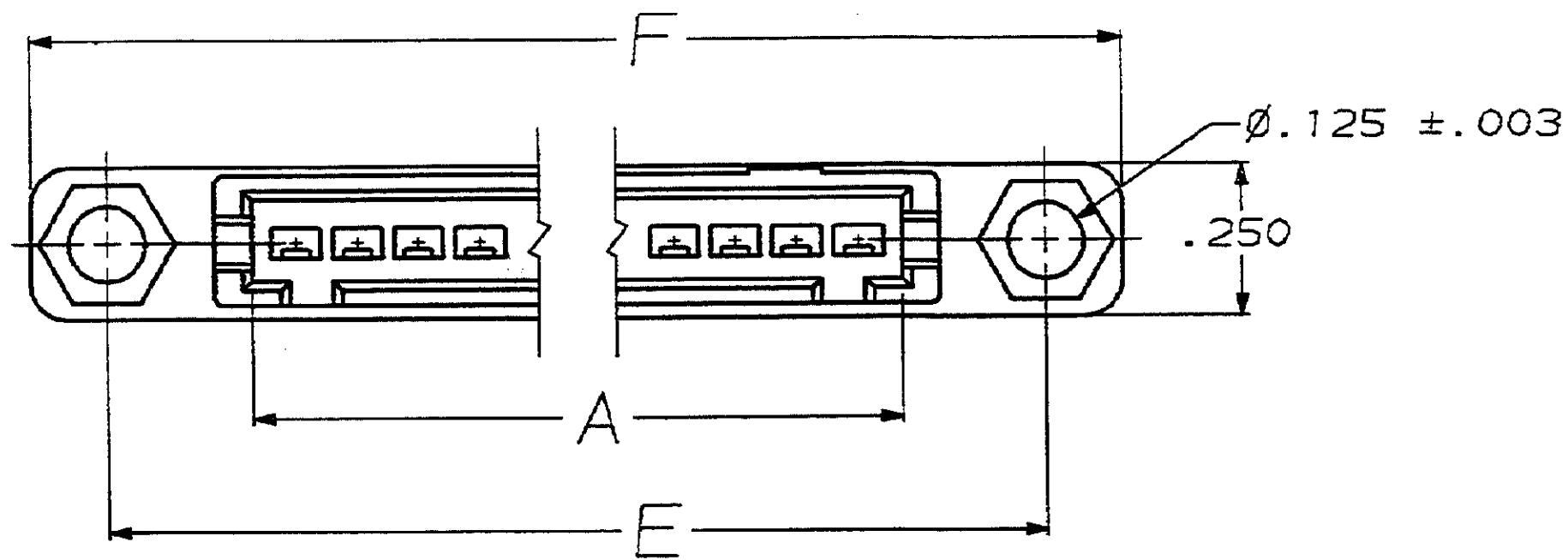


REV. NO.		DATE		DESCRIPTION		DATE	APPD.
85	AR	39		D	REDAWN PER ECN AR 2252	1/17/89	KIH
				E	REV PER ECN 803782	4-2-90	JFY

- HOUSING WILL ACCOMMODATE FLEXIBLE FLAT CONDUCTOR CABLE
 .050 OR .062 WIDE CONDUCTORS ON .100 CENTERS AND/OR #32-22 AWG
 WIRE WITH INSULATION RANGE .040-.089 DIA.
- △ CAVITY IDENTIFICATION FOR FIRST POSITION.
 - △ AMP TRADEMARK MOLDED IN AREA SHOWN
 - △ PIN CONTACTS MUST BE ORDERED SEPARATELY.
 - △ CUSTOMER PART NO, FIRST & LAST POSITION NO TO BE INK STAMPED
 WITH WHITE INK, LOCATED APPROXIMATELY AS SHOWN.



SECTION X-X
 CRIMPED CONTACT SHOWN
 FOR REF ONLY



713W72120	1.760	1.510	1.250	1.126	1.160	1.040	9	10	494031-4
713W72020	1.260	1.010	.750	.626	.660	.540	4	5	494031-2
CUSTOMER PART NUMBER	F	E	D	C	B	A	NO. OF SPACES	NO. OF POSN	PART NO

DO NOT SCALE PRINT. UNLESS SPECIFIED DIMENSIONS IN INCHES TOLERANCES ON: 2 PLC DEC ± - 3 PLC DEC ± .005 ANGLES ± -	DR 1/17/89 KATE HELM CHK 3-3-89 D.ROCKER APPD 3-3-89 G.D.MILLER APPD 3-3-89 W.PARKER PRODUCT SPEC -	AMP AMP INCORPORATED Harrisburg, Pa. 17105
MATERIAL THERMOPLASTIC FLAME RETARDANT COLOR: BLACK	APPLICATION SPEC - WEIGHT -	NAME HSG, PIN, SHROUDED, W/MTG EARS, .100¢, FFC
FINISH -	SIZE D	FSCM NO 00779
	SCALE 4:1	DRAWING NO 494031
		SHEET TSNOF TOF