



Chipsmall Limited consists of a professional team with an average of over 10 year of expertise in the distribution of electronic components. Based in Hongkong, we have already established firm and mutual-benefit business relationships with customers from,Europe,America and south Asia,supplying obsolete and hard-to-find components to meet their specific needs.

With the principle of “Quality Parts,Customers Priority,Honest Operation,and Considerate Service”,our business mainly focus on the distribution of electronic components. Line cards we deal with include Microchip,ALPS,ROHM,Xilinx,Pulse,ON,Everlight and Freescale. Main products comprise IC,Modules,Potentiometer,IC Socket,Relay,Connector.Our parts cover such applications as commercial,industrial, and automotives areas.

We are looking forward to setting up business relationship with you and hope to provide you with the best service and solution. Let us make a better world for our industry!



Contact us

Tel: +86-755-8981 8866 Fax: +86-755-8427 6832

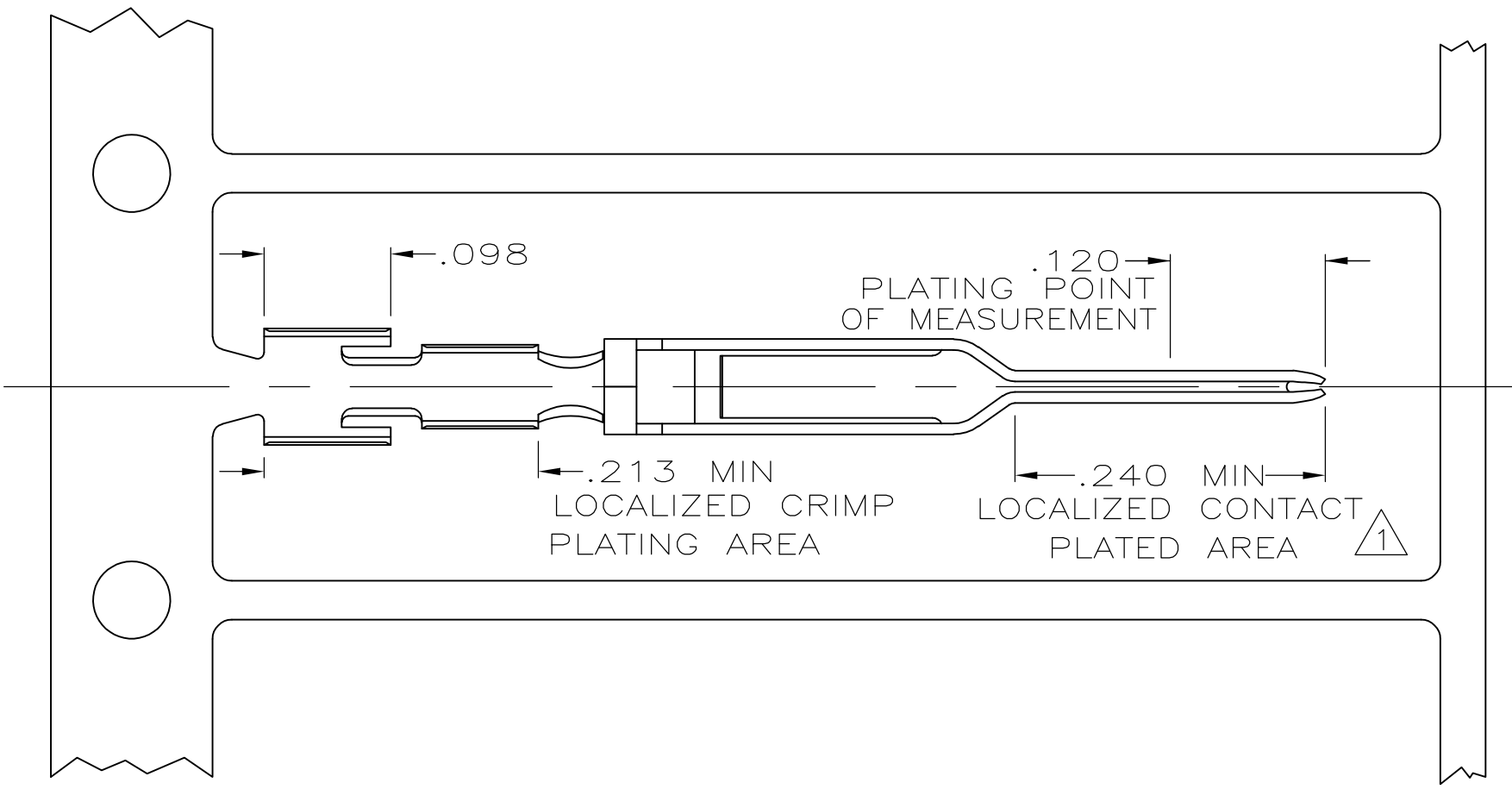
Email & Skype: info@chipsmall.com Web: www.chipsmall.com

Address: A1208, Overseas Decoration Building, #122 Zhenhua RD., Futian, Shenzhen, China



THIS DRAWING IS UNPUBLISHED. RELEASED FOR PUBLICATION
 © COPYRIGHT BY TYCO ELECTRONICS CORPORATION. ALL INTERNATIONAL RIGHTS RESERVED.

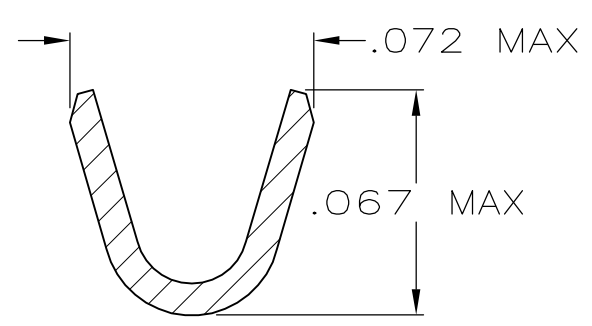
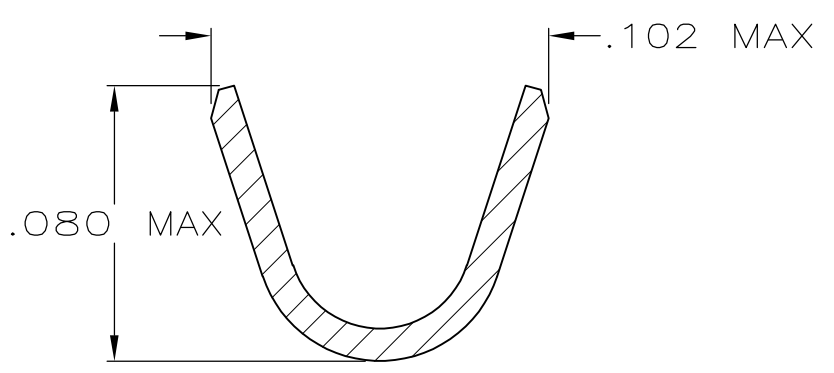
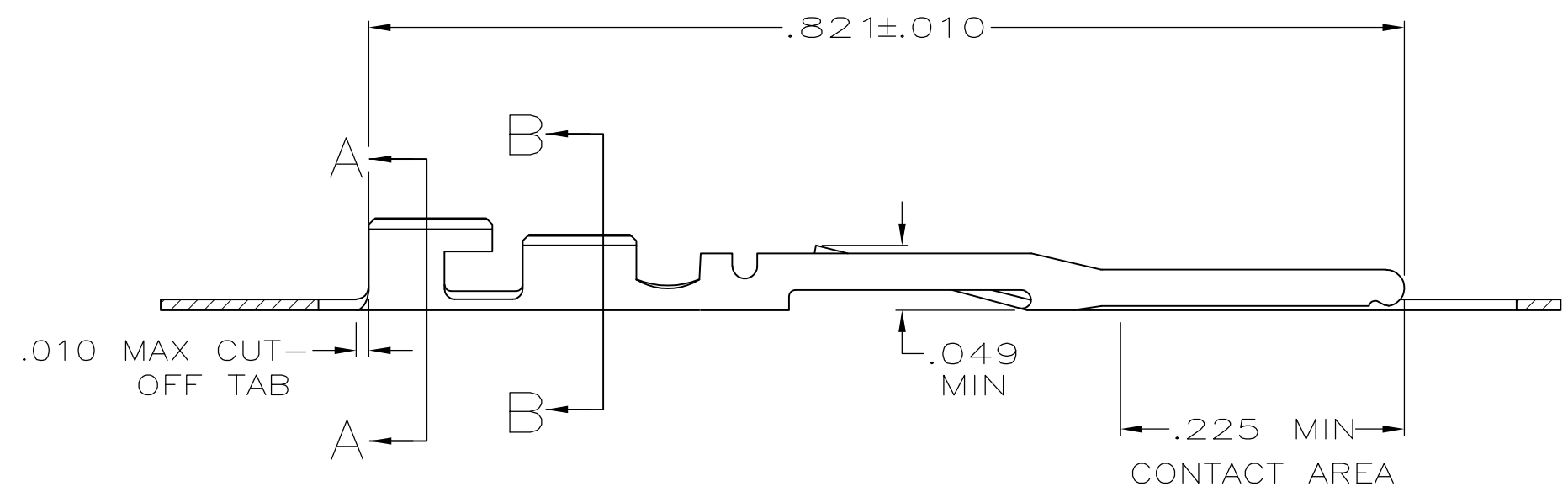
LOC	DIST	REVISIONS			
P	LTR	DESCRIPTION	DATE	DWN	APVD
GP	00	S	REV PER ECO-09-016698	11SEP2009	CR CR



1 FINISH: .000100 MIN THK BRIGHT TIN-LEAD IN LOCALIZED CRIMP PLATING AREA AND .000015 THK GOLD IN LOCALIZED CONTACT PLATING AREA OVER .000050 MIN THK NICKEL ON ENTIRE CONTACT.
 -OR-
 .000100 MIN THK BRIGHT TIN-LEAD IN LOCALIZED CRIMP PLATING AREA, GOLD FLASH OVER PALLADIUM-NICKEL, .000015 MIN TOTAL THK IN LOCALIZED CONTACT PLATING AREA, BOTH OVER .000050 MIN THK NICKEL ON ENTIRE CONTACT.

2. FOR 22-24 AWG WIRE WITH AN INSULATION RANGE OF .040-.056 DIA.

3 FINISH: .000100 MIN THK TIN IN LOCALIZED CRIMP PLATING AREA AND .000015 THK GOLD IN LOCALIZED CONTACT PLATING AREA OVER .000050 MIN THK NICKEL ON ENTIRE CONTACT.
 -OR-
 .000100 MIN THK TIN IN LOCALIZED CRIMP PLATING AREA, GOLD FLASH OVER PALLADIUM-NICKEL, .000015 MIN TOTAL THK IN LOCALIZED CONTACT PLATING AREA, BOTH OVER .000050 MIN THK NICKEL ON ENTIRE CONTACT.



OBSOLETE		9-494033-0
	3	494034-2 494033-3
	1	494034-1 494033-2
FINISH	LOOSE PIECE PART NO	PART NO

THIS DRAWING IS A CONTROLLED DOCUMENT.		DWN J. GALLUCCI 27JUN1989	Tyco Electronics Corporation Harrisburg, PA 17105-3608	
DIMENSIONS: INCHES		CHK D.L. ROCKER 29JUN1989	NAME CONTACT, PIN, .025 SQ, ROUND WIRE, .100 CENTERLINE, FFC	
TOLERANCES UNLESS OTHERWISE SPECIFIED:		APVD C. D. MILLER 29JUN1989	PRODUCT SPEC 108-9024	
0 PLC ± -		APPLICATION SPEC 114-16003	SIZE A2	CAGE CODE 00779
1 PLC ± -		WEIGHT -	DRAWING NO C=494033	RESTRICTED TO -
2 PLC ± -		CUSTOMER DRAWING		
3 PLC ± .005		SCALE 8:1	SHEET 1 of 1	REV S
4 PLC ± -				
ANGLES ± -				
FINISH SEE TABLE				

494033