



Chipsmall Limited consists of a professional team with an average of over 10 year of expertise in the distribution of electronic components. Based in Hongkong, we have already established firm and mutual-benefit business relationships with customers from,Europe,America and south Asia,supplying obsolete and hard-to-find components to meet their specific needs.

With the principle of “Quality Parts,Customers Priority,Honest Operation,and Considerate Service”,our business mainly focus on the distribution of electronic components. Line cards we deal with include Microchip,ALPS,ROHM,Xilinx,Pulse,ON,Everlight and Freescale. Main products comprise IC,Modules,Potentiometer,IC Socket,Relay,Connector.Our parts cover such applications as commercial,industrial, and automotives areas.

We are looking forward to setting up business relationship with you and hope to provide you with the best service and solution. Let us make a better world for our industry!



## Contact us

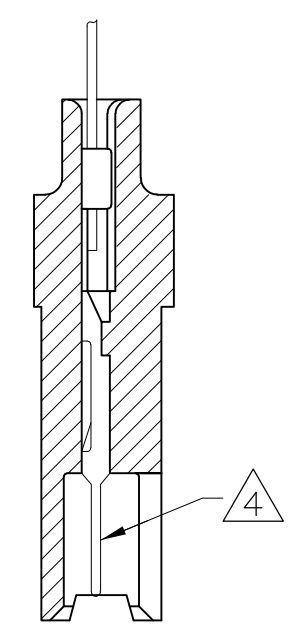
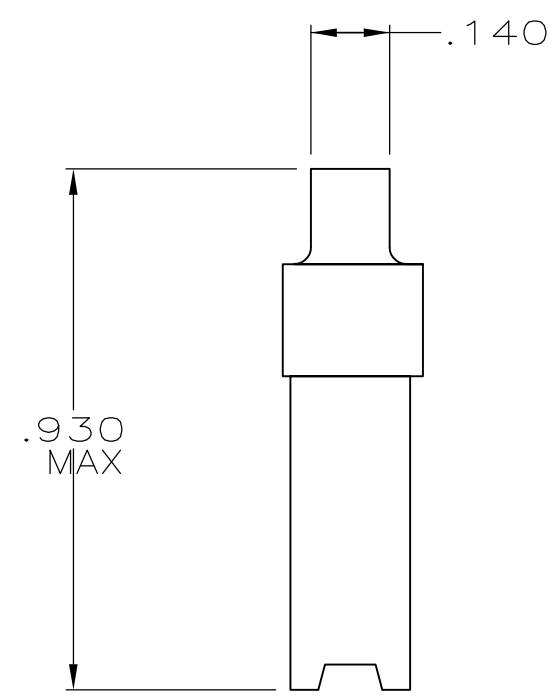
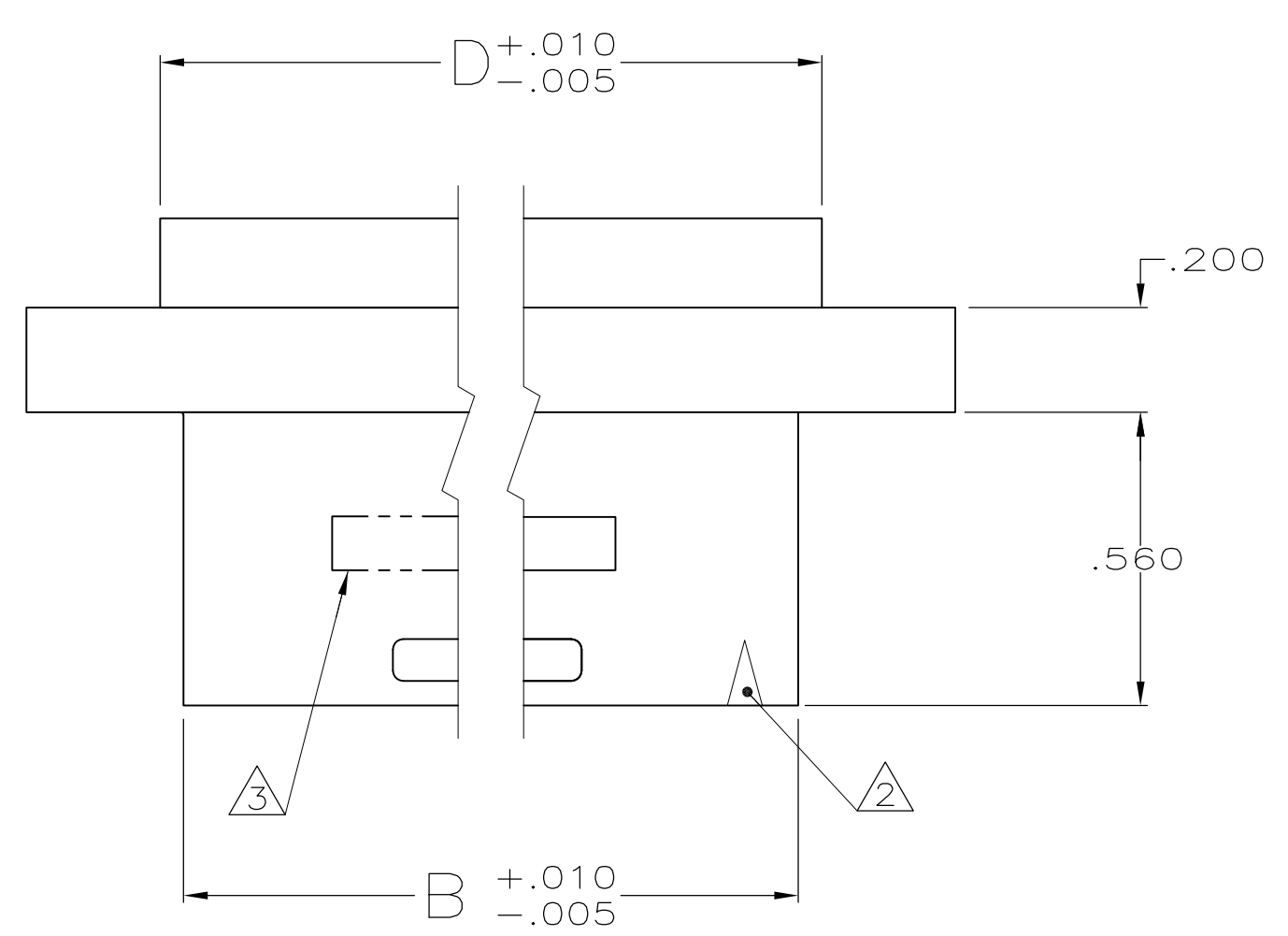
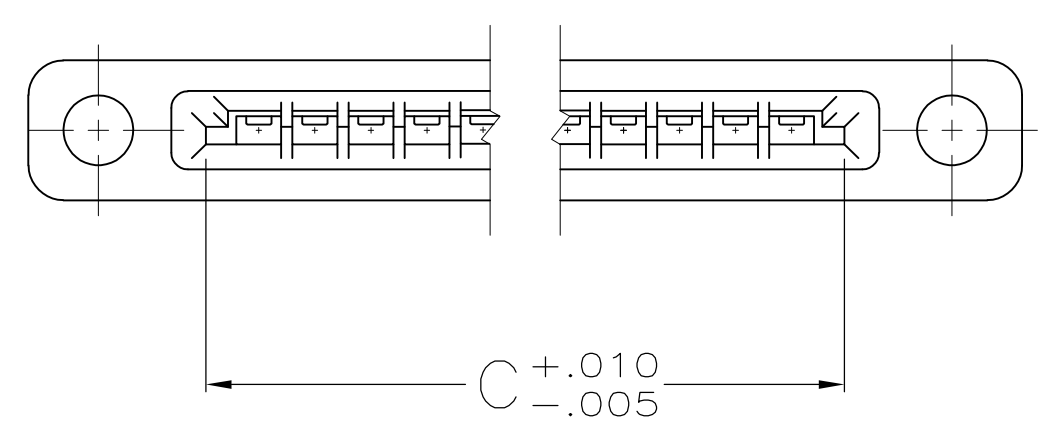
Tel: +86-755-8981 8866 Fax: +86-755-8427 6832

Email & Skype: info@chipsmall.com Web: www.chipsmall.com

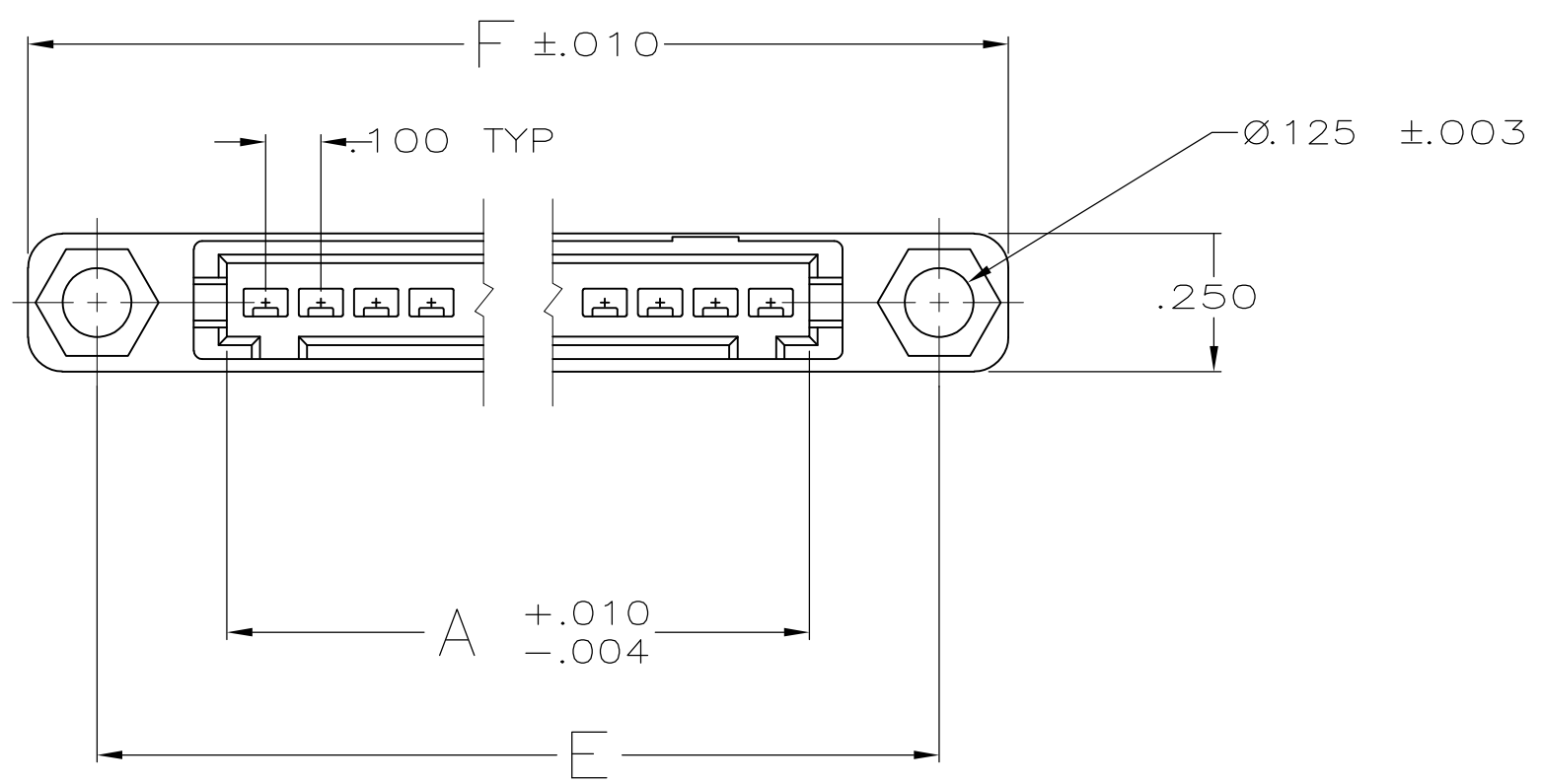
Address: A1208, Overseas Decoration Building, #122 Zhenhua RD., Futian, Shenzhen, China



MOD	LOC	DIST	REVISIONS						
85	AR	39	P	F	ZONE	LTR	DESCRIPTION	DATE	APPD
						M1	REVISED PER ECO-09-021510	09SEP09	AEG



CRIMPED CONTACT FOR REF ONLY



OBSOLETE	1.760	1.510	1.250	1.126	1.160	1.040	10	494073-2
	1.260	1.010	.750	.626	.660	.540	5	494073-1
	F	E	D	C	B	A	NO OF POSN	PART NO
DO NOT SCALE PRINT. UNLESS SPECIFIED DIMENSIONS IN INCHES TOLERANCES ON :	DR 3/9/89 KATE HELM		AMP INCORPORATED Harrisburg, Pa. 17105					
2 PLC DEC ± -	CHK 3-27-89 D.ROCKER							
3 PLC DEC ± .005	APPD 4-6-89 G.D.MILLER		NAME					
ANGLES ± -	APPD 4-6-89 W.PACKER		HOUSING, PIN, W/DETENT SLOTS AND MTG EARS, .100¢, FFC					
MATERIAL THERMOPLASTIC FLAME RETARDANT COLOR: BLACK	PRODUCT SPEC -		SIZE C		FSCM NO 00779		DRAWING NO 494073	
FINISH -	APPLICATION SPEC -		SCALE 4:1		SHEET 10F 1			
	WEIGHT -							

1. HOUSING WILL ACCOMMODATE FLEXIBLE FLAT CONDUCTOR CABLE .050 OR .062 WIDE CONDUCTORS ON .100 CENTERS AND/OR #32-22 AWG WIRE WITH INSULATION RANGE .025-.056 DIA.

- ② INDICATES FIRST POSITION.
- ③ AMP TRADEMARK MOLDED IN IN AREA SHOWN.
- ④ PIN CONTACTS MUST BE ORDERED SEPARATELY.
- ⑤ OBSOLETE PARTS: OBSOLETE CIS STREAMLINING PER D.RENAUD/D.SINISI