



Chipsmall Limited consists of a professional team with an average of over 10 year of expertise in the distribution of electronic components. Based in Hongkong, we have already established firm and mutual-benefit business relationships with customers from,Europe,America and south Asia,supplying obsolete and hard-to-find components to meet their specific needs.

With the principle of "Quality Parts,Customers Priority,Honest Operation,and Considerate Service",our business mainly focus on the distribution of electronic components. Line cards we deal with include Microchip,ALPS,ROHM,Xilinx,Pulse,ON,Everlight and Freescale. Main products comprise IC,Modules,Potentiometer,IC Socket,Relay,Connector.Our parts cover such applications as commercial,industrial, and automotives areas.

We are looking forward to setting up business relationship with you and hope to provide you with the best service and solution. Let us make a better world for our industry!



## Contact us

Tel: +86-755-8981 8866 Fax: +86-755-8427 6832

Email & Skype: info@chipsmall.com Web: www.chipsmall.com

Address: A1208, Overseas Decoration Building, #122 Zhenhua RD., Futian, Shenzhen, China



For use with IDT's VCXO-based Synchronization PLLs

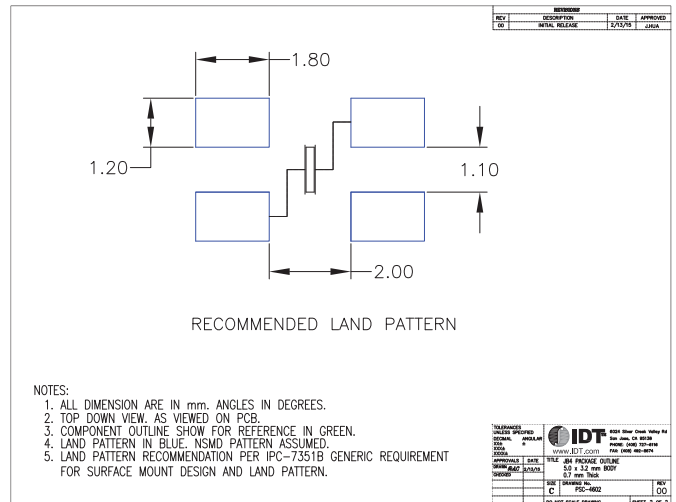
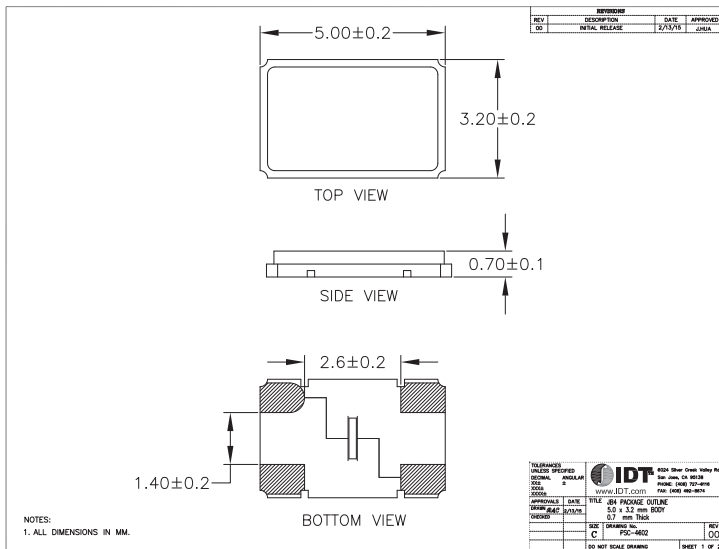
DATASHEET

### Specifications

Parameters	Ratings/Units
Frequency	24.8832 MHz
Resonance Mode	Fundamental
Frequency Tolerance @ 25°C	±10 PPM
Frequency Stability, ref @ 25°C Over Operating Temperature Range	±20 PPM
<b>Temperature Range:</b> Operating (TOPR) Storage (TSTG)	-40°C ~ +85°C -40°C ~ +85°C
Equivalent Series Resistance (ESR)	40 Ohms
Shunt Capacitance (Co)	7.0 pF
Load Capacitance (CL)	10 pF
Drive Level	0.2 mW
Pullability 7.5 ~ 14.8 pF	±80 PPM
Aging 10 years	±11 PPM
Maximum Soldering Temperature/Time	260°C / 10 seconds
Moisture Sensitivity Level (MSL)	1
Termination Finish	Au
Weight (Typ)	42.78 mg

Note: Dimensional drawing is for reference to critical specifications defined by size measurements. Certain non-critical visual attributes, such as side castellations, etc. may vary. The above specifications, having been carefully prepared and checked, is believed to be accurate at the time of publication; however, no responsibility is assumed by IDT for inaccuracies. All specifications subject to change without notice.

### Package Outline and Dimensions (JB4)



### Ordering Information

Part / Order Number	Shipping Packaging	Package	Temperature
495-24.8832-2JB41	Cut-Tape	5.0 x 3.2 x 0.7 mm JB4	-40 to +85 °C
495-24.8832-2JB418	Tape and Reel	5.0 x 3.2 x 0.7 mm JB4	-40 to +85 °C



**Corporate Headquarters**  
6024 Silver Creek Valley Road  
San Jose, CA 95138 USA

**Sales**  
1-800-345-7015 or 408-284-8200  
Fax: 408-284-2775  
www.IDT.com

**Tech Support**  
email: [clocks@idt.com](mailto:clocks@idt.com)

DISCLAIMER Integrated Device Technology, Inc. (IDT) and its subsidiaries reserve the right to modify the products and/or specifications described herein at any time and at IDT's sole discretion. All information in this document, including descriptions of product features and performance, is subject to change without notice. Performance specifications and the operating parameters of the described products are determined in the independent state and are not guaranteed to perform the same way when installed in customer products. The information contained herein is provided without representation or warranty of any kind, whether express or implied, including, but not limited to, the suitability of IDT's products for any particular purpose, an implied warranty of merchantability, or non-infringement of the intellectual property rights of others. This document is presented only as a guide and does not convey any license under intellectual property rights of IDT or any third parties.

IDT's products are not intended for use in applications involving extreme environmental conditions or in life support systems or similar devices where the failure or malfunction of an IDT product can be reasonably expected to significantly affect the health or safety of users. Anyone using an IDT product in such a manner does so at their own risk, absent an express, written agreement by IDT.

Integrated Device Technology, IDT and the IDT logo are registered trademarks of IDT. Product specification subject to change without notice. Other trademarks and service marks used herein, including protected names, logos and designs, are the property of IDT or their respective third party owners.

Copyright ©2015 Integrated Device Technology, Inc.. All rights reserved.