



Chipsmall Limited consists of a professional team with an average of over 10 year of expertise in the distribution of electronic components. Based in Hongkong, we have already established firm and mutual-benefit business relationships with customers from,Europe,America and south Asia,supplying obsolete and hard-to-find components to meet their specific needs.

With the principle of “Quality Parts,Customers Priority,Honest Operation,and Considerate Service”,our business mainly focus on the distribution of electronic components. Line cards we deal with include Microchip,ALPS,ROHM,Xilinx,Pulse,ON,Everlight and Freescale. Main products comprise IC,Modules,Potentiometer,IC Socket,Relay,Connector.Our parts cover such applications as commercial,industrial, and automotives areas.

We are looking forward to setting up business relationship with you and hope to provide you with the best service and solution. Let us make a better world for our industry!



Contact us

Tel: +86-755-8981 8866 Fax: +86-755-8427 6832

Email & Skype: info@chipsmall.com Web: www.chipsmall.com

Address: A1208, Overseas Decoration Building, #122 Zhenhua RD., Futian, Shenzhen, China





- Robust industrial square suspension arm system for system components
- Modular construction for individual components
- High loading capacity, large extension

Technical data

Material:

connecting tube: square steel tube
similar to DIN EN 10305-5, wall thickness 5 mm
components: DIN EN 1706 EN AC-AIS12 (Fe)

Seal:

CRand/or NBR

Painting:

powder coating

Colour:

tube galvanized
components: RAL 7043, traffic grey B
special colour on request

Ingress protection:

IP 65 to EN 60529

Free cable passage:















GT 50/2 16 cm² (40 x 40 mm)
GT 60/2 25 cm² (50 x 50 mm)
GT 80/2 49 cm² (70 x 70 mm)

Included in delivery:

Individual system components incl.
assembly material

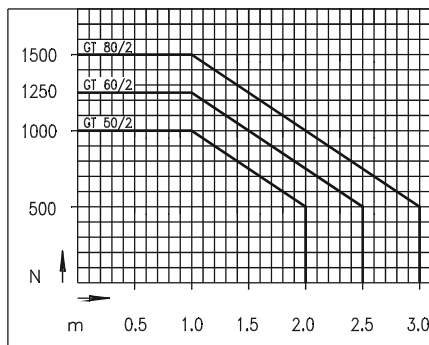
GT50/2; GT 60/2; GT 80/2

Product range

		GT 50/2		GT 60/2		GT 80/2	
		Order No.	Weight (kg)	Order No.	Weight (kg)	Order No.	Weight (kg)
Top-mounted joint		49.51 66 00	14.0	49.61 66 00	18.2	49.81 66 00	23.3
Foot stand, cast steel		49.51 74 00	3.0	49.61 74 00	3.9	49.81 74 00	6.0
Wall hinge		49.51 70 00	6.3	49.61 70 00	9.1	49.81 70 00	13.0
Adapter flange		49.51 79 00	5.0	49.61 79 00	6.0	49.81 79 00	6.5
Intermediate joint		49.51 67 00	6.2	49.61 67 00	8.9	49.81 67 00	12.7
Angle, cast steel		49.51 80 00	4.5	49.61 80 00	5.8	49.81 80 00	8.0
Angle coupling		49.51 75 00	2.2	49.61 75 00	3.2	49.81 75 00	5.7
Flange angle coupling		49.51 78 00	2.6	49.61 78 00	3.6	49.81 78 00	5.6
Coupling		49.61 73 00	1.8	49.61 73 00	2.4	49.81 73 00	3.4
Flange coupling		49.51 77 00	2.1	49.61 77 00	2.8	49.81 77 00	4.9
Console coupling DN		49.51 62 00	1.8	49.61 62 00	2.2	49.81 62 00	2.8
Console adapter 30°		49.51 76 00	0.8	49.61 76 00	1.0	49.81 76 00	1.7
Signal fitting		49.51 80 10	0.3	49.61 80 10	0.4	49.81 80 10	0.6
Adapter GTK on GT 80/2; GT 60/2						49.81 10 00	1.1
Column stand		49.51 00 04		49.61 00 04			on request

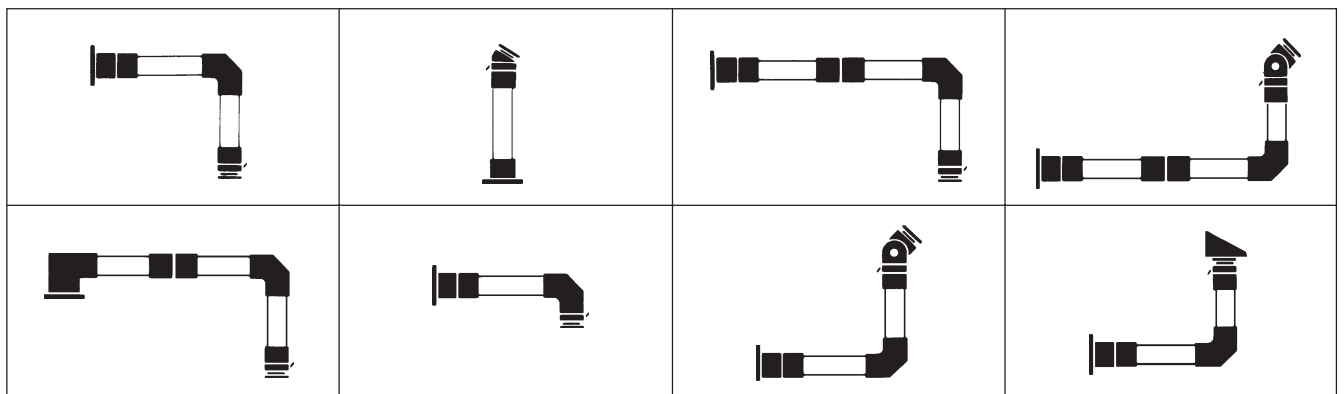
Connecting tube	GT 50/2		GT 60/2		GT 80/2	
	Order No.	Weight (kg)	Order No.	Weight (kg)	Order No.	Weight (kg)
Standard length: 0.5 m	10.09 42 20	3.45	10.09 42 23	4.25	10.09 42 27	5.80
Standard length: 1 m	10.09 42 21	6.90	10.09 42 24	8.50	10.09 42 28	11.60
Standard length: 2 m	10.09 42 22	13.80	10.09 42 25	17.00	10.09 42 29	23.20
Standard length: 3 m	10.09 42 42	20.70	10.09 42 26	25.50	10.09 42 30	34.80
Variable length (please specify)	10.09 41 56		10.09 41 57		10.09 41 59	

Load diagram



Note: the vertical length of the profile is responsible for the load of the complete suspension system (lever arm!). Further information for this request. The values in the above load diagram are guilty to an execution hanging or standing. The declarations of weight are a summary from installation weight, COMMANDER and all components and tubes between COMMANDER and angle.

Added system elements

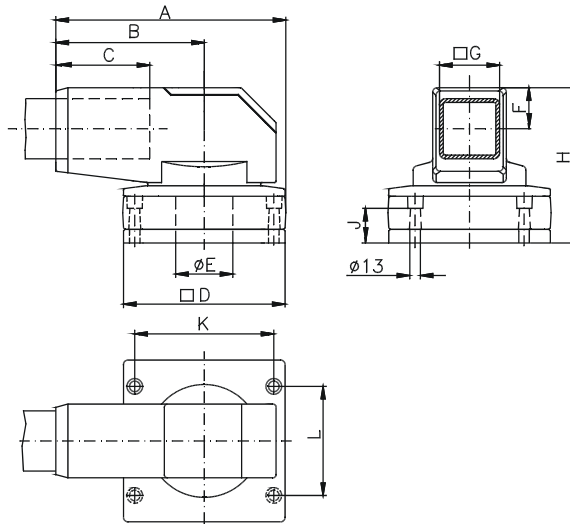


System components



Top-mounted joint

Cast steel swivel member for mounting onto assembly surfaces or for suspension (ceiling mounting). Assembly cover to ease cable installation. Tube clamping and alignment via olive rings. Swivelling range 310°, can be limited from between 0° to 270° (plain bearing), swivel force can be adjusted via bearing screw.

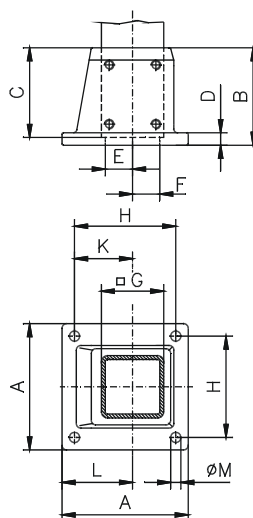


Type	Order No.	Weight	A	B	C	D	E	F	G	H	J	K	L
50/2	49.51 66 00	14.0	251	160	95	180	50	39.5	50	151	35	150	116
60/2	49.61 66 00	18.2	278	179.5	110	195	58	44.5	60	171	38	165	125
80/2	49.81 66 00	23.3	306	197.5	125	215	76	54.5	80	206	46	185	145



Foot stand

Cast steel element for floor mounting. Tube clamping and alignment via olive rings.



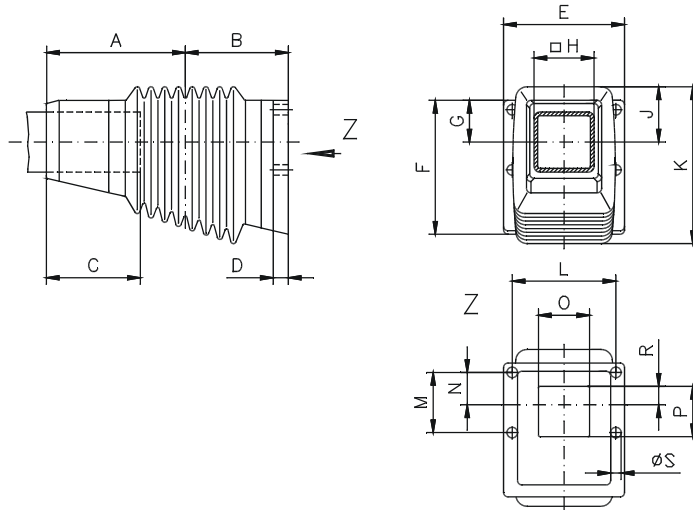
Type	Order No.	Weight	A	B	C	D	E	F	G	H	K	L	M
50/2	49.51 74 00	3.0	128	90	80	12	20.5	19.5	40	100	57	71	12
60/2	49.61 74 00	3.9	138	100	90	14	25.5	24.5	50	110	63	77	12
80/2	49.81 74 00	6.0	162	115	105	16	35.5	34.5	70	130	74.5	90.5	14

System components



Wall hinge

Steel elements with plain bearing. Tube damping and alignment via olive rings. Dust and damp protection via PVC bellows. Swivelling range 180°, can be limited to stepped degrees with stops, swivel force can be adjusted via bearing screw.

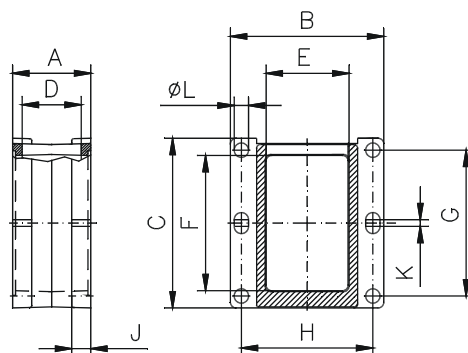


Type	Order No.	Weight	A	B	C	D	E	F	G	H	J	K	L	M	N	O	P	R	S
50/2	49.51 70 00	6.3	140	90	95	12	132	125	40	50	58	164	107	50	27.5	48	35	11	12
60/2	49.61 70 00	9.1	162	102	110	15	140	145	45	60	62	176	115	60	32.5	57	44.5	15	12
80/2	49.81 70 00	13.0	185	137	125	20	161	178	56	80	75	210	138	80	43.5	68	67	25	14



Adapter flange for wall hinge

Cast steel adapter for mounting between wall hinge and mounting surface. Removable intake plate allows cable entry from below.



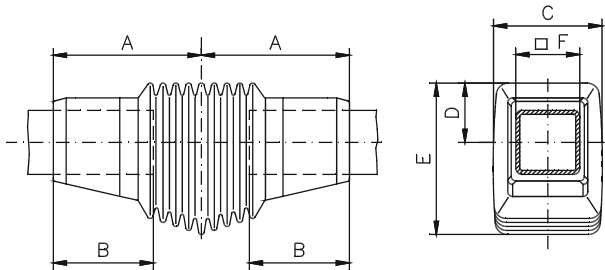
Type	Order No.	Weight	A	B	C	D	E	F	G	H	J	K	L
50/2	49.51 79 00	5.0	66	132	125	46	57	89	100	107	12	0	12
60/2	49.61 79 00	6.5	72	140	145	52	65	109	120	115	15	0	12
80/2	49.81 79 00	6.0	82	161	178	62	86	142	153	138	20	7	15

System components



Intermediate joint

Cast steel swivel member with plain bearing. Tube clamping and alignment via olive rings. Dust and damp protection via PVC corrugated duct. Swivelling range 180°, can be limited to stepped degrees with stops, swivel force can be adjusted via bearing screw.

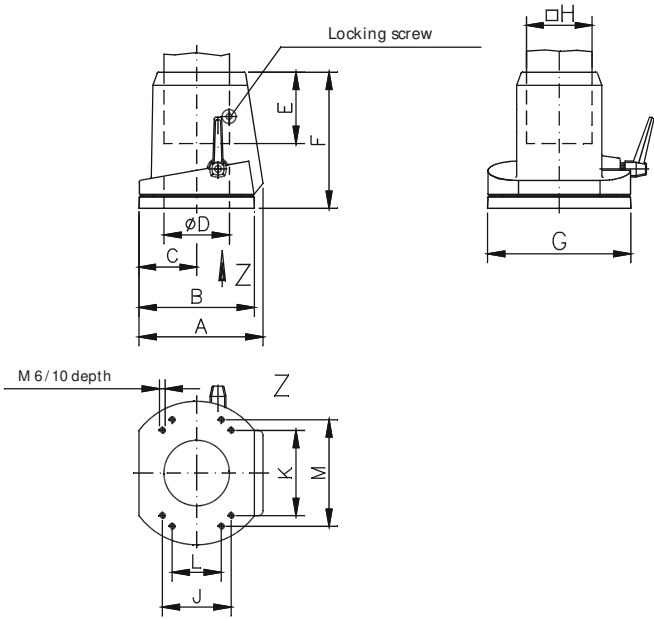


Type	Order No.	Weight	A	B	C	D	E	F
50/2	49.51 67 00	6.2	140	95	107	58	152	50
60/2	49.61 67 00	8.9	162	110	114	62	162	60
80/2	49.81 67 00	12.7	185	125	136	75	190	80



Flange coupling

Cast aluminium with steel inner tube. Fastened to connecting tube with olive rings. Additional safety screws for large loads. Permanent plain bearing with PA-bearing, adjustable swivel friction force. Swivelling range 325° can be stopped at any point with clamping lever, stops can limit movement in 25° steps. Elbow flange coupling cannot be used as top-mounted joint!



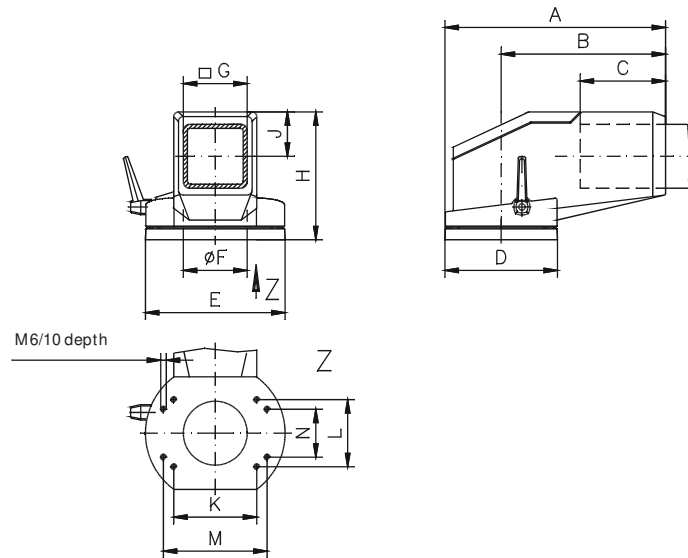
Type	Order No.	Weight	A	B	C	D	E	F	G	H	J	K	L	M
50/2	49.51 77 00	2.1	110	107	53.5	48	55	116	131	50	57	77	-	-
60/2	49.61 77 00	2.8	124	117	59.5	58	65	136.5	141	60	57	77	-	-
80/2	49.81 77 00	4.9	151	141	70.5	80	87	166	175	80	84	104	60	130

System components



Angle flange coupling

Combination of coupling and angle, swivel joint in cast aluminium. Fastened to connecting tube with olive rings. Permanent plain bearing with PA-bearing, adjustable swivel friction force. Swivelling range 325° can be stopped at any point with clamping lever, stops can limit movement in 25° steps. Angle flange coupling cannot be used as top-mounted joint!

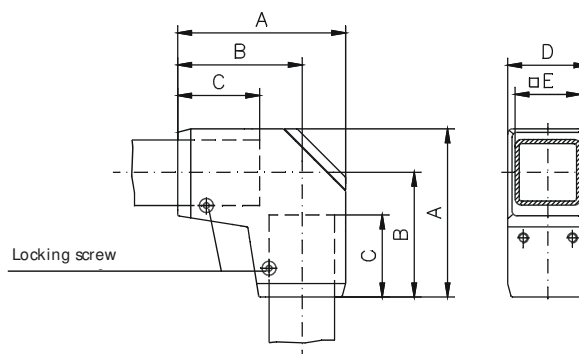


Type	Order No.	Weight	A	B	C	D	E	F	G	H	J	K	L	M	N
50/2	49.51 78 00	2.6	187.5	134	80	107	131	48	50	117.5	39.5	77	57	-	-
60/2	49.61 78 00	3.6	216.5	158	90	117	141	58	60	130.5	42.5	77	57	-	-
80/2	49.81 78 00	5.6	276.5	206	107	141	175	80	80	160	55.5	104	84	130	60



Angle

Cast steel angle joint 90°. Tube clamping and alignment via olive rings. Additional safety screws, particularly for vibration protection. Assembly cover eases cable installation.



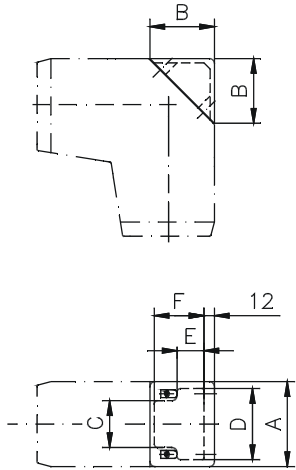
Type	Order No.	Weight	A	B	C	D	E
50/2	49.51 80 00	4.5	154	115	80	74	50
60/2	49.61 80 00	5.8	172	128	90	84	60
80/2	49.81 80 00	8.0	210	157	105	98	80

System components:



Signal fitting

Cast aluminium part for mounting indicator or light on the angle.

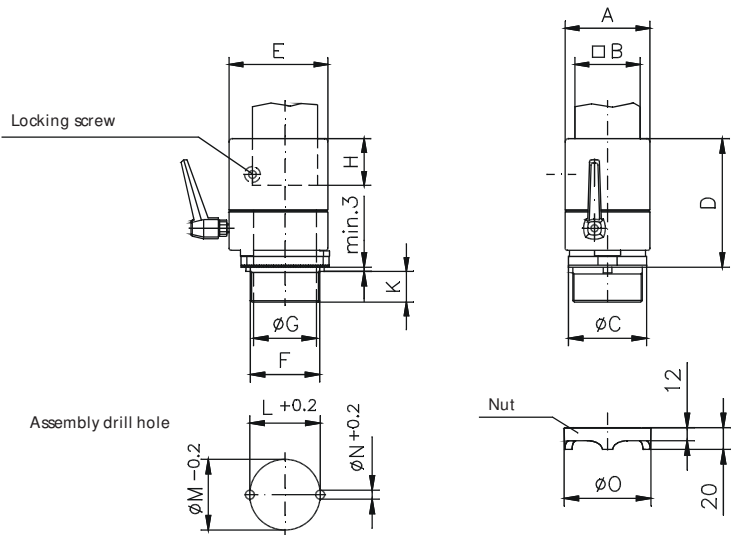


Type	Order No.	Weight	A	B	C	D	E	F
50/2	49.51 80 00	0.3	74	60	36	54	29	38
60/2	49.61 80 00	0.4	84	65	40	62	32	43
80/2	49.81 80 00	0.6	98	76	54	82	42	54



Coupling

Cast aluminium with steel inner tube. Fitting through enclosure hole. Fastened to connecting tube with olive rings. Additional safety screws for large loads. Permanent plain bearing with PA-bearing. Friction force of swivel movement is adjustable. Swivelling range 300° can be stopped at any point with clamping lever.



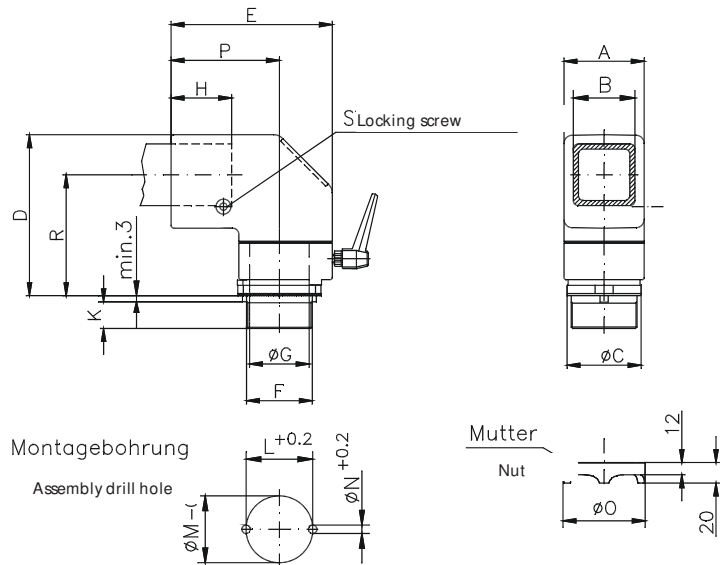
Type	Order No.	Weight	A	B	C	D	E	F	G	H	K	L	M	N	O
50/2	49.51 73 00	1.8	66	50	62	99.5	82	M50 x 2	44.5	32	31	50.8	51	8.2	65
60/2	49.61 73 00	2.4	78	60	72	118.5	91	M64 x 2	56	45	31	64.8	65	8.2	80
80/2	49.81 73 00	3.4	104	80	104	145.5	115	M90 x 2	80	49	34	90.8	91	10.2	111

System components



Angle coupling

Combination of coupling and angle, cast aluminium. Fitting through enclosure hole. Fastened to connecting tube with olive rings. Additional safety screws for large loads. Permanent plain bearing with PA-bearing. Friction force of swivel movement is adjustable. Swivelling range 300° can be stopped at any point with clamping lever.

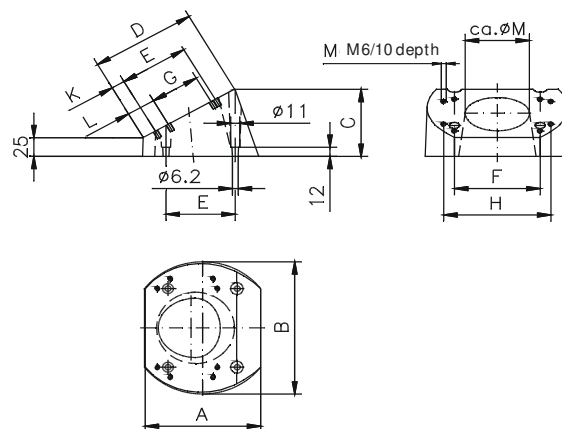


Type	Order No.	Weight	A	B	C	D	E	F	G	H	K	L	M	N	O	P	R
50/2	49.51 75 00	2.2	66	50	62	140	140	M50 x 2	44.5	47	31	50.8	51	8.2	65	95	104
60/2	49.61 75 00	3.2	78	60	72	157	157	M64 x 2	56	61	31	64.8	65	8.2	80	105.5	118
80/2	49.81 75 00	5.7	104	80	104	199	200	M90 x 2	80	72	34	90.8	91	10.2	111	137	149



Console adapter

Cast aluminium part with fixed 30° inclination for assembly between enclosure and flange coupling GT 50/2, GT 60/2 and GT 80/2.



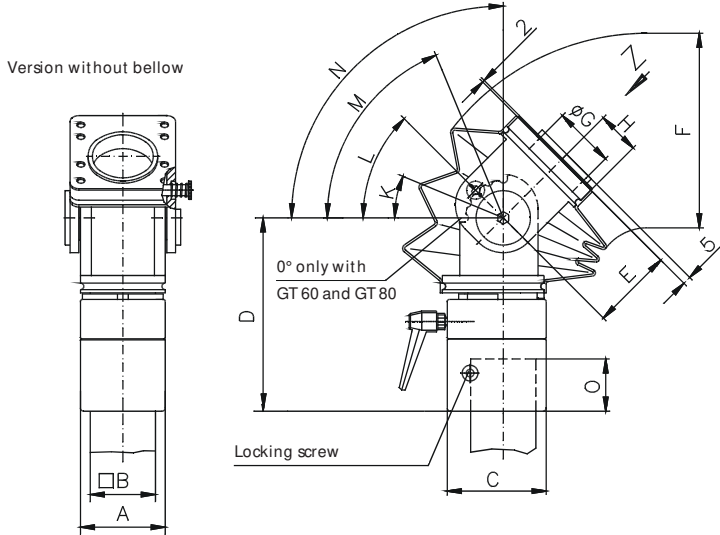
Type	Order No.	Weight	A	B	C	D	E	F	G	H	K	L	M
50/2	49.51 76 00	0.8	107	131	71	92	57	77	-	-	14	-	50
60/2	49.61 76 00	1.0	117	141	76	102	57	77	-	-	18	-	60
80/2	49.81 76 00	1.7	141	175	89	128	84	104	60	130	17	35	80

System components



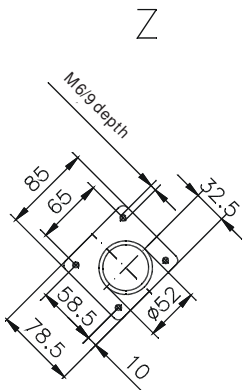
Console coupling

Cast aluminium with steel inner tube. Fastened to connecting tube with olive rings, and to enclosure with flange. Dust and damp protection via PVC bellow. Additional safety screws for large loads. Permanent plain bearing with PA-bearing, adjustable swivel friction force. Swivelling range 300° can be stopped at any point with clamping lever.

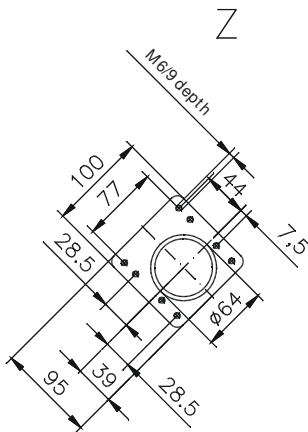


Type	Order No.	Weight	A	B	C	D	E	F	G	H	K	L	M	N	O
50/2	49.51 62 00	1.8	66	50	82	142	44	115 x 103	44.5	32.5	15°	32.5°	50°	-	32
60/2	49.61 62 00	2.2	78	60	91	178	75	180 x 160	56	39	22.5°	45°	67.5°	90°	45
80/2	49.81 62 00	2.8	104	80	115	212	84	210 x 180	80	55	22.5°	45°	67.5°	90°	49

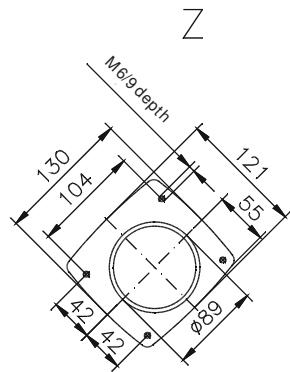
Flange dimensions for GT 50/2 console coupling



Flange dimensions for GT 60/2 console coupling



Flange dimensions for GT 80/2 console coupling



GT50/2: GT 60/2; GT 80/2



Column

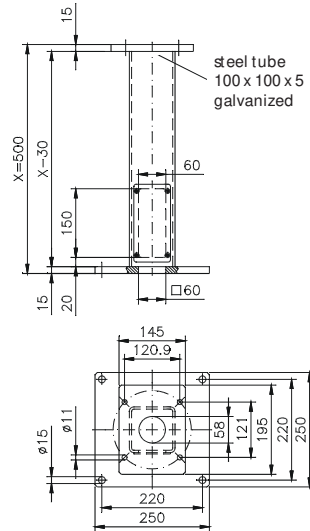
Sheet steel, painted, individual length including adapter plate for top mounted joint. At the base flange outlet max. length 2 m.

Order No.

49.51 00 04 8 GT 50/2 (specify total length)

49.61 00 04 8 GT 60/2 (specify total length)

on request GT 80/2



Adapter GTK on GT 80/2; GT 60/2

Order No. **49.81 10 00**

