



Chipsmall Limited consists of a professional team with an average of over 10 year of expertise in the distribution of electronic components. Based in Hongkong, we have already established firm and mutual-benefit business relationships with customers from,Europe,America and south Asia,supplying obsolete and hard-to-find components to meet their specific needs.

With the principle of “Quality Parts,Customers Priority,Honest Operation,and Considerate Service”,our business mainly focus on the distribution of electronic components. Line cards we deal with include Microchip,ALPS,ROHM,Xilinx,Pulse,ON,Everlight and Freescale. Main products comprise IC,Modules,Potentiometer,IC Socket,Relay,Connector.Our parts cover such applications as commercial,industrial, and automotives areas.

We are looking forward to setting up business relationship with you and hope to provide you with the best service and solution. Let us make a better world for our industry!



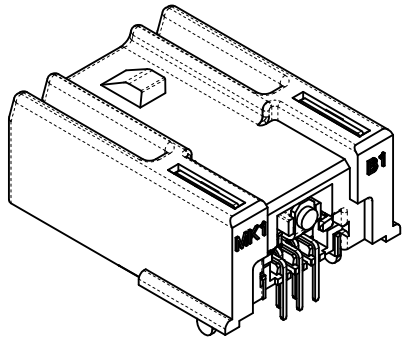
Contact us

Tel: +86-755-8981 8866 Fax: +86-755-8427 6832

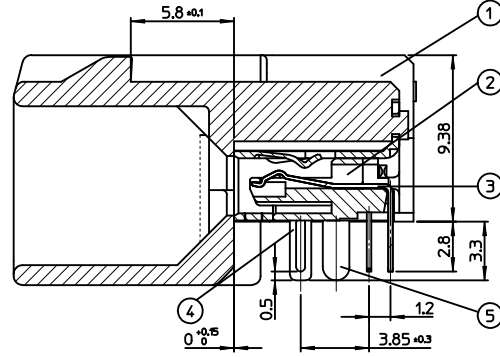
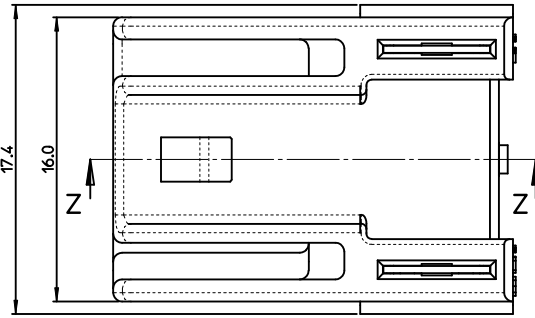
Email & Skype: info@chipsmall.com Web: www.chipsmall.com

Address: A1208, Overseas Decoration Building, #122 Zhenhua RD., Futian, Shenzhen, China





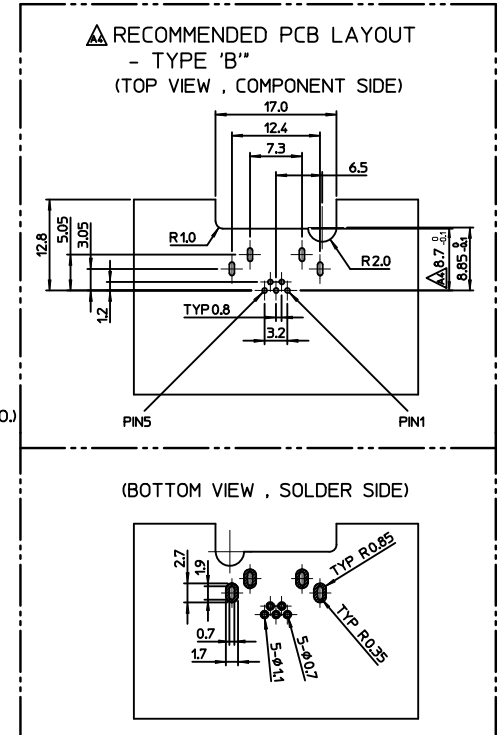
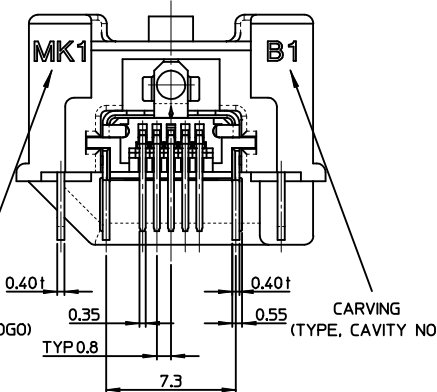
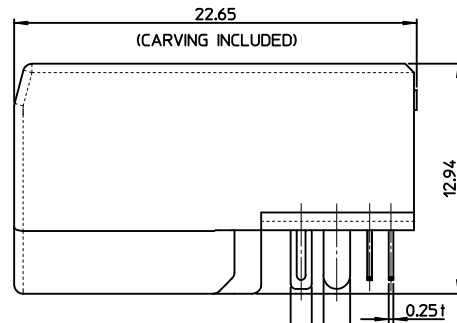
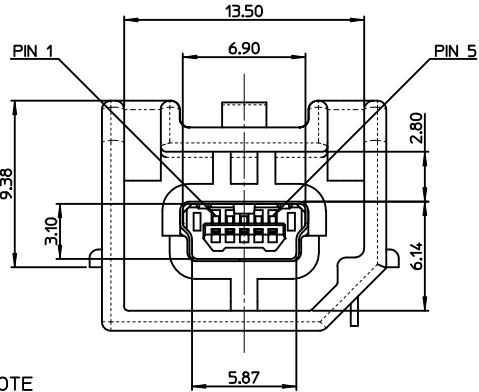
ISOMETRIC VIEW



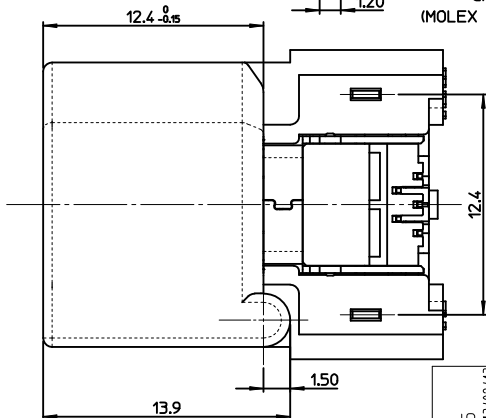
SECTION Z-Z

<PART LIST>

NO.	PART NAME	MATERIALS
①	SHROUD	LCP, glass-filled, UL94 V-0
②	REC. HOUSING	LCP, glass-filled, UL94 V-0
③	TERMINAL	COPPER ALLOY
④	SHIELD CASE	PHOSPHOR BRONZE
⑤	FITTING NAIL	BRASS



- NOTE
- MATES WITH :
(MOLEX SERIES NO. - 111014, 111015, 111005, 111041, 111019, 111020)
 - SHROUD GEOMETRY AND ASSEMBLY WITH USB MINI-B CONNECTOR ARE ACCORDING TO USCAR STD 999-U-USB-Z01
 - FINISHES
 - TERMINAL :
CONTACT AREA : GOLD 0.75µm MIN.
SOLDER TAIL AREA : TIN 3.8µm MIN.
UNDER PLATING : NI 1.25µm MIN.
 - SHIELD CASE :
3.0µm MIN. TIN OVER NI 1.0µm MIN.
 - FITTING NAIL :
3.0µm MIN. TIN OVER NI 1.0µm MIN.
 - UNLESS OTHERWISE SPECIFIED, TYPICAL RECOMMENDED PCB MANUFACTURING TOLERANCE IS ±0.05
 - PACKAGING IS TRAY :
(48 PCS/TRAY, 5 TRAY/TRAY BOX, 240 PCS/TRAY BOX, 960 PCS/CARTON BOX)
 - PRODUCT SPECIFICATION : PS-49616-001
 - PACKAGING INFORMATION : PK-49616-001
 - PCB THICKNESS : 1.6mm(REFERENCE)



<TABLE 1>

MATERIAL NO.	ORDER NO.	COLOR
496160715	49616-0715	GRAY

REVISED	DESCRIPTION
EC NO: KTR2013-0025 2013/02/13 DRWN:HM CHKD:BCY APPR:JCH	2013/02/13 2013/02/14
A4	

QUALITY SYMBOLS	GENERAL TOLERANCES (UNLESS SPECIFIED)
▽=0	mm INCH
▽=0	4 PLACES ± --- ± ---
	3 PLACES ± --- ± ---
	2 PLACES ± 0.15 ± ---
	1 PLACE ± 0.25 ± ---
	ANGULAR ± 3°
	DRAFT WHERE APPLICABLE MUST REMAIN WITHIN DIMENSIONS

DIMENSION STYLE		SCALE	DESIGN UNITS	THIRD ANGLE PROJECTION
MM ONLY		5:1	METRIC	☉
DRAWN BY	DATE	TITLE		
HTSONG	2008/04/25	HSAUTOLINK R/A HEADER TYPE-B		
CHECKED BY	DATE			
BCYOON	2008/04/25			
APPROVED BY	DATE			
EJ JUNG	2008/04/25			
MATERIAL NO.	DOCUMENT NO.			
SEE TABLE1	SD-49616-002			
SIZE	THIS DRAWING CONTAINS INFORMATION THAT IS PROPRIETARY TO MOLEX INCORPORATED AND SHOULD NOT BE USED WITHOUT WRITTEN PERMISSION			
A2				

MATERIAL NO.	DOCUMENT NO.	SHEET NO.
SEE TABLE1	SD-49616-002	1 OF 1