



Chipsmall Limited consists of a professional team with an average of over 10 year of expertise in the distribution of electronic components. Based in Hongkong, we have already established firm and mutual-benefit business relationships with customers from,Europe,America and south Asia,supplying obsolete and hard-to-find components to meet their specific needs.

With the principle of “Quality Parts,Customers Priority,Honest Operation,and Considerate Service”,our business mainly focus on the distribution of electronic components. Line cards we deal with include Microchip,ALPS,ROHM,Xilinx,Pulse,ON,Everlight and Freescale. Main products comprise IC,Modules,Potentiometer,IC Socket,Relay,Connector.Our parts cover such applications as commercial,industrial, and automotives areas.

We are looking forward to setting up business relationship with you and hope to provide you with the best service and solution. Let us make a better world for our industry!



## Contact us

Tel: +86-755-8981 8866 Fax: +86-755-8427 6832

Email & Skype: info@chipsmall.com Web: www.chipsmall.com

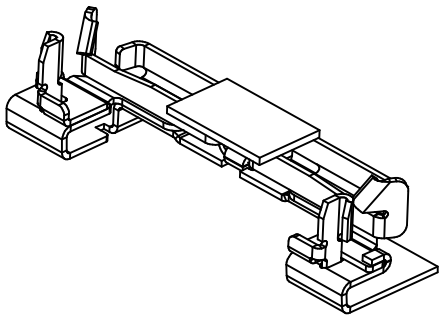
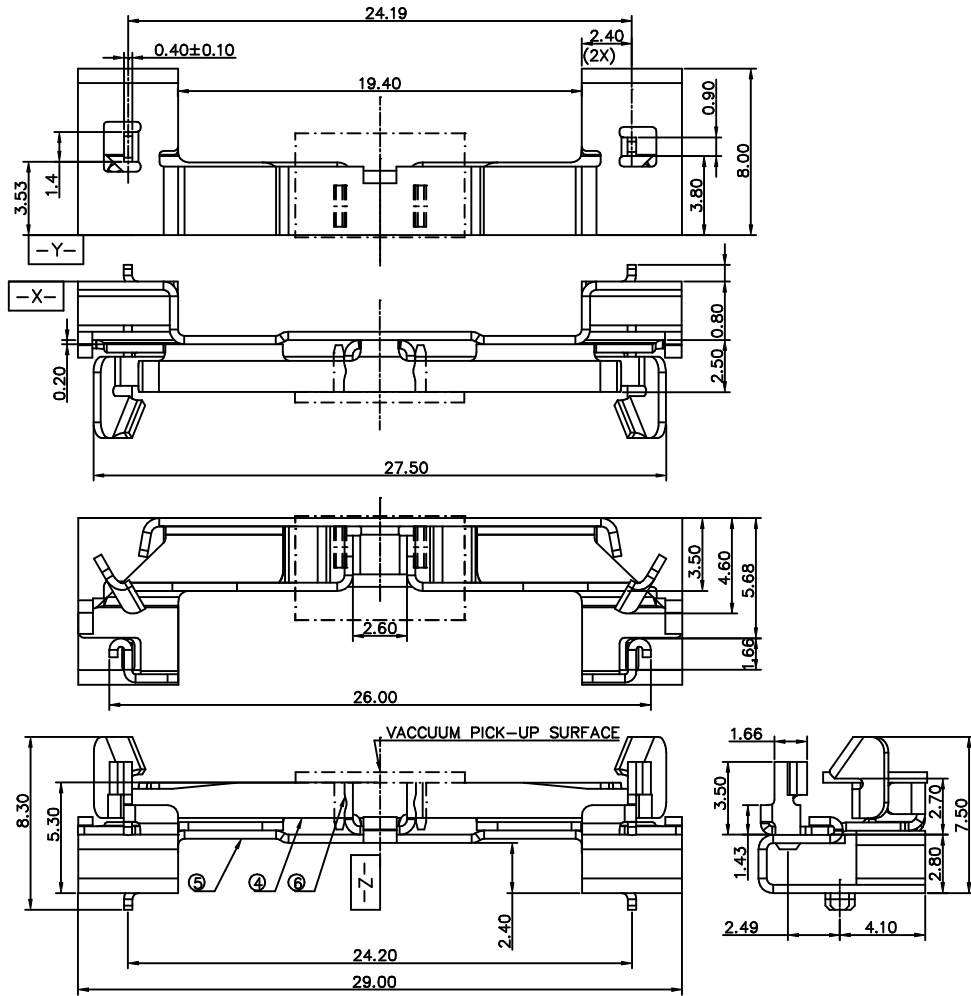
Address: A1208, Overseas Decoration Building, #122 Zhenhua RD., Futian, Shenzhen, China



IDEAS GENERATED DRAWING, DO NOT CHANGE BY HAND

REV.	ECN.	NO.	APPD.

A  
B  
C  
D  
E



SPECIFICATIONS:

- ELECTRICAL CHARACTERISTICS:
  - CURRENT RATING: 0.75 A MAX per power contact.
  - VOLTAGE RATING: 50 VAC per contact.
  - LOW LEVEL CONTACT RESISTANCE: 55mΩ max. initial, ΔR =20mΩ max.
  - INSULATION RESISTANCE: 500MΩ min. at 500 V DC.
  - DIELECTRIC WITHSTANDING VOLTAGE: 300 V AC (RMS).
  - INSERTION LOSS: f ≤1.25 GHz: ≤1dB; 1.25 <f≤3.75 GHz: ≤1.6x(f-1.25)+1dB
  - RETURN LOSS: f ≤1.3GHz: ≤-12dB; 1.3<f≤2GHz: ≤-7dB; 2<f≤3.75GHz: ≤-4dB
  - CROSSTALK NEXT: f≤1.25GHz: ≤-32dB; 1.25<f≤3.75GHz: ≤-(32-2.4x(f-1.25)) dB
  - TEMPERATURE RISE VERSUS CURRENT: <30°C at rated current per EIA-364-70A, method 2.
- MECHANICAL CHARACTERISTICS:
  - DURABILITY: 50 mating/unmating cycles.
  - MATING/UNMATING FORCE: 2.3 kgf max. per connector.
- ENVIRONMENTAL CHARACTERISTICS:
  - USEFUL FIELD LIFE: 5 years.
  - OPERATING TEMPERATURE: -40°C TO +80°C.
  - TEMPERATURE LIFE: Subject mated samples at 105±2°C for 120 hours per EIA-364-17, method A.
  - THERMAL SHOCK: Subject mated samples to 10 cycles between -55 to 85°C per EIA-364-32C, condition I.
  - CYCLIC TEMPERATURE & HUMIDITY: Subject mated samples to 24 cycles between 25°C at 80% RH to 65°C at 50% RH per EIA-364-31B.
  - VIBRATION: Subject mated samples to 20 to 500 Hz, 3.1 g RMS random excitation of 15 min. in each of the 3 axes and no discontinuity >1μs is found per EIA-364-28D, test condition VII, test condition letter D.
  - MECHANICAL SHOCK: Subject mated samples to 50% half-sine excitation of 11 ms duration and no discontinuity >1μs is found per per EIA-364-27B, condition A.
  - MIXED FLOWING GAS: Subject mated samples for 7 days per EIA-364-65, class IIA.
  - THERMAL DISTURBANCE: Subject mated samples to 10 cycles between 15 to 85°C.
- PLEASE CONTACT FOXCONN SALES REPRESENTATIVE TO VERIFY PRODUCT DETAILS & AVAILABILITY.

⑥	CAP	1	THERMOPLASTIC	UL94V-0, IVORY COLOR(IN ORDER TO PICK-UP,TAKE AWAY AFTER ASSEMBLY)
⑤	CLIP(2)	1	STAINLESS STEEL	Pd PLATING OVER SOLDER PAD AREA
④	CLIP(1)	1	STAINLESS STEEL	NO PLATING
③	BOARD LOCK	2	COPPER ALLOY	PURE TIN OVER ALL
②	CONTACT	52	PHOSPHOR BRONZE	NICKEL UNDER PLATING GOLD PLATING AT CONTACT AREA
①	HOUSING	1	THERMOPLASTIC	UL94V-0, IVORY COLOR
ITEM	DESCRIPTION	Q'TY	MATERIAL	TREATMENT

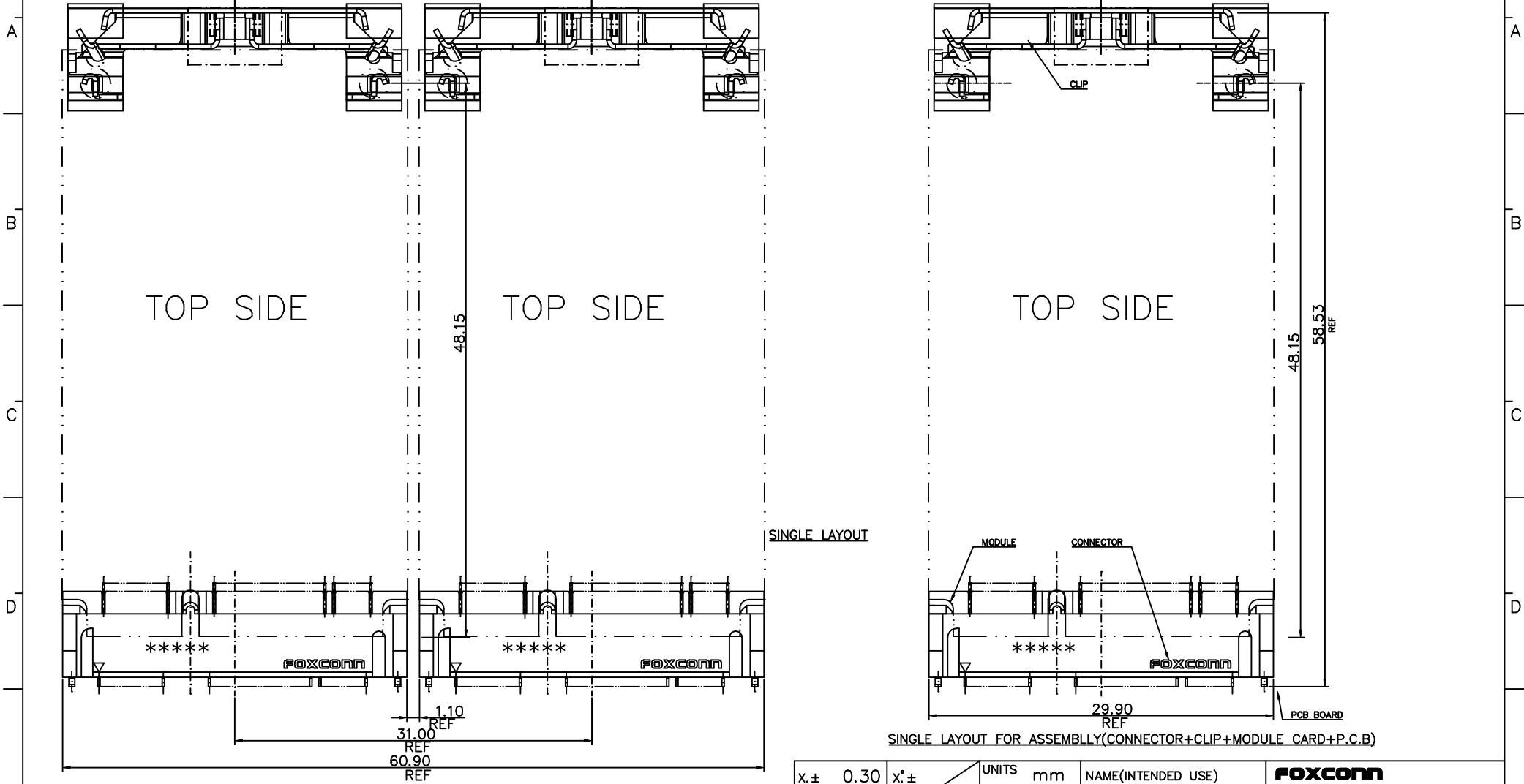
x.± 0.30	x*±	UNITS	mm	NAME(INTENDED USE)	<b>FOXCONN</b> HON HAI PRECISION IND. CO.,LTD. TAIPEI, TAIWAN, R.O.C.
.x± 0.25	.x*±	MAT'L		MINI PCI EXPRESS Connector	
.xx± 0.15	.xx*±	FINISH		PART NO.(INTENDED USE)	TITLE:
.xxx±	.xxx*±	Q'TY		ASOB22*-S68*-**	CUSTOMER DRAWING
THESE DRAWINGS AND SPECIFICATIONS ARE THE PROPERTY OF HON HAI PRECISION IND. CO., LTD. AND SHALL NOT BE REPRODUCED, COPIED OR USED IN ANY MANNER WITHOUT THE PRIOR WRITTEN CONSENT OF HON HAI PRECISION IND. CO., LTD.				APPD:	DWG NO.:
				Bruce Wu 4/23'06	317-0000-1228
				CHKD:	SCALE
				Herry Yang 4/23'06	SHEET
				DR: Recharl.XIAO 4/21'06	REV.
					N/A
					2/6
					A

A  
B  
C  
D  
E

1 2 3 4 5 6 7

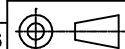
IDEAS GENERATED DRAWING, DO NOT CHANGE BY HAND

REV.	ECN.	NO.	APPD.



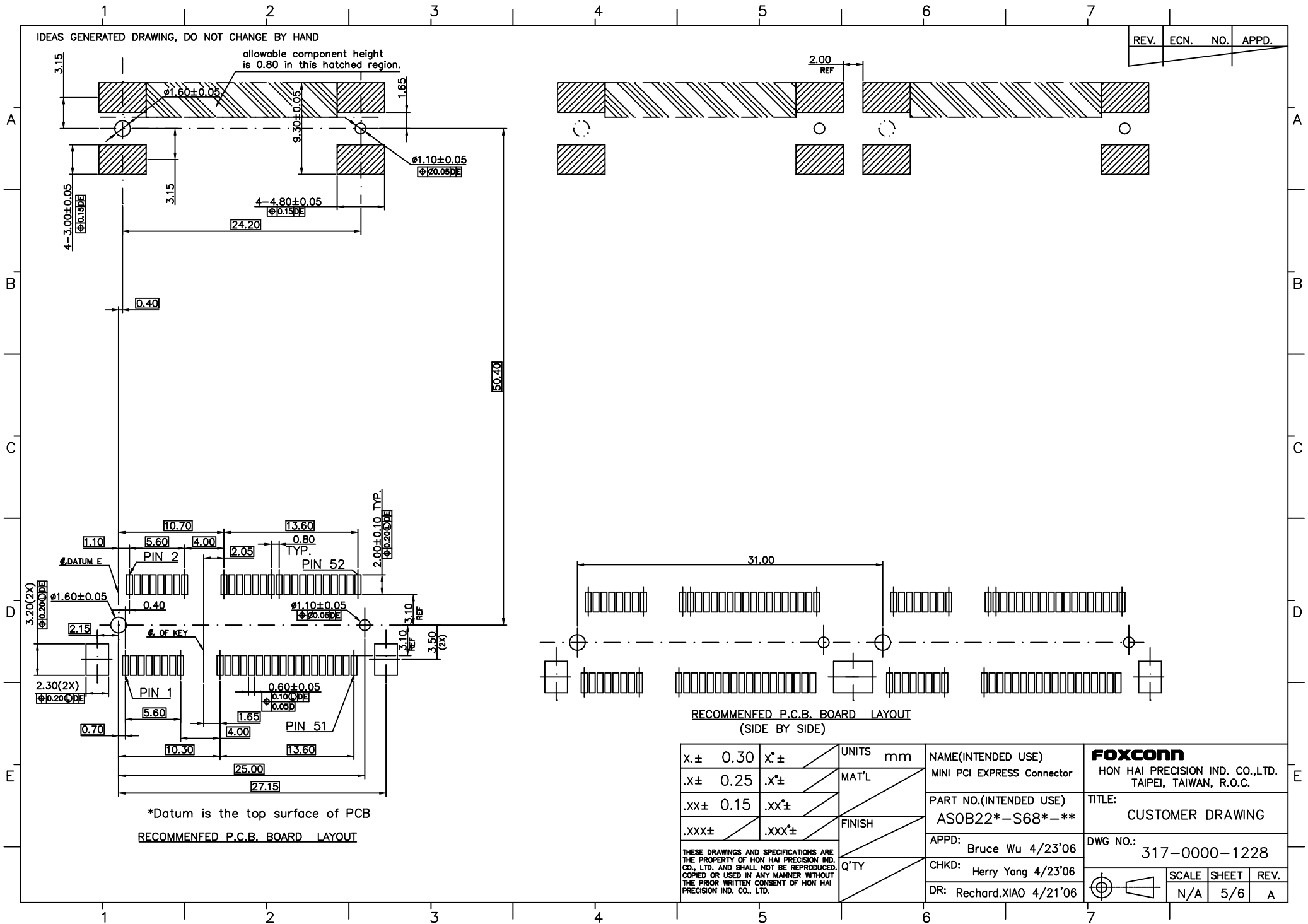
x.± 0.30	x'.±	UNITS mm	NAME(INTENDED USE)	<b>FOXCONN</b> HON HAI PRECISION IND. CO.,LTD. TAIPEI, TAIWAN, R.O.C.
.x± 0.25	.x'±		MINI PCI EXPRESS Connector	
.xx± 0.15	.xx'±	MAT'L	PART NO.(INTENDED USE)	TITLE:
.xxx±	.xxx'±		ASOB22*-S68*-**	CUSTOMER DRAWING
		FINISH	APPD:	DWG NO.:
				Bruce Wu 4/23'06
		Q'TY	CHKD:	
				Herry Yang 4/23'06
			DR:	
			Rechard.XIAO 4/21'06	
			SCALE	SHEET
			N/A	3/6
			REV.	
				A

THESE DRAWINGS AND SPECIFICATIONS ARE THE PROPERTY OF HON HAI PRECISION IND. CO., LTD. AND SHALL NOT BE REPRODUCED, COPIED OR USED IN ANY MANNER WITHOUT THE PRIOR WRITTEN CONSENT OF HON HAI PRECISION IND. CO., LTD.



IDEAS GENERATED DRAWING, DO NOT CHANGE BY HAND

REV.	ECN.	NO.	APPD.



allowable component height is 0.80 in this hatched region.

RECOMMENDED P.C.B. BOARD LAYOUT  
(SIDE BY SIDE)

\*Datum is the top surface of PCB  
RECOMMENDED P.C.B. BOARD LAYOUT

x.± 0.30	x°.±	UNITS	mm
.x± 0.25	.x°.±		MAT'L
.xx± 0.15	.xx°.±	FINISH	
.xxx±	.xxx°.±		Q'TY

NAME(INTENDED USE)	MINI PCI EXPRESS Connector
PART NO.(INTENDED USE)	AS0B22*-S68*-**
APPD:	Bruce Wu 4/23'06
CHKD:	Herry Yang 4/23'06
DR:	Rechard.XIAO 4/21'06

<b>FOXCONN</b>	HON HAI PRECISION IND. CO.,LTD. TAIPEI, TAIWAN, R.O.C.		
TITLE:	CUSTOMER DRAWING		
DWG NO.:	317-0000-1228		
SCALE	SHEET	REV.	
N/A	5/6	A	

THESE DRAWINGS AND SPECIFICATIONS ARE THE PROPERTY OF HON HAI PRECISION IND. CO., LTD. AND SHALL NOT BE REPRODUCED, COPIED OR USED IN ANY MANNER WITHOUT THE PRIOR WRITTEN CONSENT OF HON HAI PRECISION IND. CO., LTD.