



Chipsmall Limited consists of a professional team with an average of over 10 year of expertise in the distribution of electronic components. Based in Hongkong, we have already established firm and mutual-benefit business relationships with customers from,Europe,America and south Asia,supplying obsolete and hard-to-find components to meet their specific needs.

With the principle of “Quality Parts,Customers Priority,Honest Operation,and Considerate Service”,our business mainly focus on the distribution of electronic components. Line cards we deal with include Microchip,ALPS,ROHM,Xilinx,Pulse,ON,Everlight and Freescale. Main products comprise IC,Modules,Potentiometer,IC Socket,Relay,Connector.Our parts cover such applications as commercial,industrial, and automotives areas.

We are looking forward to setting up business relationship with you and hope to provide you with the best service and solution. Let us make a better world for our industry!



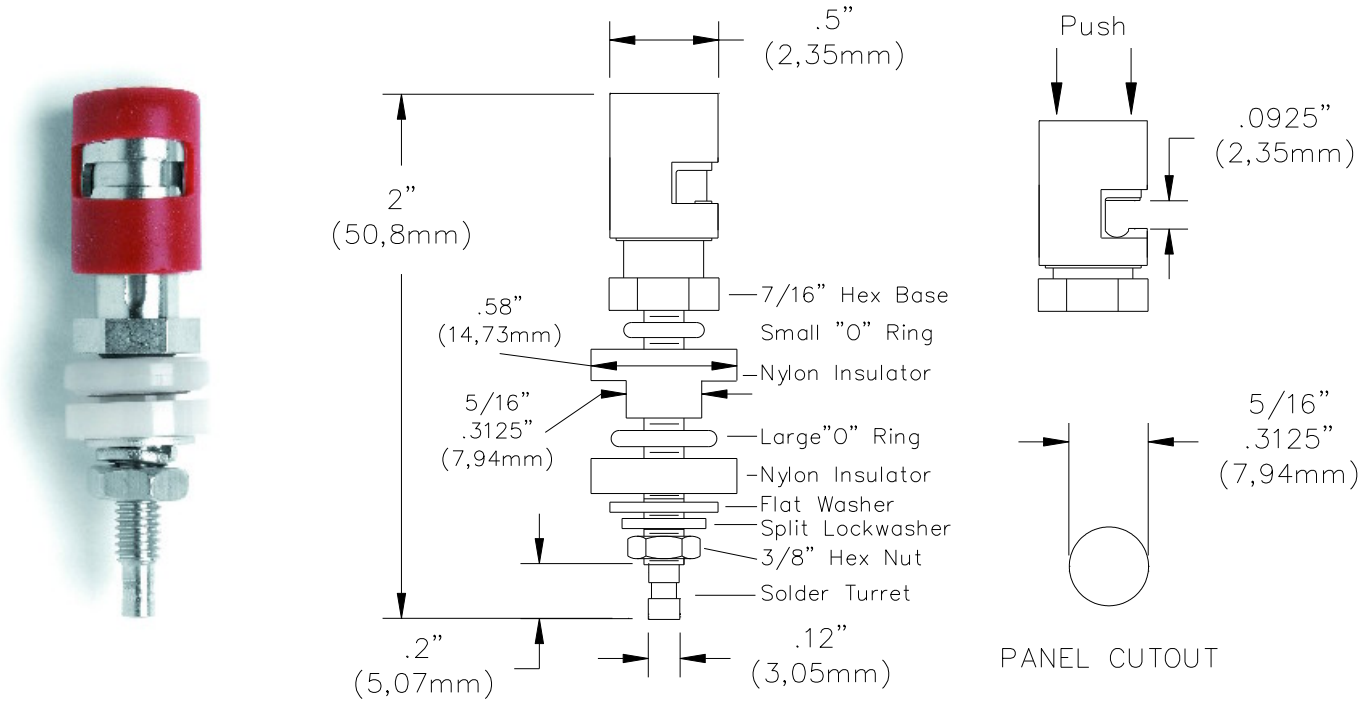
Contact us

Tel: +86-755-8981 8866 Fax: +86-755-8427 6832

Email & Skype: info@chipsmall.com Web: www.chipsmall.com

Address: A1208, Overseas Decoration Building, #122 Zhenhua RD., Futian, Shenzhen, China





FEATURES:

- ✓ Spring-loaded cap captures wire securely for fast connection and release.
- ✓ Mounts in panels from .062" (1.57mm) to .125" (3.18mm) thick.
- ✓ Accepts wire size up to .0925" (2,35mm) diameter.
- ✓ Complies with MIL-P-55149/8.

MATERIALS:

Body: Nickel Plated Brass
 "O" Rings: Silicon Rubber
 Cap: Silicon Rubber, Red or Black over body
 Hardware: Hex Nut, Split Lockwasher, Brass Washer, Nylon Washer, "O" Rings, Body, Cap

RATINGS:

Voltage: Hands free usage in controlled voltage environments: 1200 Vrms Max. *For CE compliance: not intended for hand-held use at voltage above 33 Vrms/70 Vdc.*
 Current: 15 Amperes
 Temperature: +239°F (+115°C) Max.

ORDERING INFORMATION:

Model 4995-0 (Black)
 Model 4995-2 (Red)

All dimensions are in inches. Tolerances (except noted): .xx = ±.02" (.51 mm), .xxx = ±.005" (.127 mm).
 All specifications are to the latest revisions. Specifications are subject to change without notice.
 Registered trademarks are the property of their respective companies.