



Chipsmall Limited consists of a professional team with an average of over 10 year of expertise in the distribution of electronic components. Based in Hongkong, we have already established firm and mutual-benefit business relationships with customers from,Europe,America and south Asia,supplying obsolete and hard-to-find components to meet their specific needs.

With the principle of “Quality Parts,Customers Priority,Honest Operation,and Considerate Service”,our business mainly focus on the distribution of electronic components. Line cards we deal with include Microchip,ALPS,ROHM,Xilinx,Pulse,ON,Everlight and Freescale. Main products comprise IC,Modules,Potentiometer,IC Socket,Relay,Connector.Our parts cover such applications as commercial,industrial, and automotives areas.

We are looking forward to setting up business relationship with you and hope to provide you with the best service and solution. Let us make a better world for our industry!



## Contact us

Tel: +86-755-8981 8866 Fax: +86-755-8427 6832

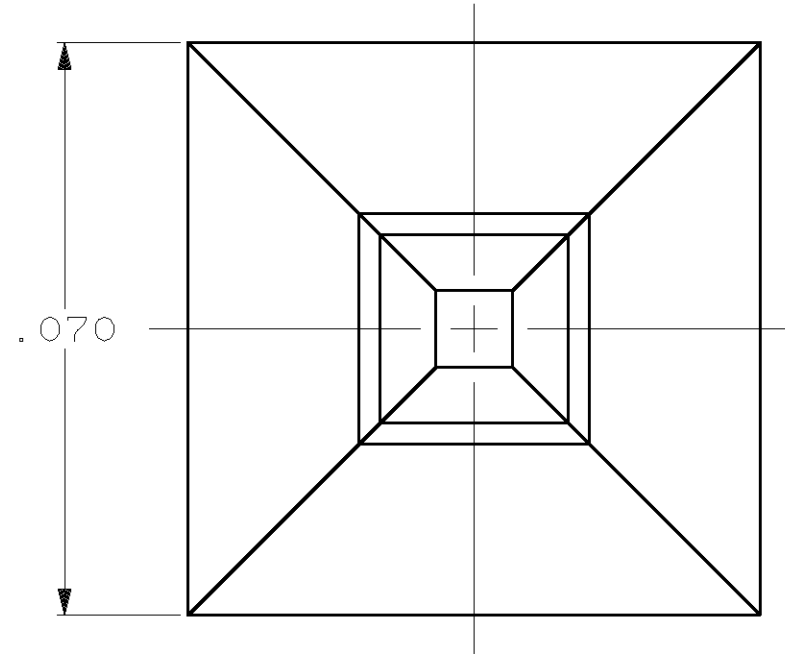
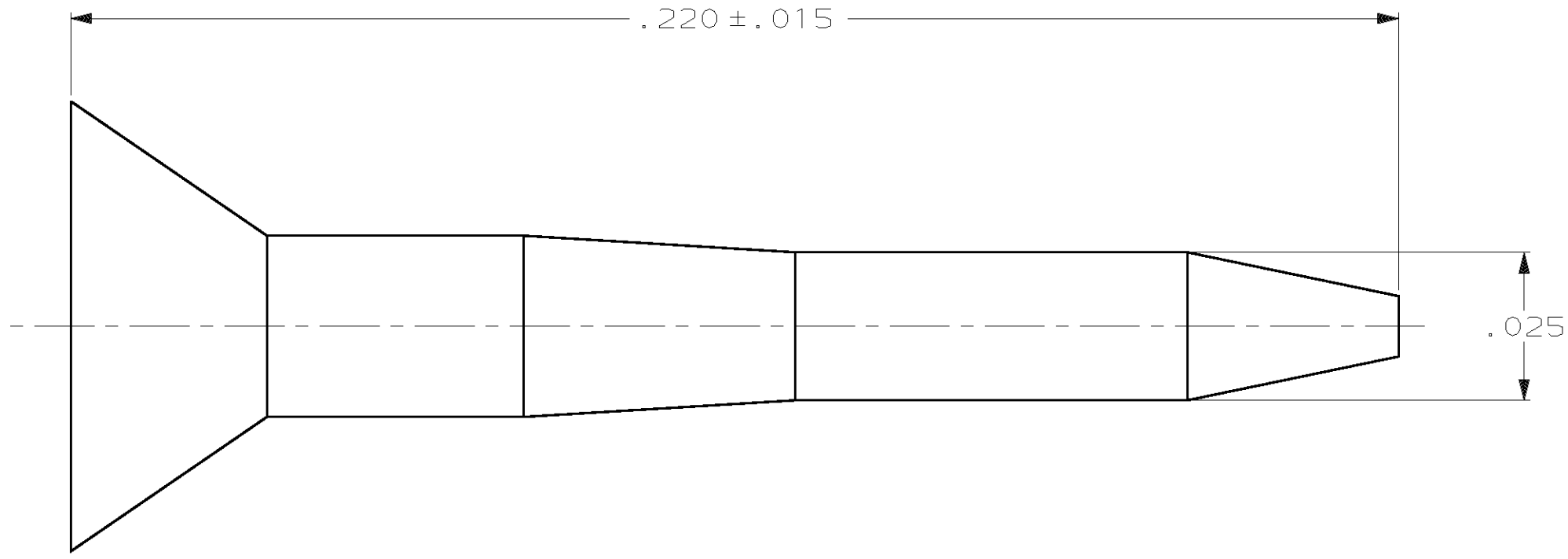
Email & Skype: info@chipsmall.com Web: www.chipsmall.com

Address: A1208, Overseas Decoration Building, #122 Zhenhua RD., Futian, Shenzhen, China



THIS DRAWING IS UNPUBLISHED. RELEASED FOR PUBLICATION, 19 .  
 © COPYRIGHT 19 BY AMP INCORPORATED. ALL INTERNATIONAL RIGHTS RESERVED.

LOC	DIST	P	F	ZONE	LTR	REVISIONS	DATE	APPD
AR	35				D	REVISED PER EC 051A-0020-99	21JUL99	JG



1 FLAME RETARDANT THERMOPLASTIC, 94V-0 RATED, BLACK.

499712-1  
 PART NO

DO NOT SCALE PRINT. UNLESS SPECIFIED DIMENSIONS IN INCHES TOLERANCES ON: 2 PLC DEC ± - 3 PLC DEC ± .005 ANGLES ± -	DR 2-16-90 J GALLUCCI B6	AMP INCORPORATED Harrisburg, Pa. 17105					
	CHK 3-19-90 H.MOLL						
	MATERIAL 1	APPD 3-20-90 S.600D	NAME	KEYING PLUG, NOVO, AMP-LATCH™			
	FINISH -	APPD 3-20-90 D.HOFFMAN	SIZE	B			
	PRODUCT SPEC -	FSCM NO	00779	DRAWING NO	499712		
	APPLICATION SPEC -	SCALE	40:1	SHEET	1 OF 1	REV	D
	WEIGHT -						