



Chipsmall Limited consists of a professional team with an average of over 10 year of expertise in the distribution of electronic components. Based in Hongkong, we have already established firm and mutual-benefit business relationships with customers from,Europe,America and south Asia,supplying obsolete and hard-to-find components to meet their specific needs.

With the principle of “Quality Parts,Customers Priority,Honest Operation,and Considerate Service”,our business mainly focus on the distribution of electronic components. Line cards we deal with include Microchip,ALPS,ROHM,Xilinx,Pulse,ON,Everlight and Freescale. Main products comprise IC,Modules,Potentiometer,IC Socket,Relay,Connector.Our parts cover such applications as commercial,industrial, and automotives areas.

We are looking forward to setting up business relationship with you and hope to provide you with the best service and solution. Let us make a better world for our industry!



Contact us

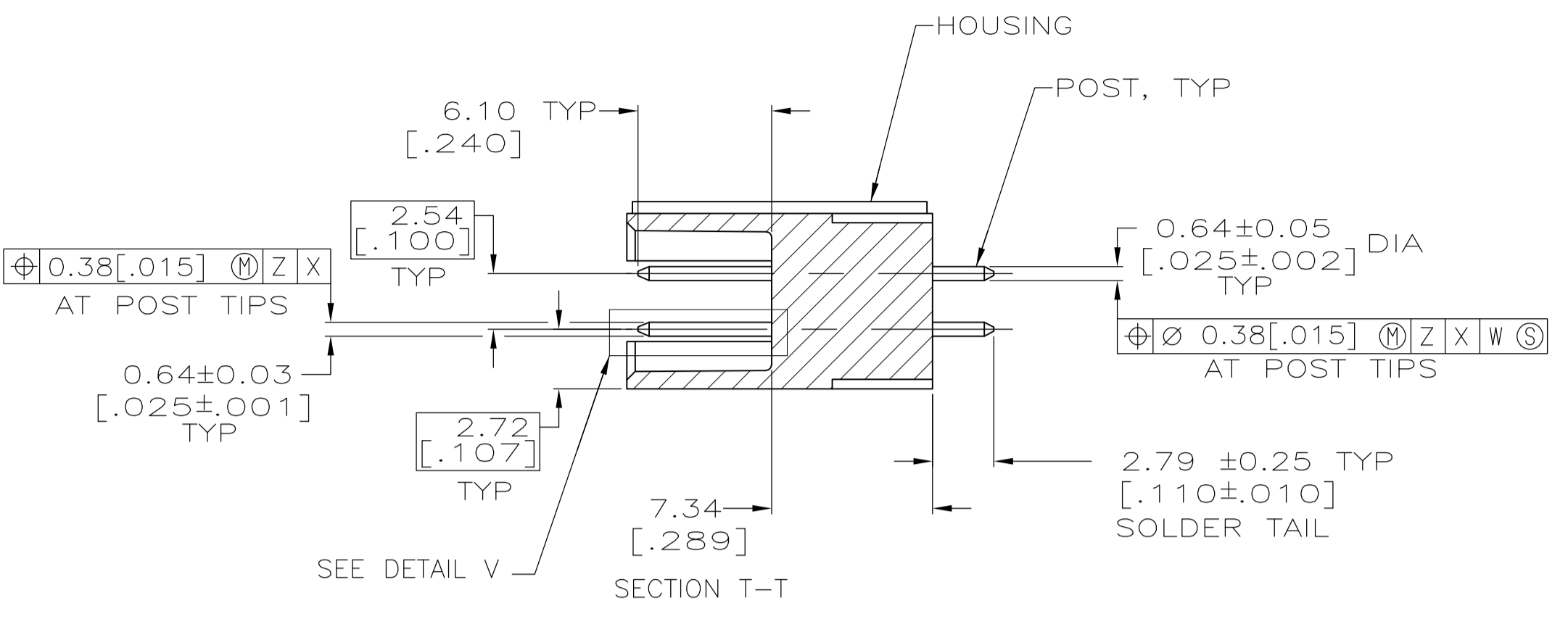
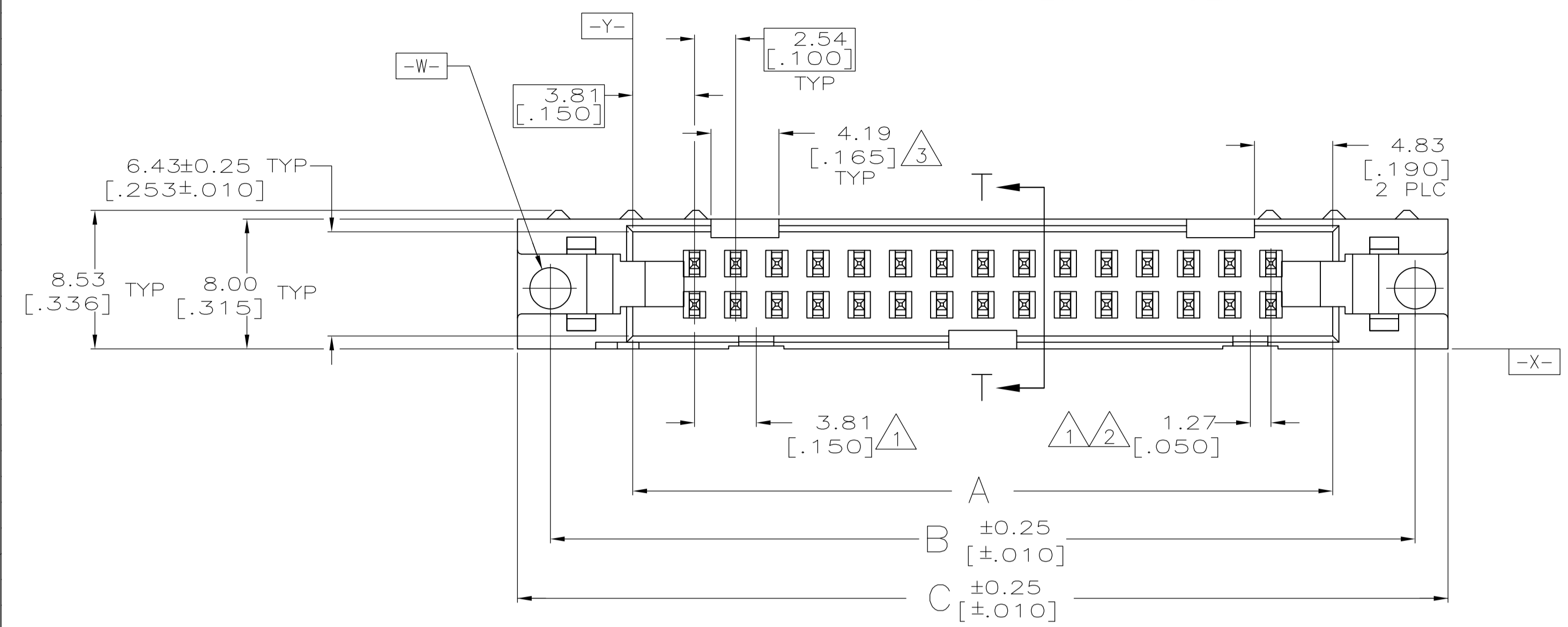
Tel: +86-755-8981 8866 Fax: +86-755-8427 6832

Email & Skype: info@chipsmall.com Web: www.chipsmall.com

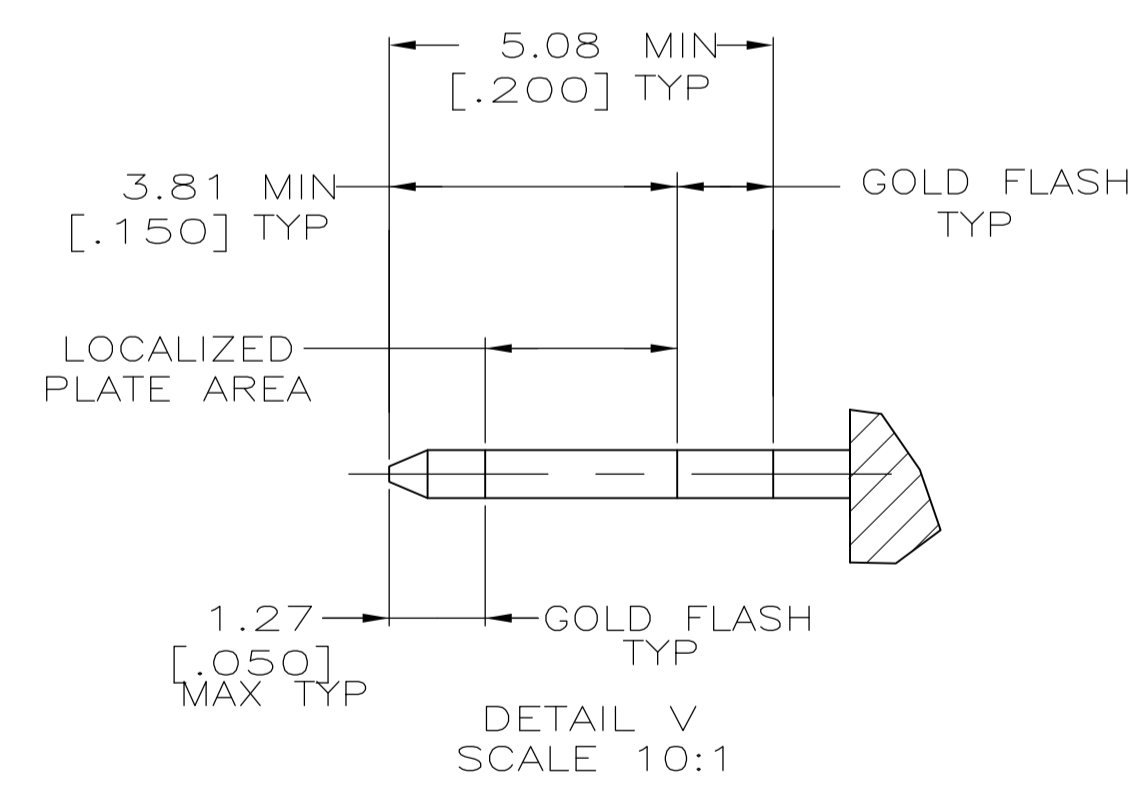
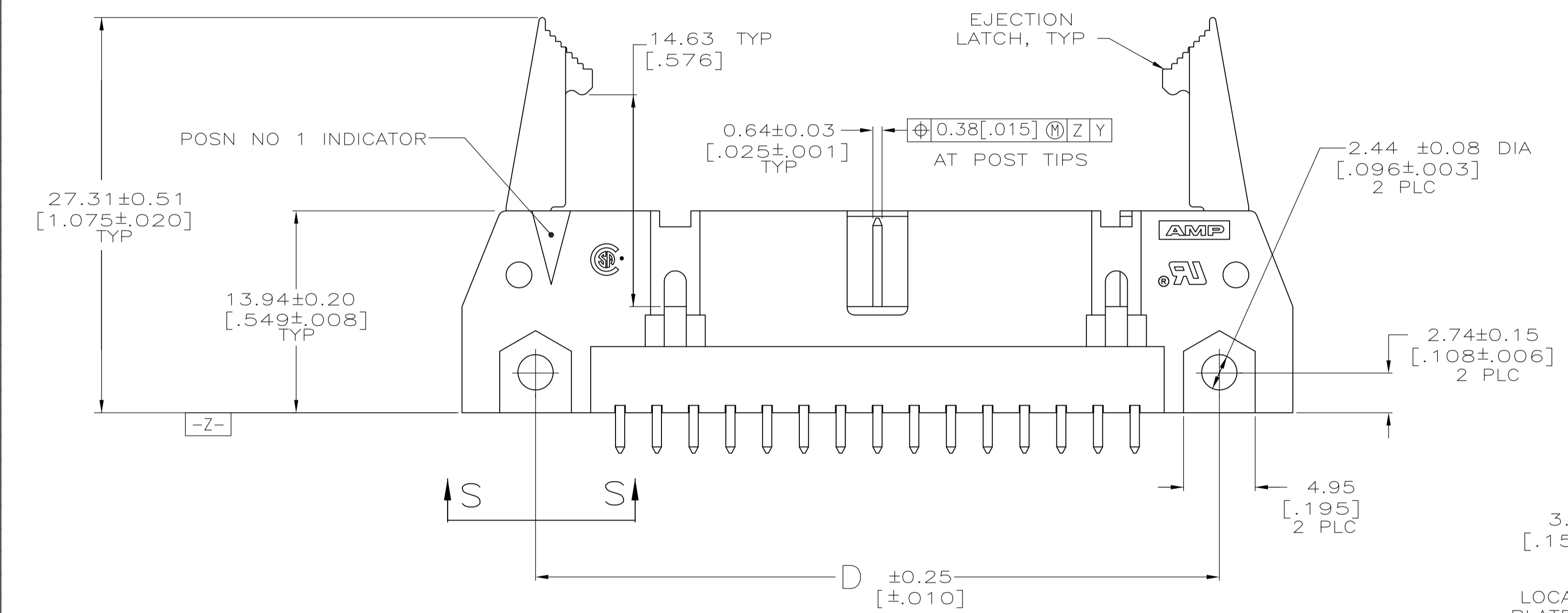
Address: A1208, Overseas Decoration Building, #122 Zhenhua RD., Futian, Shenzhen, China



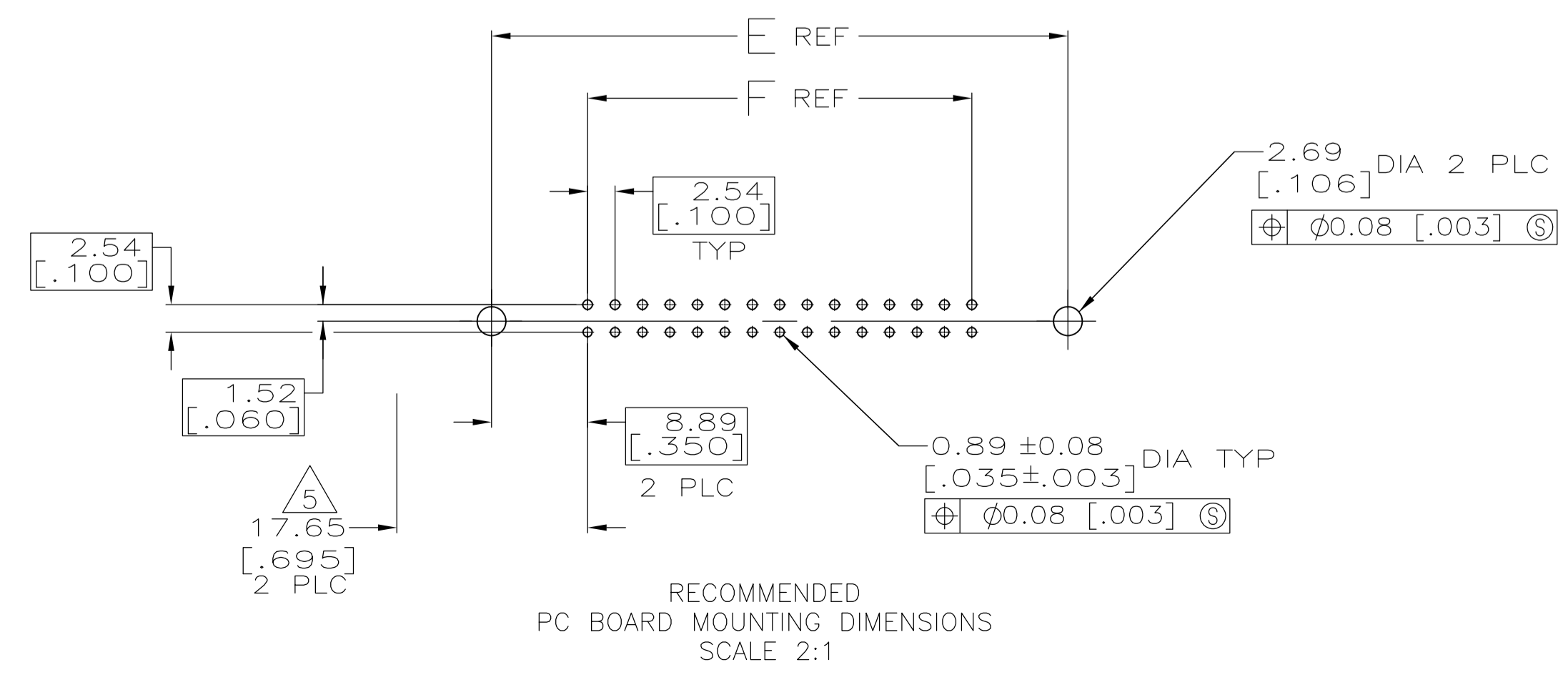
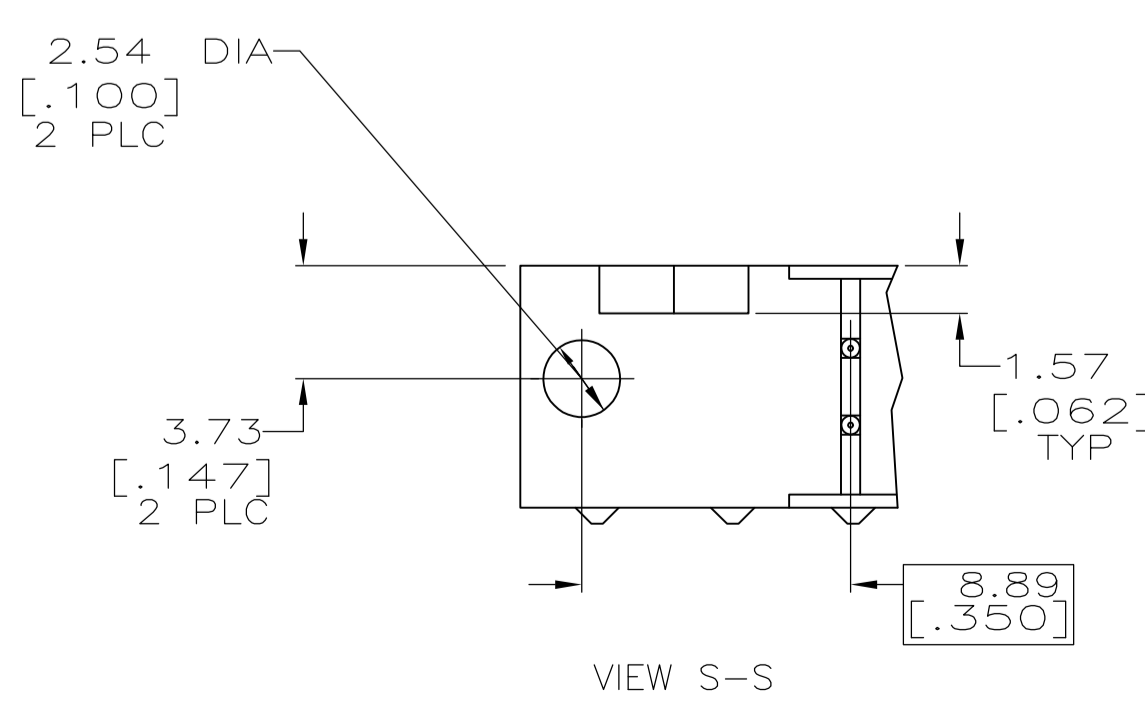
EJECTION LATCHES OMITTED IN THIS VIEW FOR CLARITY



- ① COORDINATE DIMENSION APPLIES FROM BASIC LOCATION.
- ② 10 AND 14 POSITION SIZES CONTAIN ONLY ONE SLOT FOR SNAP-IN POLARIZER (MILITARY POLARIZATION) LOCATED AS SHOWN.
- ③ 10 POSITION SIZES CONTAIN ONLY ONE SLOT FOR DUAL POLARIZATION, LOCATED AS SHOWN.
- 4. RECOMMENDED PRINTED CIRCUIT BOARD THICKNESS IS 1.57 [.062].
- ⑤ DISTANCE REQUIRED BY EJECTION LATCHES IN THE OPEN POSITION.
- ⑥ POSTS:
GOLD FLASH OVER PALLADIUM-NICKEL PLATE, 0.38µm [.000015] MIN TOTAL ON THE LOCALIZED PLATE AREA,
2.54µm [.000100] MIN TIN-LEAD PLATE ON THE SOLDER-TAIL,
1.27µm [.000050] MIN NICKEL UNDERPLATE ON THE ENTIRE POST.
OR
0.38µm [.000015] MIN GOLD PLATE ON THE LOCALIZED PLATE AREA,
2.54µm [.000100] MIN TIN-LEAD PLATE ON THE SOLDER-TAIL,
1.27µm [.000050] MIN NICKEL UNDERPLATE ON THE ENTIRE POST.
- ⑦ MATERIAL:
HOUSING: GLASS FILLED NYLON OR POLYESTER, 94V-0 RATED, BLACK.
POSTS: PHOSPHOR BRONZE OR BRASS.



OBsolete	53.34	71.12	65.02	75.18	71.12	60.96		
	[2.100]	[2.800]	[2.560]	[2.960]	[2.800]	[2.400]	44	1-499922-3
	78.74	96.52	90.42	100.58	96.52	86.36	64	1-499922-2
	[3.100]	[3.800]	[3.560]	[3.960]	[3.800]	[3.400]	60	1-499922-1
	73.66	91.44	85.34	95.50	91.44	81.28	50	1-499922-0
	[2.900]	[3.600]	[3.360]	[3.760]	[3.600]	[3.200]	40	499922-9
	60.96	78.74	72.64	82.80	78.74	68.58	34	499922-8
	[2.400]	[3.100]	[2.860]	[3.260]	[3.100]	[2.700]	30	499922-7
	48.26	66.04	59.94	70.10	66.04	55.88	26	499922-6
	[1.900]	[2.600]	[2.360]	[2.760]	[2.600]	[2.200]	24	499922-5
	40.64	58.42	52.32	62.48	58.42	48.26	20	499922-4
	[1.600]	[2.300]	[2.060]	[2.460]	[2.300]	[1.900]	16	499922-3
	35.56	53.34	47.24	57.40	53.34	43.18	14	499922-2
	[1.400]	[2.100]	[1.860]	[2.260]	[2.100]	[1.700]	10	499922-1
	30.48	48.26	42.16	52.32	48.26	38.10		
	[1.200]	[1.900]	[1.660]	[2.060]	[1.900]	[1.500]		
	27.94	45.72	39.62	49.78	45.72	35.56		
	[1.100]	[1.800]	[1.560]	[1.960]	[1.800]	[1.400]		
	22.86	40.64	34.54	44.70	40.64	30.48		
	[.900]	[1.600]	[1.360]	[1.760]	[1.600]	[1.200]		
	17.78	35.56	29.46	39.62	35.56	25.40		
	[.700]	[1.400]	[1.160]	[1.560]	[1.400]	[1.000]		
	15.24	33.02	26.92	37.08	33.02	22.86		
	[.600]	[1.300]	[1.060]	[1.460]	[1.300]	[.900]		
	10.16	27.94	21.84	32.00	27.94	17.78		
	[.400]	[1.100]	[.860]	[1.260]	[1.100]	[.700]		
	F	E	D	C	B	A	NO OF POSN	PART NUMBER



THIS DRAWING IS A CONTROLLED DOCUMENT.

DIMENSIONS: mm [INCHES]	TOLERANCES UNLESS OTHERWISE SPECIFIED:	DIN H. MOLL 4-23-90	REVISED PER ECO-11-004835
0 PLC ± .01	1 PLC ± .01	11/28/90	
2 PLC ± .01	3 PLC ± 0.13[.005]		
4 PLC ± .01	ANGLES ± .01		

STE TE Connectivity

PRODUCT SPEC: 108-40018

APPLICATION SPEC: AMP-LATCH

SIZE: A1

WEIGHT: 00779

CUSTOMER DRAWING

SCALE: 4:1

SHEET: 1 OF 1

REV: H1