



Chipsmall Limited consists of a professional team with an average of over 10 year of expertise in the distribution of electronic components. Based in Hongkong, we have already established firm and mutual-benefit business relationships with customers from,Europe,America and south Asia,supplying obsolete and hard-to-find components to meet their specific needs.

With the principle of “Quality Parts,Customers Priority,Honest Operation,and Considerate Service”,our business mainly focus on the distribution of electronic components. Line cards we deal with include Microchip,ALPS,ROHM,Xilinx,Pulse,ON,Everlight and Freescale. Main products comprise IC,Modules,Potentiometer,IC Socket,Relay,Connector.Our parts cover such applications as commercial,industrial, and automotives areas.

We are looking forward to setting up business relationship with you and hope to provide you with the best service and solution. Let us make a better world for our industry!



Contact us

Tel: +86-755-8981 8866 Fax: +86-755-8427 6832

Email & Skype: info@chipsmall.com Web: www.chipsmall.com

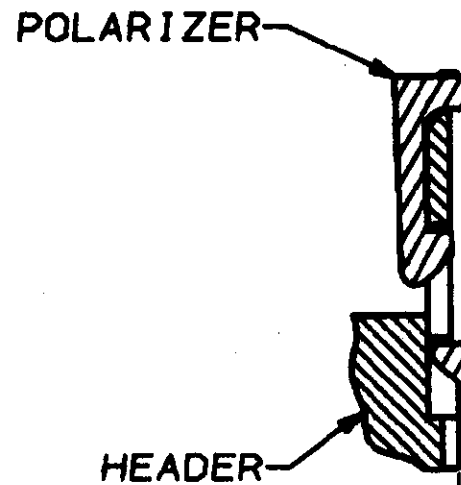
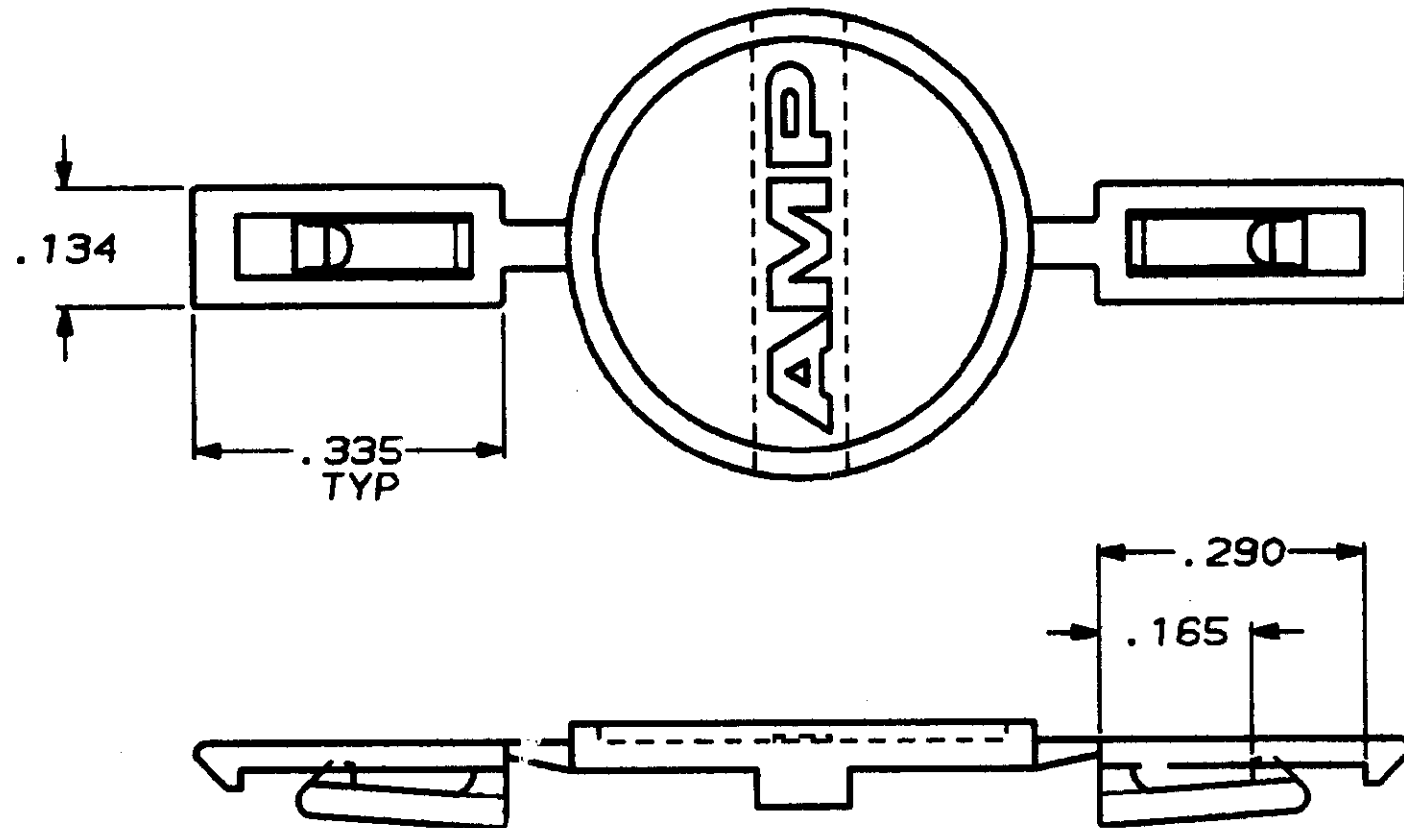
Address: A1208, Overseas Decoration Building, #122 Zhenhua RD., Futian, Shenzhen, China



DRAWING MADE IN THIRD ANGLE PROJECTION

THIS DRAWING IS UNPUBLISHED. RELEASED FOR PUBLICATION , 19
© COPYRIGHT 19 BY AMP INCORPORATED. ALL INTERNATIONAL RIGHTS RESERVED.

REV	DATE	BY	ZONE	LTR	DESCRIPTION	DATE	APPD
49	AR	39		C	REDRAWN ON CAD	7-26-90	-



WHEN INSTALLED ON AN AMP HEADER, A POLARIZER WILL INCREASE THE HEADER WIDTH BY .02 INCH.

1000	499991-3
50	499991-2
PACKAGING QUANTITY	PART NUMBER

1. 499991-1 SUPERSEDED BY 499991-3.

<p>DO NOT SCALE PRINT. UNLESS SPECIFIED DIMENSIONS IN INCHES TOLERANCES ON: S PLC DEC * - M PLC DEC * .005 ANGLES * -</p>	<p>DR 07/26/90 K.L. GONZALEZ</p>	<p>AMP Incorporated Allentown, PA 17105-3608</p>	
	<p>MATERIAL UL 94 V-0 RATED BLACK THERMOPLASTIC</p>	<p>NAME POLARIZER, SNAP-IN, AMP-LATCH™</p>	<p>SIZE B</p>
<p>FINISH -</p>	<p>APPLICATION SPEC -</p>	<p>DRAWING NO 499991</p>	<p>SHEET 1 OF 1</p>
<p>WEIGHT -</p>	<p>SCALE 5:1</p>	<p>CUSTOMER DRAWING</p>	