



Chipsmall Limited consists of a professional team with an average of over 10 year of expertise in the distribution of electronic components. Based in Hongkong, we have already established firm and mutual-benefit business relationships with customers from,Europe,America and south Asia,supplying obsolete and hard-to-find components to meet their specific needs.

With the principle of “Quality Parts,Customers Priority,Honest Operation,and Considerate Service”,our business mainly focus on the distribution of electronic components. Line cards we deal with include Microchip,ALPS,ROHM,Xilinx,Pulse,ON,Everlight and Freescale. Main products comprise IC,Modules,Potentiometer,IC Socket,Relay,Connector.Our parts cover such applications as commercial,industrial, and automotives areas.

We are looking forward to setting up business relationship with you and hope to provide you with the best service and solution. Let us make a better world for our industry!



Contact us

Tel: +86-755-8981 8866 Fax: +86-755-8427 6832

Email & Skype: info@chipsmall.com Web: www.chipsmall.com

Address: A1208, Overseas Decoration Building, #122 Zhenhua RD., Futian, Shenzhen, China



THIS DRAWING IS UNPUBLISHED. RELEASED FOR PUBLICATION
 © COPYRIGHT - By - ALL RIGHTS RESERVED.

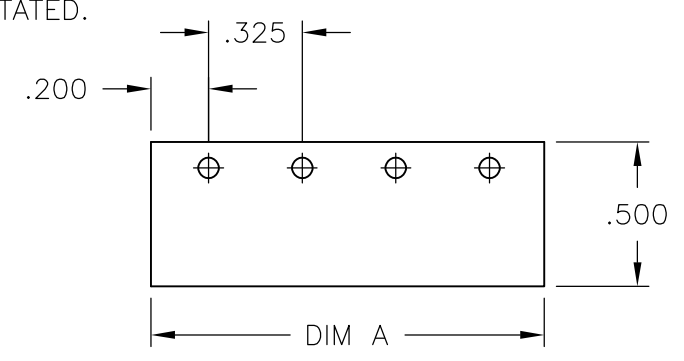
LOC	DIST	REVISIONS					
		P	LTR	DESCRIPTION	DATE	DWN	APVD
			D6	REVISED PER ECO-11-004820	11MAR11	RK	HMR

MATERIAL:
 HOUSING: NYLON, UL94V-0, BLACK.
 TERMINAL: BRIGHT TIN PLATED, COPPER ALLOY.
 SCREW: 6-32, STEEL, ZINC PLATED CLEAR CHROMATE, UNLESS OTHERWISE STATED.

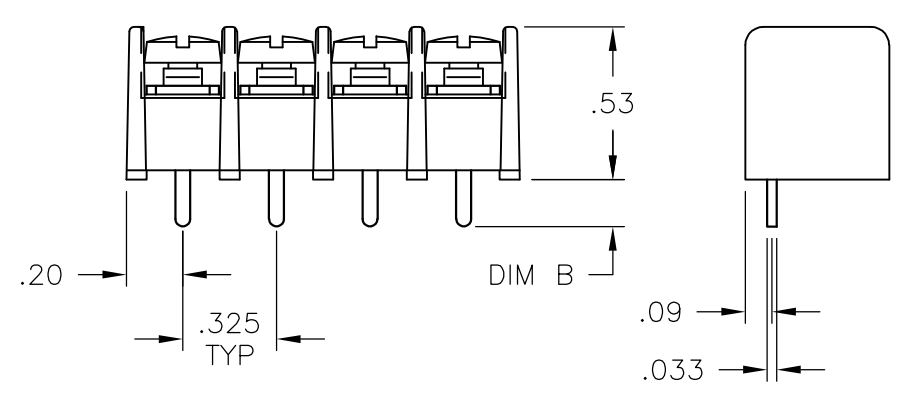
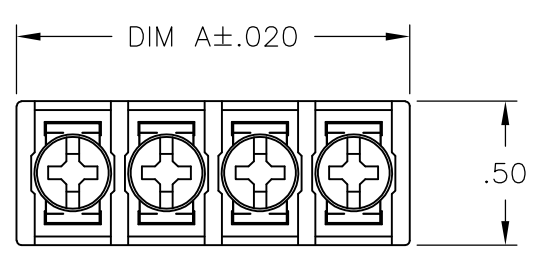
ELECTRICAL:
 UL CLASS C: 20A, 150V.
 UL CLASS D: 10A, 300V.
 CSA TYPE B: 20A, 300V.
 CSA TYPE C: 20A, 300V.
 CSA TYPE D: 10A, 300V.
 CSA TYPE E 20A, 300V.
 WIRE RANGE: 12-22 AWG

MECHANICAL:
 MAXIMUM TORQUE RATING: 7 IN-LB.

- 1 MIDDLE TERMINAL IS ROTATED 180° FROM OTHERS. NOT TO BE USED WITH RECOMMENDED PCB LAYOUT.
- 2 OBSOLETE PART NUMBER.
- 3 PRELIMINARY PART NUMBER.
- 4 SCREWS ARE NICKEL PLATED BRASS.
- 5 SEE FIGURE.
- 6 SPECIAL FULL THREAD BINDER HD SCREW USED FOR THIS ASSY ONLY ALLOWS FOR USE OF J4 JUMPER.
- 7 OBSOLETE PARTS: OBSOLETE CIS STREAMLINING PER D.RENAUD/D.SINISI



RECOMMENDED PCB LAYOUT



DIM B	DIM A	.187 QC TAB 90° DOUBLE SIDED	.187 QC TAB 45° DOUBLE SIDED	.187 QC TAB FLAT DOUBLE SIDED	NO. OF POS.	CATATLOG NUMBER	PART NO.
.160	7.540	-	-	-	23	4DB-P107-23	2-1546468-3
.160	7.215	-	-	-	22	4DB-P107-22	2-1546468-2
.160	6.890	-	-	-	21	4DB-P107-21	2-1546468-1
.160	6.565	-	-	-	20	4DB-P107-20	2-1546468-0
.160	6.240	-	-	-	19	4DB-P107-19	1-1546468-9
.160	5.915	-	-	-	18	4DB-P107-18	1-1546468-8
.160	5.590	-	-	-	17	4DB-P107-17	1-1546468-7
.160	5.265	-	-	-	16	4DB-P107-16	2-1437667-1
.160	4.940	-	-	-	15	4DB-P107-15	2-1437667-0
.160	4.615	-	-	-	14	4DB-P105-14	4-1546468-0
.160	4.615	-	-	-	14	4DB-P107-14	1-1546468-4
.160	4.290	-	-	-	13	4DB-P107-13	1-1546468-3
.160	3.965	-	-	-	12	4DB-P105-12	3-1546468-9
.160	3.965	-	-	-	12	4DB-P107-12	1-1437667-9
.160	3.640	-	-	-	11	4DB-P107-11	1-1437667-8
.160	3.315	-	10	-	10	4DB-P105-10-104	4-1546468-2
.160	3.315	-	-	-	10	4DB-P107-10	1-1437667-7
.160	2.990	-	-	-	9	4DB-P105-09	3-1546468-8
.160	2.990	-	-	-	9	4DB-P107-09	1-1437667-6
.160	2.665	-	-	-	8	4DB-P105-08	3-1546468-7
.160	2.665	-	-	-	8	4DB-P107-08	1-1437667-5
.160	2.340	-	-	-	7	4DB-P105-07	3-1546468-6
.160	2.340	-	-	-	7	4DB-P107-07	1-1437667-4
.160	2.015	-	-	-	6	4DB-P105-06	3-1546468-5
.160	2.015	-	-	-	6	4DB-P107-06	1-1437667-2
.160	1.690	-	-	-	5	4DB-P105-05	3-1546468-4
.160	1.690	-	-	-	5	4DB-P107-05	1-1437667-1
.160	1.365	-	-	-	4	4DB-P107-04	4-1546468-5
.160	1.365	-	-	-	4	4DB-P105-04	3-1546468-3
.160	1.365	-	-	-	4	4DB-P107-04	1-1437667-0
.122±.012	1.040	-	-	-	3	4DB-P107-03	4-1546468-4
.160	1.040	-	-	-	3	4DB-P107-03-070	1437667-9
.160	1.040	-	-	-	3	4DB-P107-03-096	3-1546468-2
.160	1.040	-	-	-	3	4DB-P107-03-095	3-1546468-1
.160	1.040	-	-	-	3	4DB-P107-03	1437667-7
.160	.715	-	-	-	2	4DB-P105-02	4-1546468-3
.160	.715	-	-	-	2	4DB-P107-02	1437667-6

SEE FIGURE 1
 SEE FIGURE 3
 OBSOLETE

THIS DRAWING IS A CONTROLLED DOCUMENT.

DIMENSIONS: INCHES	TOLERANCES UNLESS OTHERWISE SPECIFIED:	DWN S SCHLEGEL 10/19/04	 TE Connectivity
	0 PLC ± -	CHK S YODER 10/19/04	
	1 PLC ± -	APVD S YODER 10/19/04	
MATERIAL	FINISH	PRODUCT SPEC	

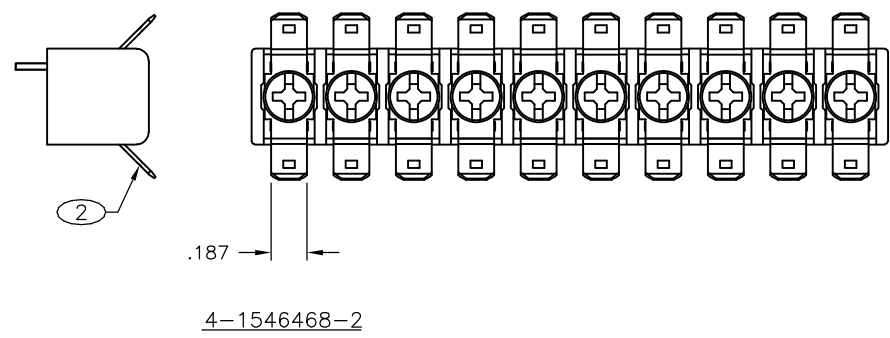
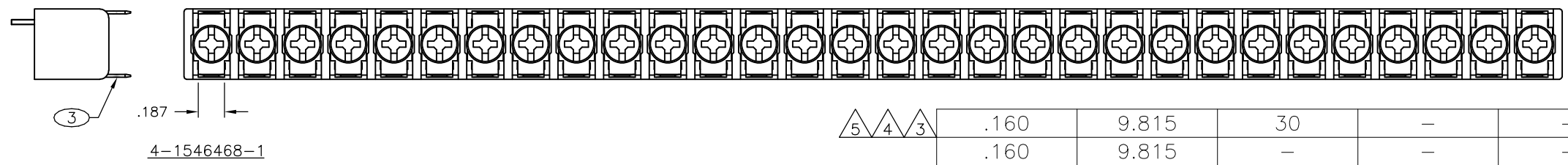
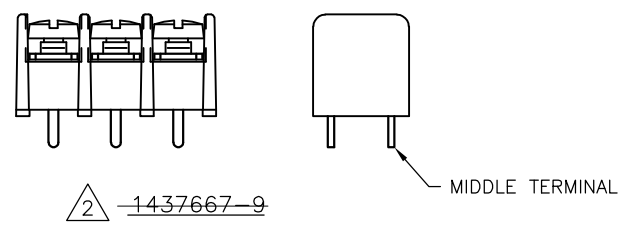
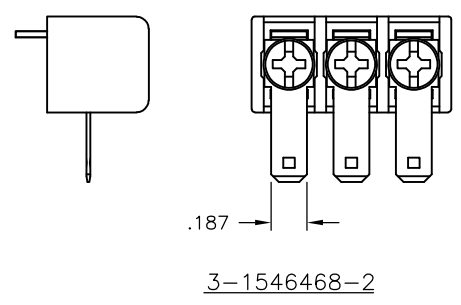
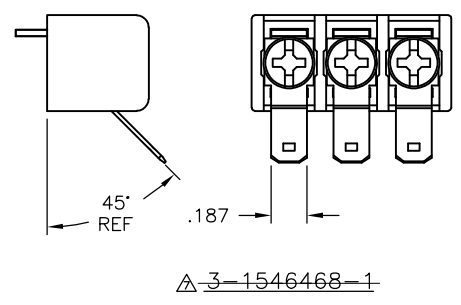
4DB SERIES P107 STYLE

SIZE	CAGE CODE	DRAWING NO	RESTRICTED TO
A3	00779	C-1437667-6	-

CUSTOMER DRAWING SCALE NTS SHEET 1 OF 2 REV D6

THIS DRAWING IS UNPUBLISHED. RELEASED FOR PUBLICATION
 © COPYRIGHT - By - ALL RIGHTS RESERVED.

LOC		DIST		REVISIONS			
P	LTR	DESCRIPTION		DATE	DWN	APVD	
-	-	-	-	SEE SHEET 1	-	-	



DIM B	DIM A	.187 QC TAB 90° DOUBLE SIDED	.187 QC TAB 45° DOUBLE SIDED	.187 QC TAB FLAT DOUBLE SIDED	NO. OF POS.	CATALOG NUMBER	PART NO.
△5△4△3	.160	9.815	30	-	-	30	4DB-P105-30-103 4-1546468-1
	.160	9.815	-	-	-	30	4DB-P107-30 3-1546468-0
	.160	9.490	-	-	-	29	4DB-P107-29 2-1546468-9
	.160	9.165	-	-	-	28	4DB-P107-28 2-1546468-8
	.160	8.840	-	-	-	27	4DB-P107-27 2-1546468-7
	.160	8.515	-	-	-	26	4DB-P107-26 2-1437667-3
	.160	8.190	-	-	-	25	4DB-P107-25 2-1437667-2
	.160	7.865	-	-	-	24	4DB-P107-24 2-1546468-4

THIS DRAWING IS A CONTROLLED DOCUMENT.

DIMENSIONS: INCHES	TOLERANCES UNLESS OTHERWISE SPECIFIED:	DWN S SCHLEGEL 10/19/04	STE TE Connectivity	
	0 PLC ± - 1 PLC ± - 2 PLC ± .02 3 PLC ± .010 4 PLC ± - ANGLES ± 2'	CHK S YODER 10/19/04		
MATERIAL	FINISH	APVD S YODER 10/19/04	NAME 4DB SERIES P107 STYLE	
-	-	PRODUCT SPEC	SIZE	CAGE CODE
		APPLICATION SPEC	A3	00779
		WEIGHT	DRAWING NO C-1437667-6	
		CUSTOMER DRAWING		RESTRICTED TO
		SCALE	SHEET	REV
		NTS	2 OF 2	D6