



Chipsmall Limited consists of a professional team with an average of over 10 year of expertise in the distribution of electronic components. Based in Hongkong, we have already established firm and mutual-benefit business relationships with customers from,Europe,America and south Asia,supplying obsolete and hard-to-find components to meet their specific needs.

With the principle of "Quality Parts,Customers Priority,Honest Operation,and Considerate Service",our business mainly focus on the distribution of electronic components. Line cards we deal with include Microchip,ALPS,ROHM,Xilinx,Pulse,ON,Everlight and Freescale. Main products comprise IC,Modules,Potentiometer,IC Socket,Relay,Connector.Our parts cover such applications as commercial,industrial, and automotives areas.

We are looking forward to setting up business relationship with you and hope to provide you with the best service and solution. Let us make a better world for our industry!



Contact us

Tel: +86-755-8981 8866 Fax: +86-755-8427 6832

Email & Skype: info@chipsmall.com Web: www.chipsmall.com

Address: A1208, Overseas Decoration Building, #122 Zhenhua RD., Futian, Shenzhen, China



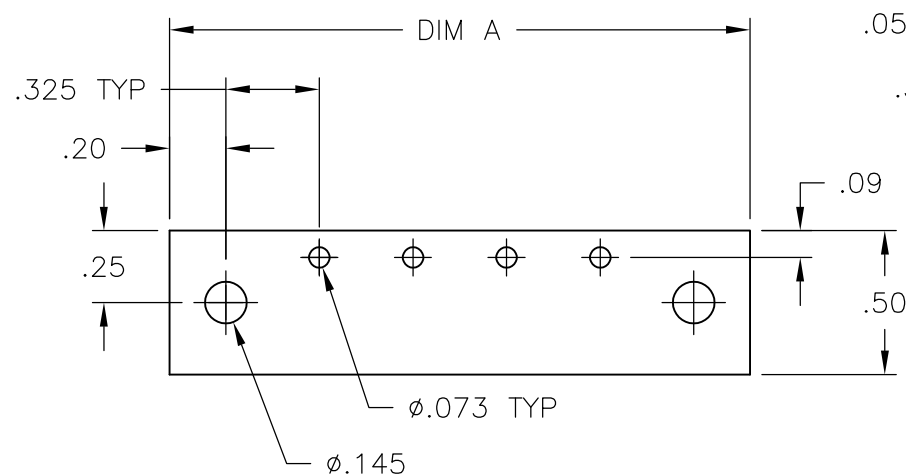
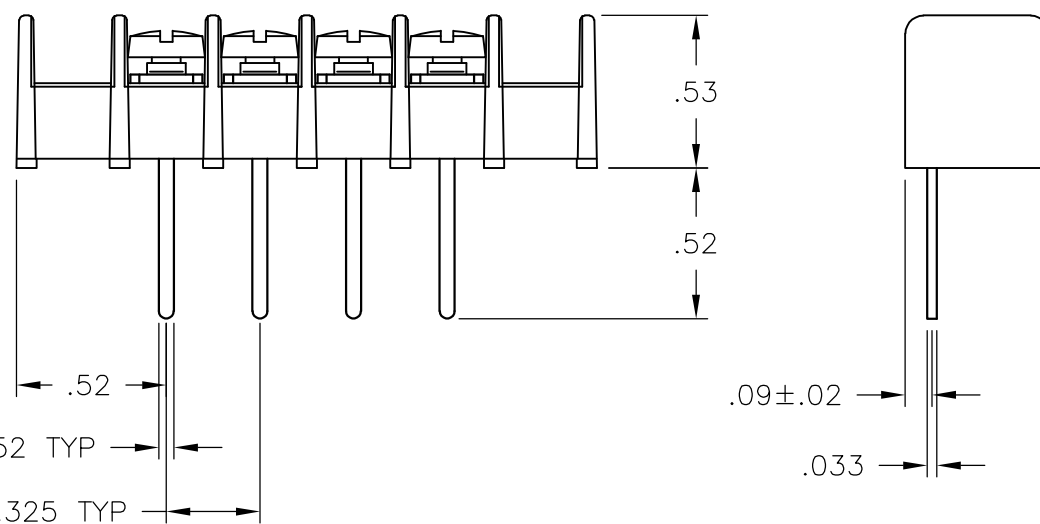
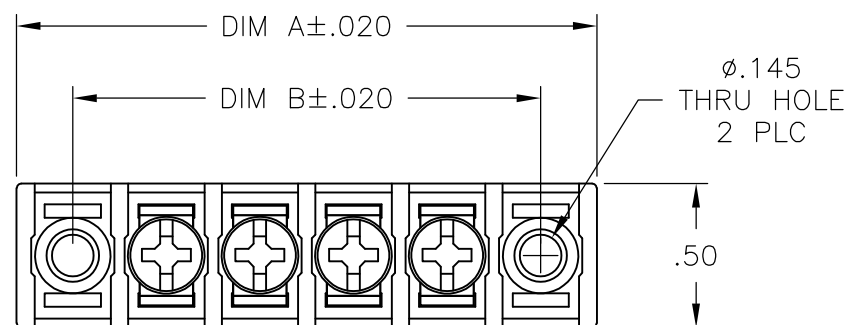
THIS DRAWING IS UNPUBLISHED. RELEASED FOR PUBLICATION
 © COPYRIGHT - BY TYCO ELECTRONICS CORPORATION. ALL RIGHTS RESERVED.

LOC	DIST	REVISIONS					
FT	0	P	LTR	DESCRIPTION	DATE	DWN	APVD
		C		REVISED PER ECO-07-014969	6/25/07	SS	SRY

MATERIALS:
 HOUSING: THERMOPLASTIC PA, UL94V-0, BLACK.
 TERMINALS: BRIGHT TIN PLATED, COPPER ALLOY.
 SCREWS: 6-32, STEEL, ZINC PLATED W/ CLEAR CHROMATE.

ELECTRICAL:
 UL CLASS C: 20A, 150V.
 UL CLASS D: 10A, 300V.
 CSA TYPE B: 20A, 300V.
 CSA TYPE C: 20A, 300V.
 CSA TYPE D: 10A, 300V.
 CSA TYPE E: 20A, 300V.
 WIRE RANGE: 12-22 AWG

MECHANICAL:
 OPERATING TEMP.: -40° TO +105°C
 RECOMMENDED TIGHTENING TORQUE: 7 IN-LBS.



RECOMMENDED PCB LAYOUT

DIM B	DIM A	NO OF POS	CATALOG NUMBER	TYCO PART NO.
9.425	9.815	28	4DB-W207-28	2-1546466-8
9.100	9.490	27	4DB-W207-27	2-1546466-7
8.775	9.165	26	4DB-W207-26	2-1546466-6
8.450	8.840	25	4DB-W207-25	2-1546466-5
8.125	8.515	24	4DB-W207-24	2-1546466-4
7.800	8.190	23	4DB-W207-23	2-1546466-3
7.475	7.865	22	4DB-W207-22	2-1546466-2
7.150	7.540	21	4DB-W207-21	2-1546466-1
6.825	7.215	20	4DB-W207-20	2-1546466-0
6.500	6.890	19	4DB-W207-19	1-1546466-9
6.175	6.565	18	4DB-W207-18	1-1546466-8
5.850	6.240	17	4DB-W207-17	1-1546466-7
5.525	5.915	16	4DB-W207-16	1-1546466-6
5.200	5.590	15	4DB-W207-15	1-1546466-5
4.875	5.265	14	4DB-W207-14	1-1546466-4
4.550	4.940	13	4DB-W207-13	1-1546466-3
4.225	4.615	12	4DB-W207-12	1-1546466-2
3.900	4.290	11	4DB-W207-11	1-1546466-1
3.575	3.965	10	4DB-W207-10	1-1546466-0
3.250	3.640	9	4DB-W207-09	1546466-9
2.925	3.315	8	4DB-W207-08	1546466-8
2.600	2.990	7	4DB-W207-07	1546466-7
2.275	2.665	6	4DB-W207-06	1546466-6
1.950	2.340	5	4DB-W207-05	1546466-5
1.625	2.015	4	4DB-W207-04	9-1437667-2
1.300	1.690	3	4DB-W207-03	9-1437667-1
.975	1.365	2	4DB-W207-02	9-1437667-0

THIS DRAWING IS A CONTROLLED DOCUMENT.		DWN S SCHLEGEL 10/20/06	Tyco Electronics Corporation Harrisburg, PA 17105-3608	
DIMENSIONS: INCHES		CHK S YODER 10/20/06		
TOLERANCES UNLESS OTHERWISE SPECIFIED:		APVD S YODER 10/20/06	NAME 4DB SERIES W207 STYLE	
0 PLC ± - 1 PLC ± - 2 PLC ± .01 3 PLC ± .005 4 PLC ± - ANGLES ± 2°		PRODUCT SPEC -	RESTRICTED TO -	
MATERIAL -		APPLICATION SPEC -	SIZE A3	CAGE CODE 00779
FINISH -		WEIGHT -	DRAWING NO C-9-1437667-0	RESTRICTED TO -
CUSTOMER DRAWING			SCALE NTS	SHEET 1 OF 1