



Chipsmall Limited consists of a professional team with an average of over 10 year of expertise in the distribution of electronic components. Based in Hongkong, we have already established firm and mutual-benefit business relationships with customers from,Europe,America and south Asia,supplying obsolete and hard-to-find components to meet their specific needs.

With the principle of “Quality Parts,Customers Priority,Honest Operation,and Considerate Service”,our business mainly focus on the distribution of electronic components. Line cards we deal with include Microchip,ALPS,ROHM,Xilinx,Pulse,ON,Everlight and Freescale. Main products comprise IC,Modules,Potentiometer,IC Socket,Relay,Connector.Our parts cover such applications as commercial,industrial, and automotives areas.

We are looking forward to setting up business relationship with you and hope to provide you with the best service and solution. Let us make a better world for our industry!



## Contact us

Tel: +86-755-8981 8866 Fax: +86-755-8427 6832

Email & Skype: info@chipsmall.com Web: www.chipsmall.com

Address: A1208, Overseas Decoration Building, #122 Zhenhua RD., Futian, Shenzhen, China



THIS DRAWING IS UNPUBLISHED. RELEASED FOR PUBLICATION  
 © COPYRIGHT - By - ALL RIGHTS RESERVED.

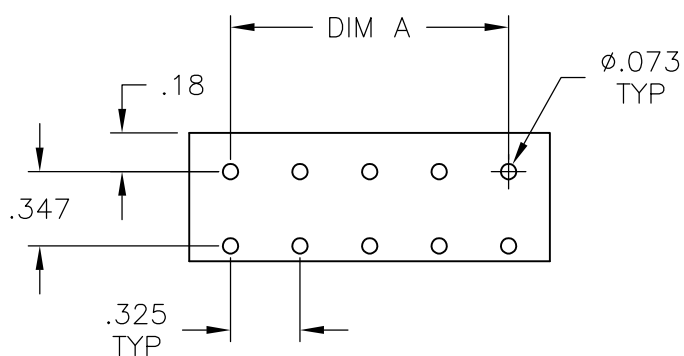
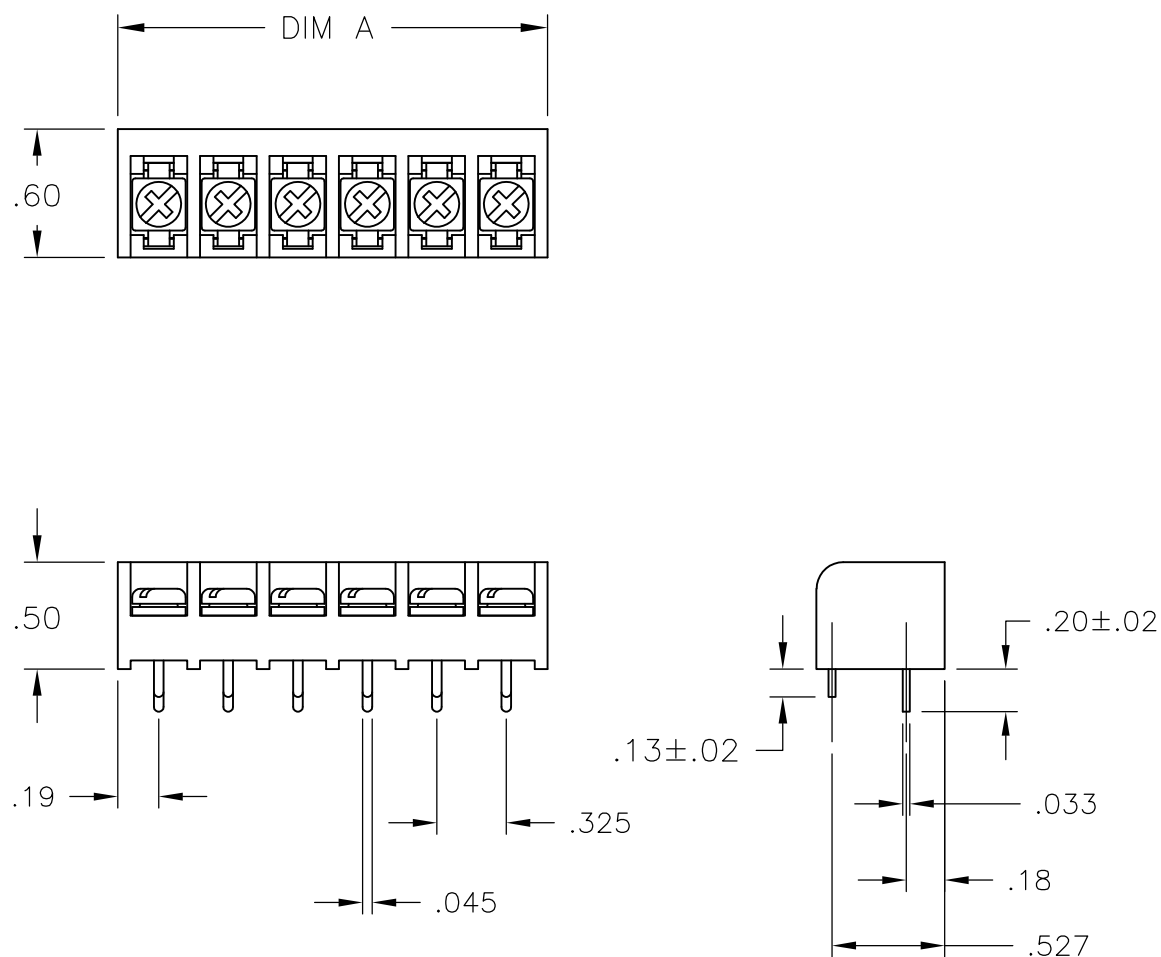
LOC	DIST	REVISIONS					
FT	0	P	LTR	DESCRIPTION	DATE	DWN	APVD
			B1	REVISED PER ECO-11-004917	11MAR11	RK	HMR

MATERIALS:  
 HOUSING: POLYAMIDE, UL94V-0.  
 TERMINALS: COPPER ALLOY, TIN PLATED.  
 SCREWS: STEEL, ZINC PLATED. (UNLESS OTHERWISE NOTED)

ELECTRICAL:  
 RATING: 20A, 150V (300V LIMITED RATING)  
 UL & CSA

MECHANICAL:  
 WIRE RANGE: 14 - 22 AWG  
 MAXIMUM TIGHTENING TORQUE: 7 IN-LBS.  
 RUNNING TORQUE: 0.5 - 3.5 IN-LBS.

NICKEL PLATED BRASS.



RECOMMENDED HOLE LAYOUT  
 TOLERANCE ±.002, UNLESS OTHERWISE SPECIFIED

9.811	30	4DBL-30-006	2-1546937-5
9.486	29	4DBL-29-006	2-1546937-4
9.161	28	4DBL-28-006	2-1546937-3
8.836	27	4DBL-27-006	2-1546937-2
8.511	26	4DBL-26-006	2-1546937-1
8.186	25	4DBL-25-006	2-1546937-0
7.861	24	4DBL-24-006	1-1546937-9
7.536	23	4DBL-23-006	1-1546937-8
7.211	22	4DBL-22-006	1-1546937-7
6.886	21	4DBL-21-006	1-1546937-6
6.561	20	4DBL-20-006	1-1546937-5
6.236	19	4DBL-19-006	1-1546937-4
5.911	18	4DBL-18-006	1-1546937-3
5.586	17	4DBL-17-006	1-1546937-2
5.261	16	4DBL-16-006	1-1546937-1
4.936	15	4DBL-15-006	1-1546937-0
4.611	14	4DBL-14-006	1546937-9
4.286	13	4DBL-13-006	1546937-8
3.961	12	4DBL-12-006	1437648-7
3.636	11	4DBL-11-006	1546937-7
3.311	10	4DBL-10-006	1546937-6
2.986	9	4DBL-09-006	1546937-5
2.661	8	4DBL-08-006	1546937-4
2.336	7	4DBL-07-006	1546937-3
2.011	6	4DBL-06-006	1546937-2
1.686	5	4DBL-05-006	1546937-1
1.361	4	4DBL-04-006	1437648-5
1.036	3	4DBL-03-006	1437648-3
.711	2	-	2-1546937-6
.711	2	4DBL-02-006	1437648-2
DIM. A	NO OF POS	CATALOG NUMBER	PART NUMBER

THIS DRAWING IS A CONTROLLED DOCUMENT.		DWN	S SCHLEGEL	6/19/07	TE Connectivity		
DIMENSIONS: INCHES		CHK	S YODER	6/19/07			
TOLERANCES UNLESS OTHERWISE SPECIFIED:		APVD	S YODER	6/19/07	NAME		
0 PLC	± -	PRODUCT SPEC		4DBL-XX-006 ASSEMBLY			
1 PLC	± -	APPLICATION SPEC		SIZE	CAGE CODE	DRAWING NO	RESTRICTED TO
2 PLC	± -	MATERIAL		A3 00779		C-1437648-2	-
3 PLC	± -	FINISH		CUSTOMER DRAWING			SCALE
4 PLC	± -	MATERIAL		CUSTOMER DRAWING			NTS
ANGLES	± -	MATERIAL		CUSTOMER DRAWING			SHEET
		MATERIAL		CUSTOMER DRAWING			1 OF 1
		MATERIAL		CUSTOMER DRAWING			REV
		MATERIAL		CUSTOMER DRAWING			B1