



Chipsmall Limited consists of a professional team with an average of over 10 year of expertise in the distribution of electronic components. Based in Hongkong, we have already established firm and mutual-benefit business relationships with customers from,Europe,America and south Asia,supplying obsolete and hard-to-find components to meet their specific needs.

With the principle of “Quality Parts,Customers Priority,Honest Operation,and Considerate Service”,our business mainly focus on the distribution of electronic components. Line cards we deal with include Microchip,ALPS,ROHM,Xilinx,Pulse,ON,Everlight and Freescale. Main products comprise IC,Modules,Potentiometer,IC Socket,Relay,Connector.Our parts cover such applications as commercial,industrial, and automotives areas.

We are looking forward to setting up business relationship with you and hope to provide you with the best service and solution. Let us make a better world for our industry!



Contact us

Tel: +86-755-8981 8866 Fax: +86-755-8427 6832

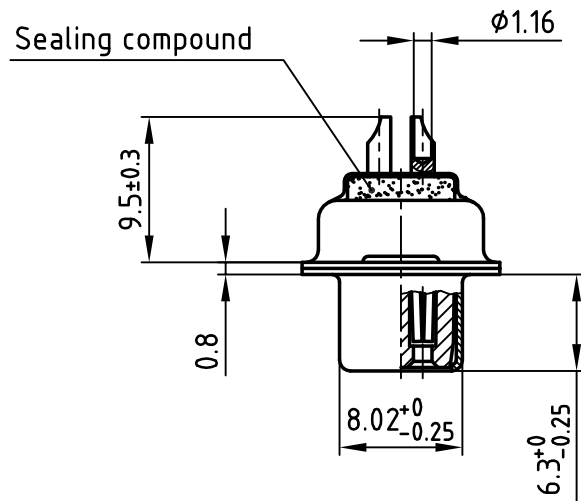
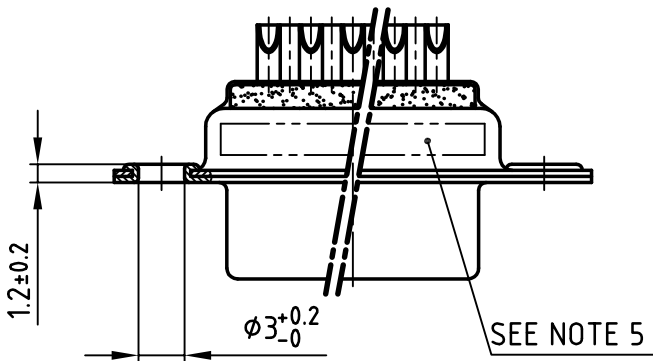
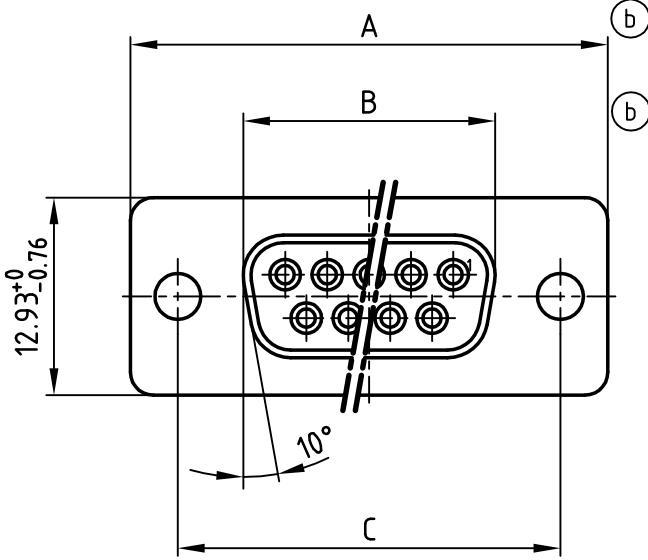
Email & Skype: info@chipsmall.com Web: www.chipsmall.com

Address: A1208, Overseas Decoration Building, #122 Zhenhua RD., Futian, Shenzhen, China



used for: D-SUB

POS.	A ^{-0.76}	B ^{-0.25}	C	PART-NO.
9	31.19	16.46	25.00 ^{+0.12} _{-0.13}	4STD09SCM99A10X
15	39.52	24.79	33.30 ^{+0.15} _{-0.1}	4STD15SCM99A10X
25	53.42	38.50	47.04 ±0.13	4STD25SCM99A10X
37	69.70	54.96	63.50 ±0.13	4STD37SCM99A10X



Directive 2002/95/EC
"RoHS"
Compliant

NOTES:

- METALSHELLS: COPPER ALLOY; min. 320µin TIN
- INSULATORS: PBT GF UL 94 V-0, BLACK
- CONTACTS: COPPER ALLOY
SOLDER CUP ACCEPTS CABLE AWG 20
- PLATING: min. 30µin HARD GOLD OVER min. 50µin NICKEL
- CONNECTOR IS PART MARKED: PART-NO. CONEC ABC

APPROVAL # FREIGABE # DEBLOCAGE # AUTORIZACION # APPROVAL	
CUSTOMER APPROVAL DATE:	
NAME:	TITLE:
COMPANY NAME:	
APPROVAL # FREIGABE # DEBLOCAGE # AUTORIZACION # APPROVAL	

THIS DRAWING MAY NOT BE COPIED OR REPRODUCED IN ANY WAY, AND MAY NOT BE PASSED ON TO A THIRD PARTY WITHOUT WRITTEN PERMISSION.
 OWNERSHIP AND COPYRIGHT OF CONEC GmbH
 DO NOT ALTER CAD DRAWING BY HAND

tolerance				dim. in mm	
1999	date			name	
drawn	26.04.			Barcinski	
appd.	26.04.			Mickenbecker	
norm	DIN 41652				
d-old					
3 x b	Ä 3045	25.06.2008	Petker		
a	Origin				
rev.	description	date	name		

scale:	2:1	
material:	SEE NOTES	
title:	D-SUB FEMALE SOLDER CUP 9-37pos. for watertight hood	
dwg no:	AutoCAD 2000	DIN-A
	18K11B2A	4
part no:	SEE TABLE	
		sh: 1/1