



Chipsmall Limited consists of a professional team with an average of over 10 year of expertise in the distribution of electronic components. Based in Hongkong, we have already established firm and mutual-benefit business relationships with customers from,Europe,America and south Asia,supplying obsolete and hard-to-find components to meet their specific needs.

With the principle of "Quality Parts,Customers Priority,Honest Operation,and Considerate Service",our business mainly focus on the distribution of electronic components. Line cards we deal with include Microchip,ALPS,ROHM,Xilinx,Pulse,ON,Everlight and Freescale. Main products comprise IC,Modules,Potentiometer,IC Socket,Relay,Connector.Our parts cover such applications as commercial,industrial, and automotives areas.

We are looking forward to setting up business relationship with you and hope to provide you with the best service and solution. Let us make a better world for our industry!



Contact us

Tel: +86-755-8981 8866 Fax: +86-755-8427 6832

Email & Skype: info@chipsmall.com Web: www.chipsmall.com

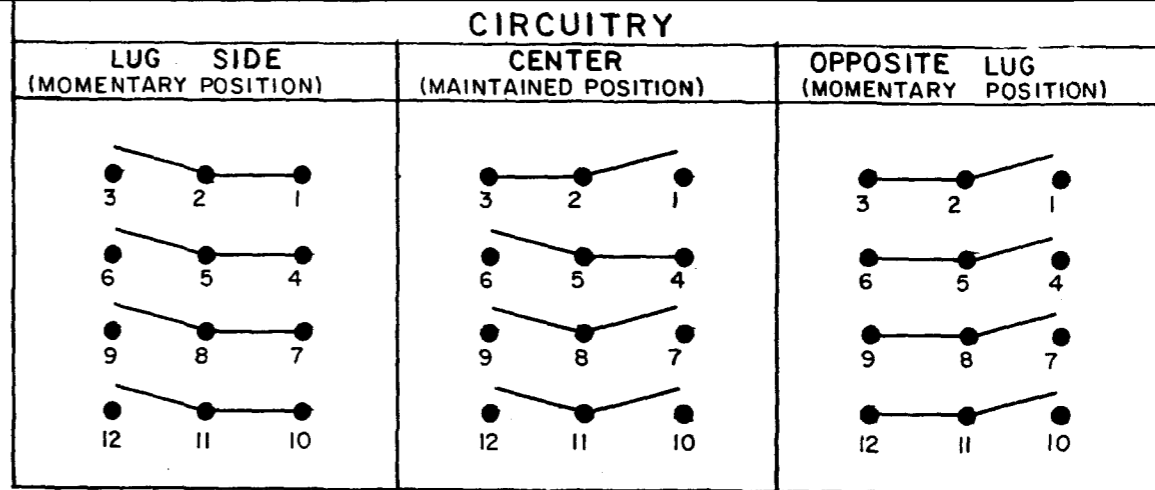
Address: A1208, Overseas Decoration Building, #122 Zhenhua RD., Futian, Shenzhen, China



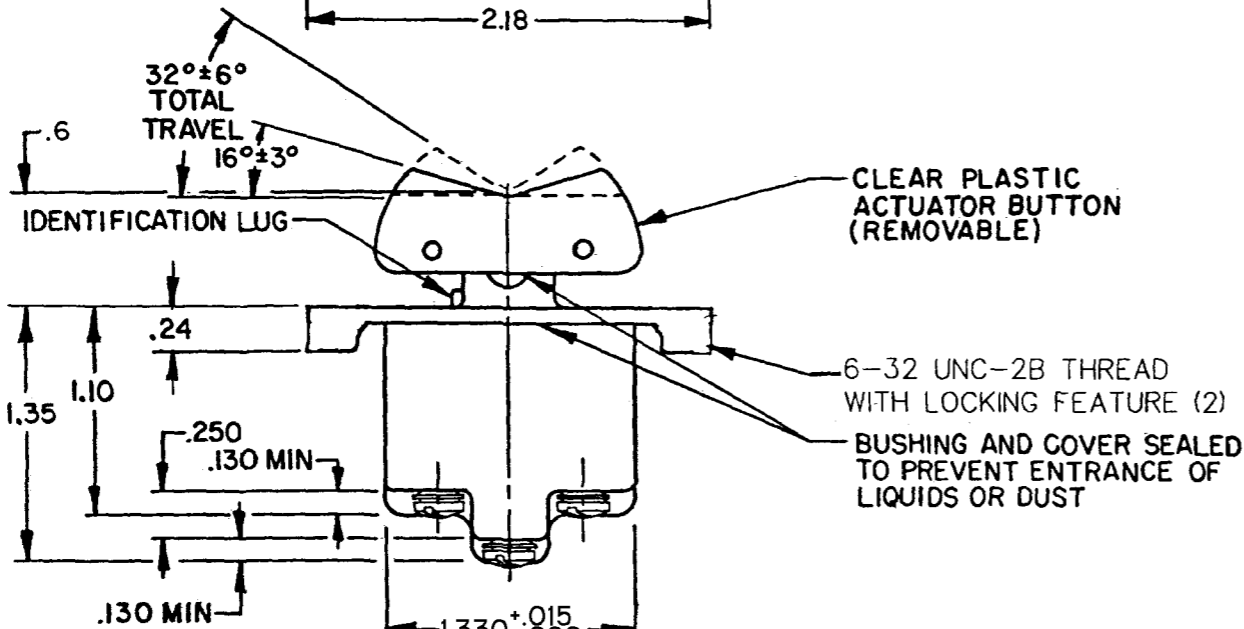
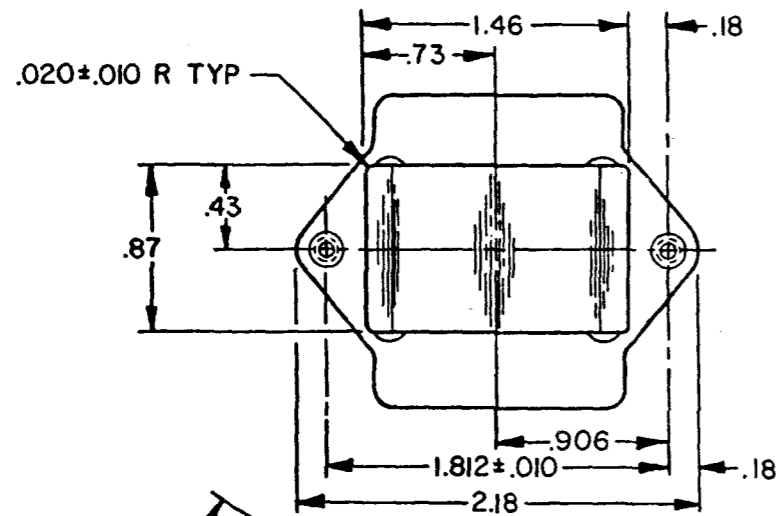
MICRO SWITCH
 FREEPORT ILLINOIS U.S.A.
 A DIVISION OF HONEYWELL
 FED. MFG. CODE 91929

SWITCH - TOGGLE
ABOVE PANEL MOUNT

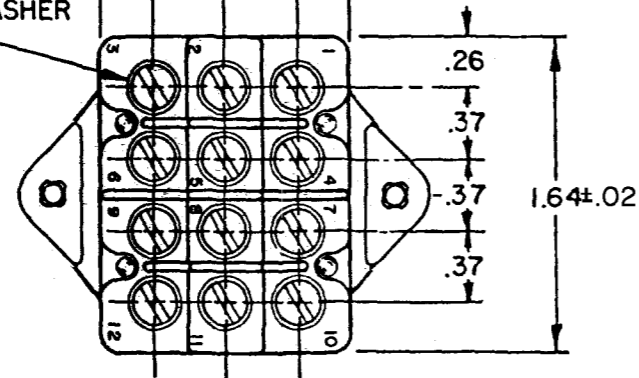
CATALOG LISTING
4TP4-70



10A-125, 250, 277 VAC
 1/4HP-125VAC; 1/2HP-250, 277VAC
 3A-125VAC "L" CODE L192



6-32 UNC X .260 REF BINDING HEAD TERMINAL SCREW AND LOCKWASHER (SEMS) ONE PER TERMINAL



THIRD ANGLE PROJECTION

SCALE FULL

DO NOT SCALE PRINT

TOLERANCES
 APPLY TO DESIGN UNITS. CONVERSIONS ARE ONLY FOR REFERENCE. UNLESS NOTED, TOLERANCES ARE ±

DIM.	TOL.	DIM.	TOL.
IN	IN	MM	MM
NO PLACES	X	1/64	0.01/0.05
ONE PLACE	X.X	0.01/0.18	0.01/0.18
TWO PLACES	X.XX	0.001/0.006	0.001/0.006
THREE PLACES	X.XXX		0.0001/0.0006

DESIGN UNITS SI METRIC US CUSTOMARY

RAW MATERIAL-COMMERCIAL STANDARD

MICRO SWITCH STANDARDS APPLY

DIMENSIONS ARE TO BE MET BEFORE PROTECTIVE COATINGS ARE APPLIED

WEIGHT .22 LB EST.

NOTES

- 1 - MICRO SWITCH CATALOG LISTING MARKED ON SIDE OF SWITCH
- 2 - THESE SWITCHES WILL WITHSTAND TEMPERATURE OF 160°F
- 3 - SCREWS FURNISHED UNASSEMBLED

CATALOG LISTING
4TP4-70
 PAGE 1 OF 1
 RELEASE NO. PR-10169
 REPLACES
 ISSUE
M
 12
 REVISIONS
 A OBS CO-47730
 6 JUN 80
 B RE-INS PR-10169
 28 APR 81
 C CO 49791
 15 JUL 81
 D CO49991
 11 AUG 81
 E CO056164
 6 MAR 85
 F CO60064
 21 AUG 86
 G CO77897
 15 JUN 94
 H CO 79047
 11 JAN 95
 J CO-94417
 24 NOV 99
 K 200061
 22 FEB 00
 DRAWN
 T M M 28 APR 81
 FORMTEK
 FD-32854-B