



Chipsmall Limited consists of a professional team with an average of over 10 year of expertise in the distribution of electronic components. Based in Hongkong, we have already established firm and mutual-benefit business relationships with customers from,Europe,America and south Asia,supplying obsolete and hard-to-find components to meet their specific needs.

With the principle of “Quality Parts,Customers Priority,Honest Operation,and Considerate Service”,our business mainly focus on the distribution of electronic components. Line cards we deal with include Microchip,ALPS,ROHM,Xilinx,Pulse,ON,Everlight and Freescale. Main products comprise IC,Modules,Potentiometer,IC Socket,Relay,Connector.Our parts cover such applications as commercial,industrial, and automotives areas.

We are looking forward to setting up business relationship with you and hope to provide you with the best service and solution. Let us make a better world for our industry!



## Contact us

Tel: +86-755-8981 8866 Fax: +86-755-8427 6832

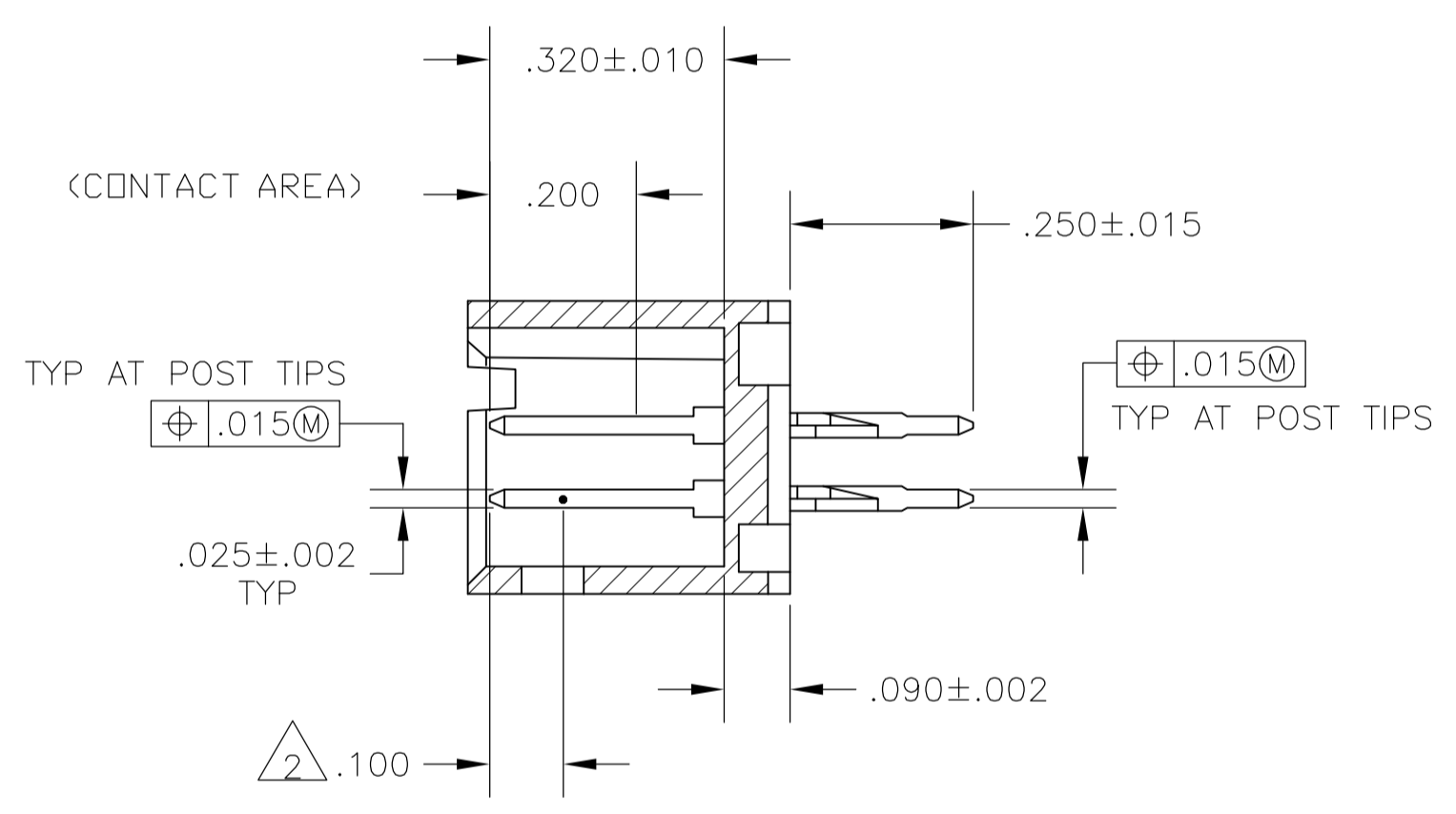
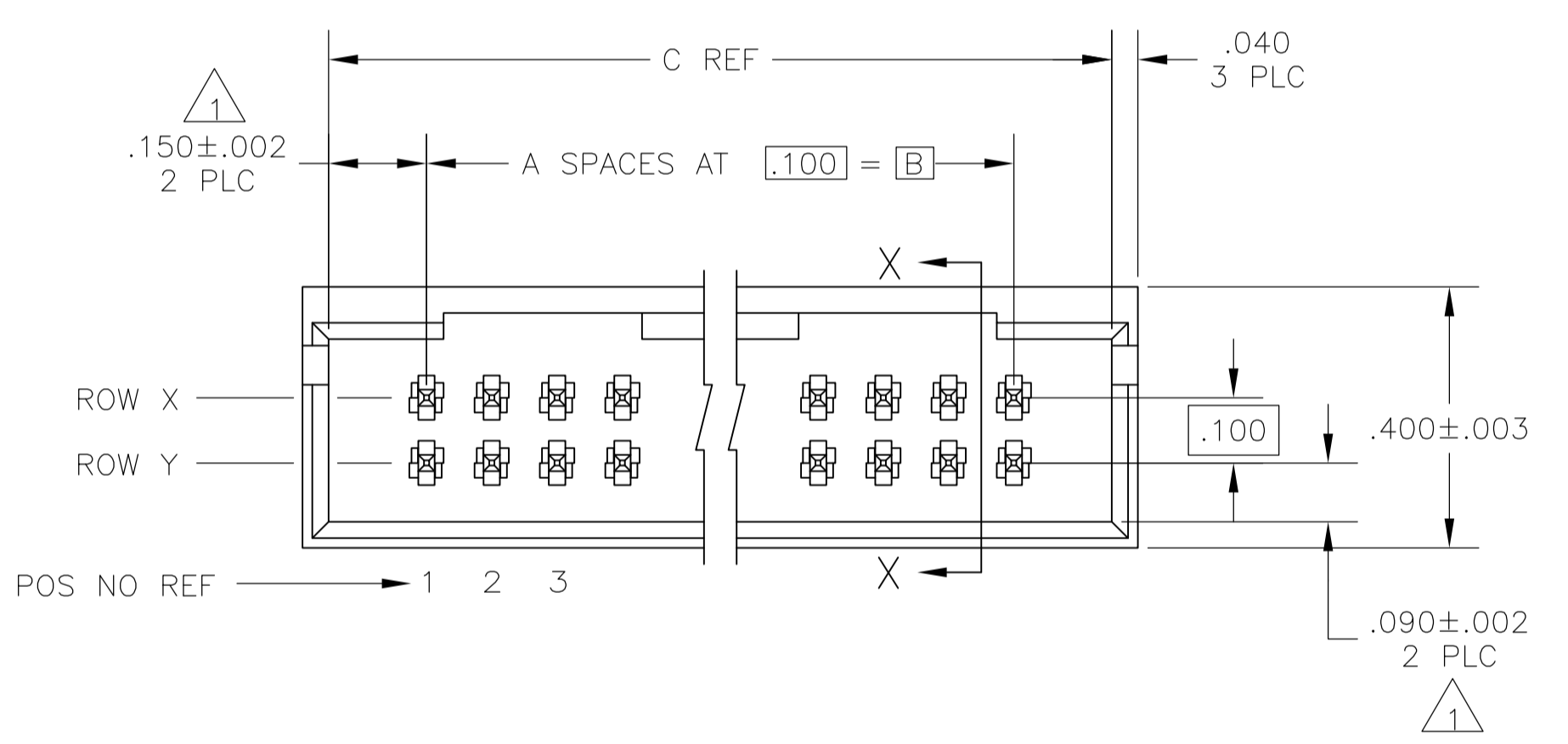
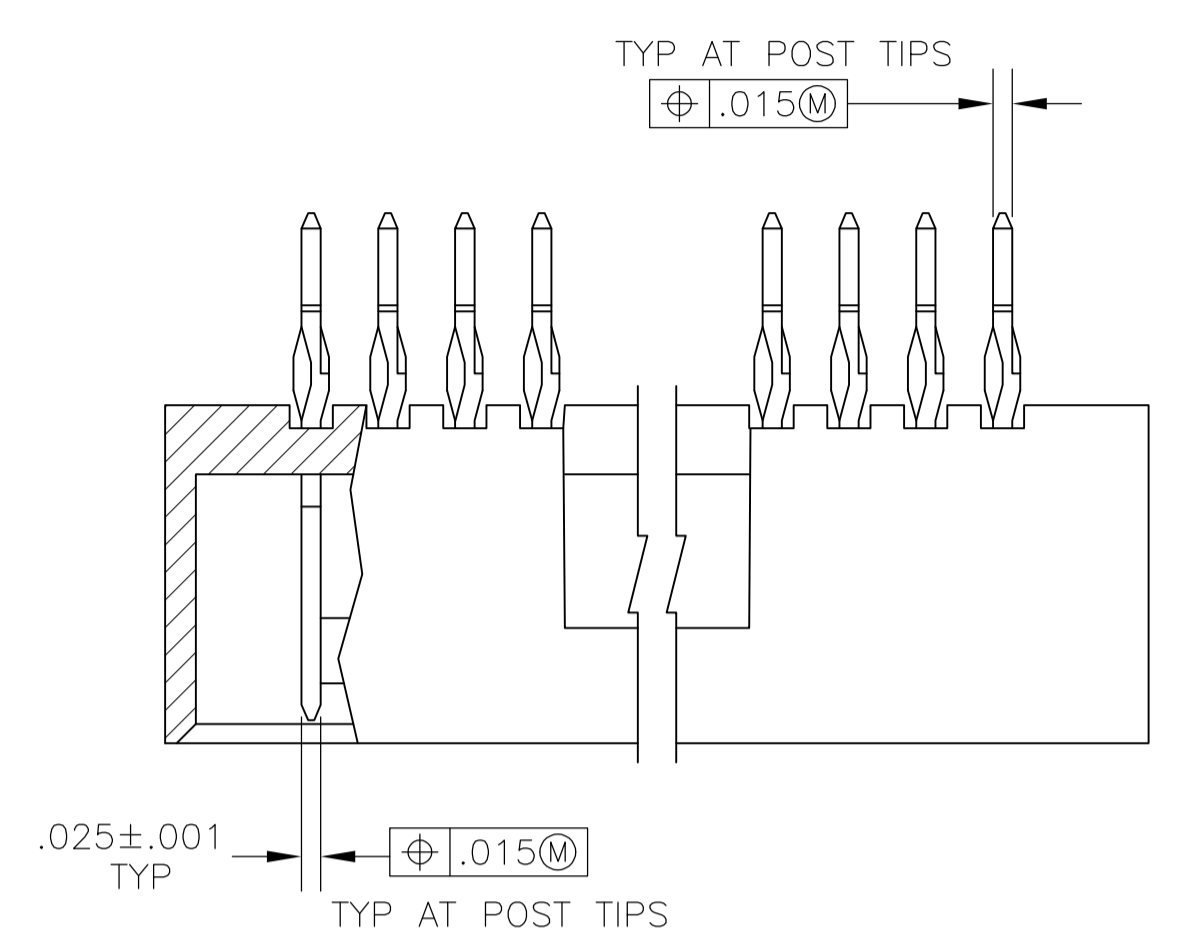
Email & Skype: info@chipsmall.com Web: www.chipsmall.com

Address: A1208, Overseas Decoration Building, #122 Zhenhua RD., Futian, Shenzhen, China

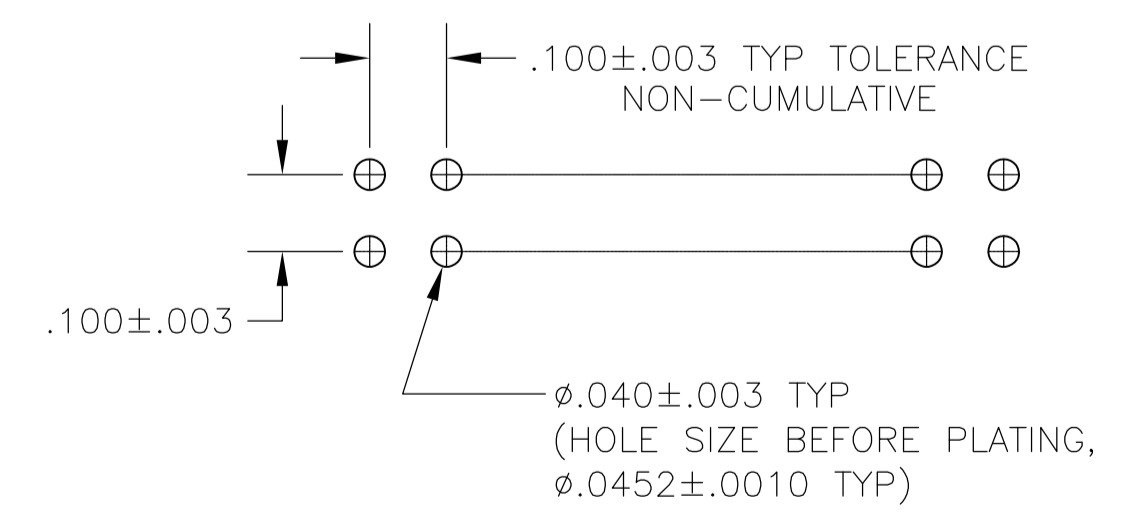
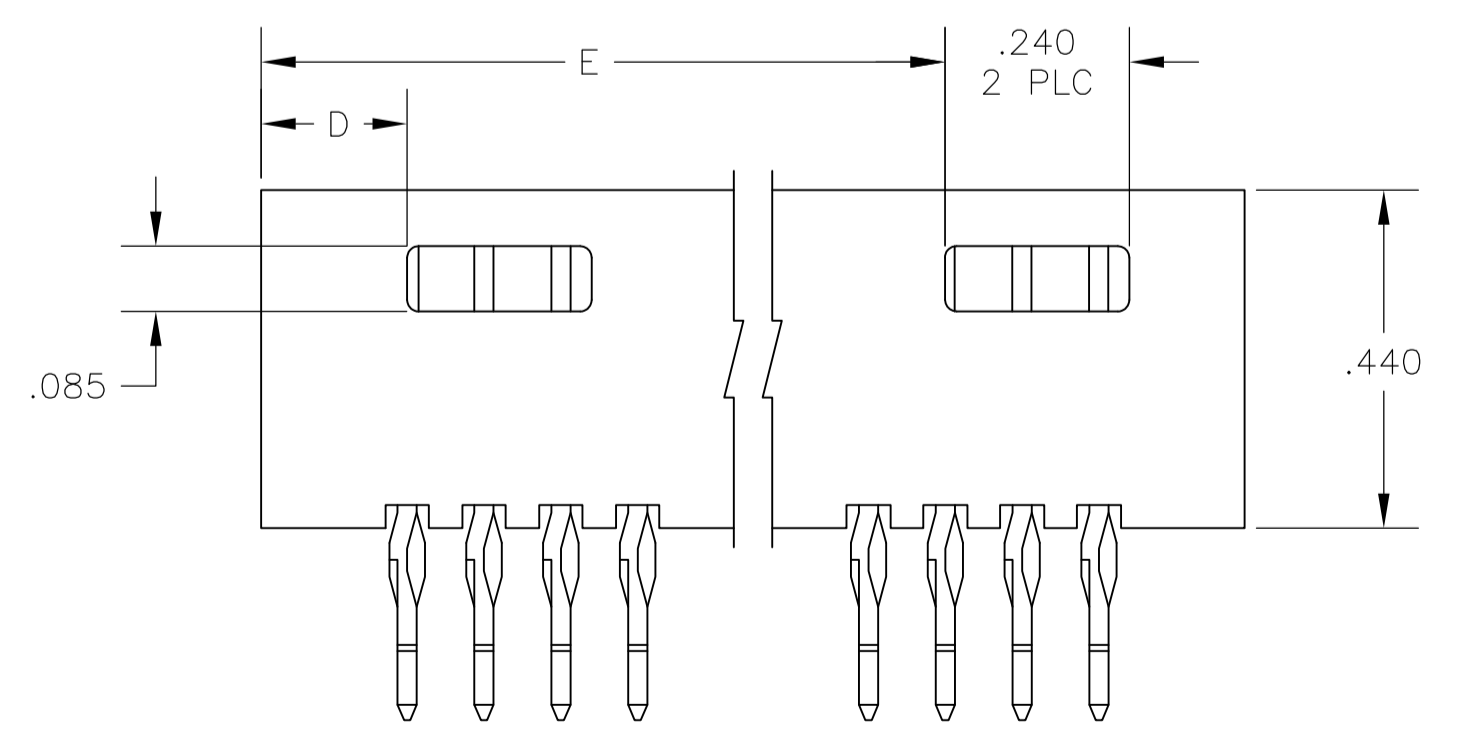


LOC		DIST		REVISIONS				
AD	00	P	LTR	DESCRIPTION	DATE	DN	APVD	
		N3	REVISED PER	ECO-11-004587	11MAR11	RK	HMR	

- 1 THE NOTED DIMENSIONS APPLY AT THE INTERSECTION OF THE POST AND HOUSING
- 2 POINT OF MEASUREMENT FOR PLATING THICKNESS
- 3 POSTS: .000030 GOLD IN CONTACT AREA, .000100-.000200 MATTE TIN-LEAD ON THE SOLDER TAIL, ALL OVER .000050 NICKEL
- 4 POSTS: .000030 GOLD IN CONTACT AREA, .000100-.000200 MATTE TIN ON THE SOLDER TAIL, ALL OVER .000050 NICKEL
- 5 OBSOLETE PARTS: OBSOLETE CIS STREAMLINING PER D.RENAUD/D.SINISI



SECTION X-X



RECOMMENDED HOLE LAYOUT

5	OBSOLETE	5	NONE	.890	.190	1.200	.900	9	20	7-102557-9
5	OBSOLETE	NONE	NONE	1.090	.190	1.400	1.100	11	24	6-102557-7
5	OBSOLETE	NONE	NONE	.490	1.100	.800	.800	8	18	6-102557-5
		NONE	NONE	.390	1.000	.700	.700	7	16	6-102557-4
5	OBSOLETE	NONE	NONE	.390	.900	.600	.600	6	14	6-102557-3
5	OBSOLETE	NONE	NONE	.290	.800	.500	.500	5	12	6-102557-2
		NONE	NONE	.190	.600	.300	.300	3	8	6-102557-1
		NONE	NONE	.190	.500	.200	.200	2	6	6-102557-0
		NONE	NONE	.290	.700	.400	.400	4	10	5-102557-9
		NONE	NONE	2.890	.190	3.200	2.900	29	60	5-102557-7
5	OBSOLETE	NONE	NONE	2.390	.190	2.700	2.400	24	50	5-102557-6
5	OBSOLETE	NONE	NONE	1.590	.190	1.900	1.600	16	34	5-102557-5
5	OBSOLETE	NONE	NONE	1.390	.190	1.700	1.400	14	30	5-102557-4
5	OBSOLETE	NONE	NONE	1.190	.190	1.500	1.200	12	26	5-102557-3
		NONE	NONE	.890	.190	1.200	.900	9	20	5-102557-2
		NONE	NONE	1.890	.190	2.200	1.900	19	40	5-102557-1
5	OBSOLETE	5	NONE	.890	.190	1.200	.900	9	20	2-102557-9
OBSOLETE		NONE	NONE	2.790	.190	3.100	2.800	28	58	2-102557-8
OBSOLETE		NONE	NONE	2.690	.190	3.000	2.700	27	56	2-102557-7
OBSOLETE		NONE	NONE	2.590	.190	2.900	2.600	26	54	2-102557-6
OBSOLETE		NONE	NONE	2.490	.190	2.800	2.500	25	52	2-102557-5
OBSOLETE		NONE	NONE	2.290	.190	2.600	2.300	23	48	2-102557-4
OBSOLETE		NONE	NONE	2.190	.190	2.500	2.200	22	46	2-102557-3
OBSOLETE		NONE	NONE	1.990	.190	2.300	2.000	20	42	2-102557-2
OBSOLETE		NONE	NONE	1.790	.190	2.100	1.800	18	38	2-102557-1
OBSOLETE		NONE	NONE	1.690	.190	2.000	1.700	17	36	2-102557-0
OBSOLETE		NONE	NONE	1.490	.190	1.800	1.500	15	32	1-102557-9
OBSOLETE		NONE	NONE	1.290	.190	1.600	1.300	13	28	1-102557-8
5	OBSOLETE	NONE	NONE	1.090	.190	1.400	1.100	11	24	1-102557-7
OBSOLETE		NONE	NONE	.990	.190	1.300	1.000	10	22	1-102557-6
5	OBSOLETE	NONE	NONE	.490	1.100	.800	.800	8	18	1-102557-5
		NONE	NONE	.390	1.000	.700	.700	7	16	1-102557-4
		NONE	NONE	.390	.900	.600	.600	6	14	1-102557-3
		NONE	NONE	.290	.800	.500	.500	5	12	1-102557-2
		NONE	NONE	.190	.600	.300	.300	3	8	1-102557-1
		NONE	NONE	.190	.500	.200	.200	2	6	1-102557-0
		NONE	NONE	.290	.700	.400	.400	4	10	102557-9
OBSOLETE		NONE	NONE	2.090	.190	2.400	2.100	21	44	102557-8
		NONE	NONE	2.890	.190	3.200	2.900	29	60	102557-7
		NONE	NONE	2.390	.190	2.700	2.400	24	50	102557-6
5	OBSOLETE	NONE	NONE	1.590	.190	1.900	1.600	16	34	102557-5
		NONE	NONE	1.390	.190	1.700	1.400	14	30	102557-4
		NONE	NONE	1.190	.190	1.500	1.200	12	26	102557-3
		NONE	NONE	.890	.190	1.200	.900	9	20	102557-2
		NONE	NONE	1.890	.190	2.200	1.900	19	40	102557-1

PLATING	POSTS OMITTED	E	D	C	B	A	NO OF POSN	ASSEMBLY PART NUMBER

THIS DRAWING IS A CONTROLLED DOCUMENT. **STE** TE Connectivity

APPROVED: L. A. MAYER, T. C. CLARK

PRODUCT SPEC: HDR ASSY, MOD II, COMPLIANT PIN, DBL ROW, .100X.100 C/L, 4 SIDED SHROUD

SIZE: A1, CAGE CODE: 00779, DRAWING NO: 102557

SCALE: 4:1, SHEET 1 OF 1, REV N3