



Chipsmall Limited consists of a professional team with an average of over 10 year of expertise in the distribution of electronic components. Based in Hongkong, we have already established firm and mutual-benefit business relationships with customers from,Europe,America and south Asia,supplying obsolete and hard-to-find components to meet their specific needs.

With the principle of "Quality Parts,Customers Priority,Honest Operation,and Considerate Service",our business mainly focus on the distribution of electronic components. Line cards we deal with include Microchip,ALPS,ROHM,Xilinx,Pulse,ON,Everlight and Freescale. Main products comprise IC,Modules,Potentiometer,IC Socket,Relay,Connector.Our parts cover such applications as commercial,industrial, and automotives areas.

We are looking forward to setting up business relationship with you and hope to provide you with the best service and solution. Let us make a better world for our industry!



Contact us

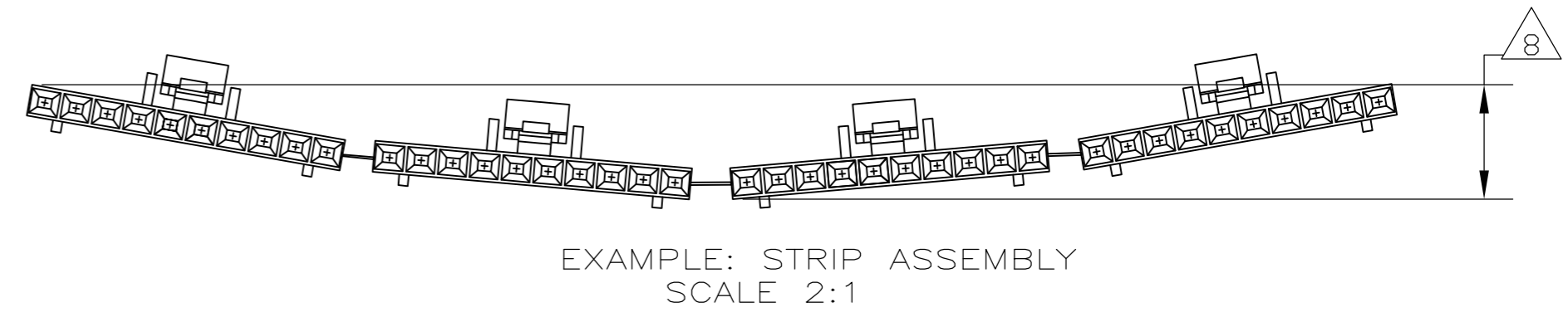
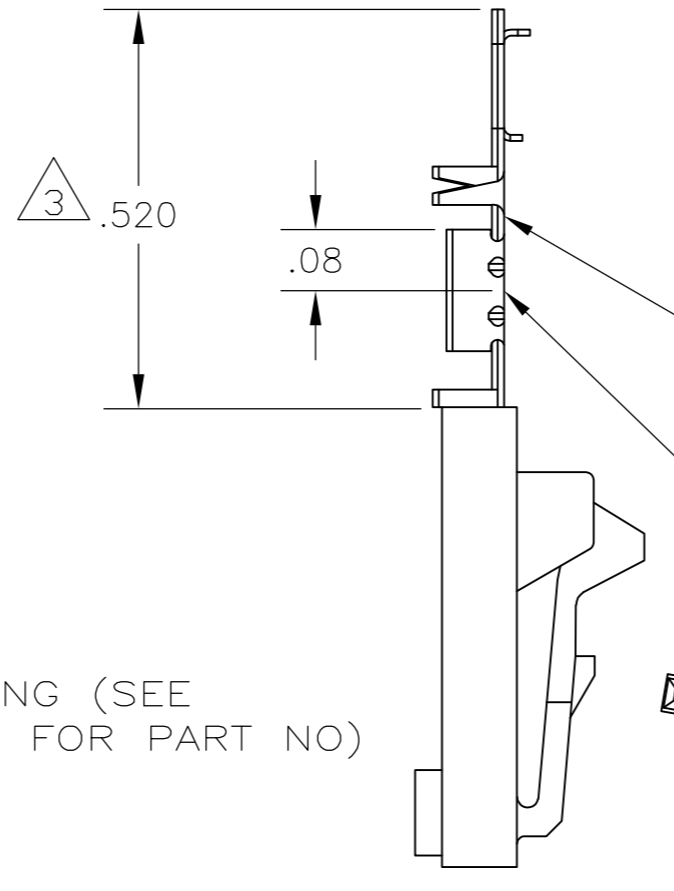
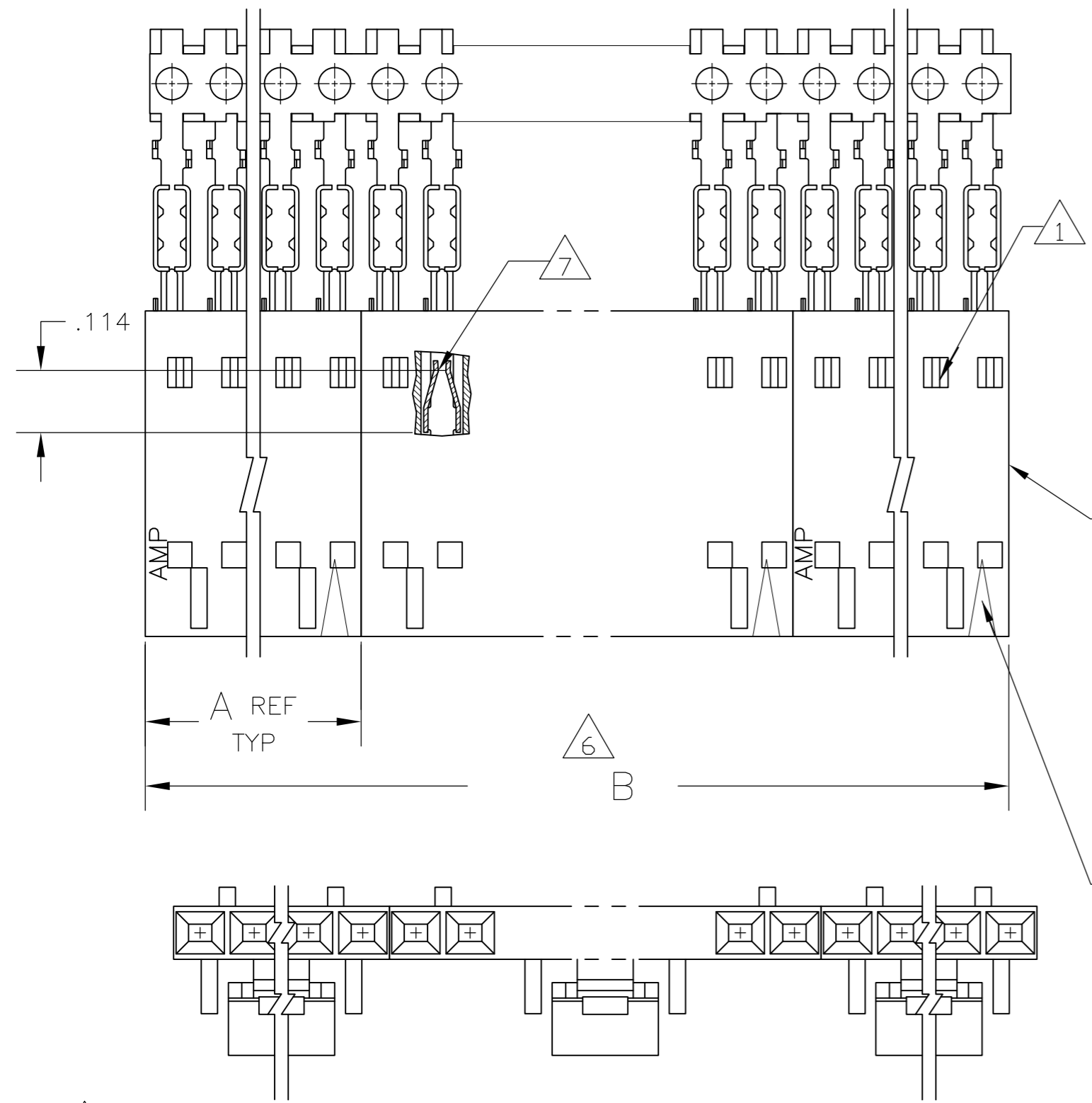
Tel: +86-755-8981 8866 Fax: +86-755-8427 6832

Email & Skype: info@chipsmall.com Web: www.chipsmall.com

Address: A1208, Overseas Decoration Building, #122 Zhenhua RD., Futian, Shenzhen, China



LOC	DIST	REVISIONS					
AD	00	P	LTR	DESCRIPTION	DATE	DWN	APVD
		M2		REVISED PER ECO-11-004917	11MAR11	RK	HMR



HOUSING (SEE TABLE FOR PART NO)

POSITION #1 INDICATOR (FARSIDE)

- 1 CONTACTS ARE LATCHED INTO THE PRELOAD WINDOWS
- 2 USE WITH #26-#30 AWG WIRE SIZE, .054/.030 INSULATION DIAMETER, .015 MAXIMUM INSULATION THICKNESS
- 3 THE DIMENSION APPLIES WITH THE FORWARD PRELOAD STOP IN CONTACT WITH THE HOUSING SURFACE
- 4 POINT OF MEASUREMENT FOR PLATING THICKNESS
- 5 FOR INDIVIDUAL ASSEMBLIES SEE PART NUMBER 103641
- 6 ASSEMBLIES ARE JOINED BY THE CARRIER STRIP. ORDER QUANTITY REFLECTS TOTAL NUMBER OF INDIVIDUAL ASSEMBLIES REQUIRED. SEE TABLE FOR NUMBER OF ASSEMBLIES PER STRIP.
- 7 POINT OF MEASUREMENT FOR PLATING THICKNESS (INSIDE BEAMS)
- 8 MAXIMUM ALLOWABLE BOW OF ASSEMBLY NOT TO EXCEED .055.
- 9 .000100-.000200 BRIGHT TIN-LEAD OVER .000050 NICKEL.
- 10 .000100-.000200 BRIGHT TIN OVER .000050 NICKEL.
- 11 PRELIMINARY PART - NOT RELEASED FOR PRODUCTION.
- 12 .000100-.000200 MATTE TIN OVER .000050 NICKEL.
- 13 OBSOLETE PARTS: OBSOLETE CIS STREAMLINING PER D.RENAUD/D.SINISI

13	12	2	2.40	1.198	1-104257-1	12	6-103959-1	
13	12	2	2.20	1.098	1-104257-0	11	6-103959-0	
	12	2	2.00	.998	104257-9	10	5-103959-9	
	12	2	1.80	.898	104257-8	9	5-103959-8	
	12	2	1.60	.798	104257-7	8	5-103959-7	
13	12	2	1.40	.698	104257-6	7	5-103959-6	
	12	4	2.39	.598	104257-5	6	5-103959-5	
	12	4	1.99	.498	104257-4	5	5-103959-4	
	12	5	1.99	.398	104257-3	4	5-103959-3	
	12	8	2.40	.298	104257-2	3	5-103959-2	
	12	10	2.00	.198	104257-1	2	5-103959-1	
	10	5	1.99	.398	104257-3	4	1-103959-3	
	11	4	1.99	.498	104257-4	5	1-103959-2	
13	9	2	2.40	1.198	1-104257-1	12	1-103959-1	
13	9	2	2.20	1.098	1-104257-0	11	1-103959-0	
	9	2	2.00	.998	104257-9	10	103959-9	
13	SUPERSEDED	2	1.80	.898	104257-8	9	103959-8	
	9	2	1.60	.798	104257-7	8	103959-7	
13	9	2	1.40	.698	104257-6	7	103959-6	
	9	4	2.39	.598	104257-5	6	103959-5	
	9	4	1.99	.498	104257-4	5	103959-4	
	9	5	1.99	.398	104257-3	4	103959-3	
	9	8	2.40	.298	104257-2	3	103959-2	
	9	10	2.00	.198	104257-1	2	103959-1	
			△6	B	A	HOUSING PART NUMBER	NO OF POSN	ASSEMBLY PART NUMBER ON STRIP

THIS DRAWING IS A CONTROLLED DOCUMENT.		DWN	L A MAYER	11-4-86
DIMENSIONS: INCHES		CHK	P de Jong	11-12-86
TOLERANCES UNLESS OTHERWISE SPECIFIED:		APVD	P de Jong	11-12-86
0 PLC	± -	PRODUCT SPEC	108-25034	NAME
1 PLC	± -	APPLICATION SPEC	114-25026	
2 PLC	± .02	WEIGHT	-	SIZE
3 PLC	± .005	CAGE CODE	00779	
4 PLC	± -	SCALE	4:1	SHEET
ANGLES	± -	REV	M2	
FINISH	SEE TABLE	CUSTOMER DRAWING		

TE Connectivity
 RCPT ASSY, AMPMODU MTE, SINGLE ROW .100 C/L, LATCHED AND POLARIZED FOR #26-#30 AWG WIRE SIZE, STRIP FORM