



Chipsmall Limited consists of a professional team with an average of over 10 year of expertise in the distribution of electronic components. Based in Hongkong, we have already established firm and mutual-benefit business relationships with customers from,Europe,America and south Asia,supplying obsolete and hard-to-find components to meet their specific needs.

With the principle of “Quality Parts,Customers Priority,Honest Operation,and Considerate Service”,our business mainly focus on the distribution of electronic components. Line cards we deal with include Microchip,ALPS,ROHM,Xilinx,Pulse,ON,Everlight and Freescale. Main products comprise IC,Modules,Potentiometer,IC Socket,Relay,Connector.Our parts cover such applications as commercial,industrial, and automotives areas.

We are looking forward to setting up business relationship with you and hope to provide you with the best service and solution. Let us make a better world for our industry!



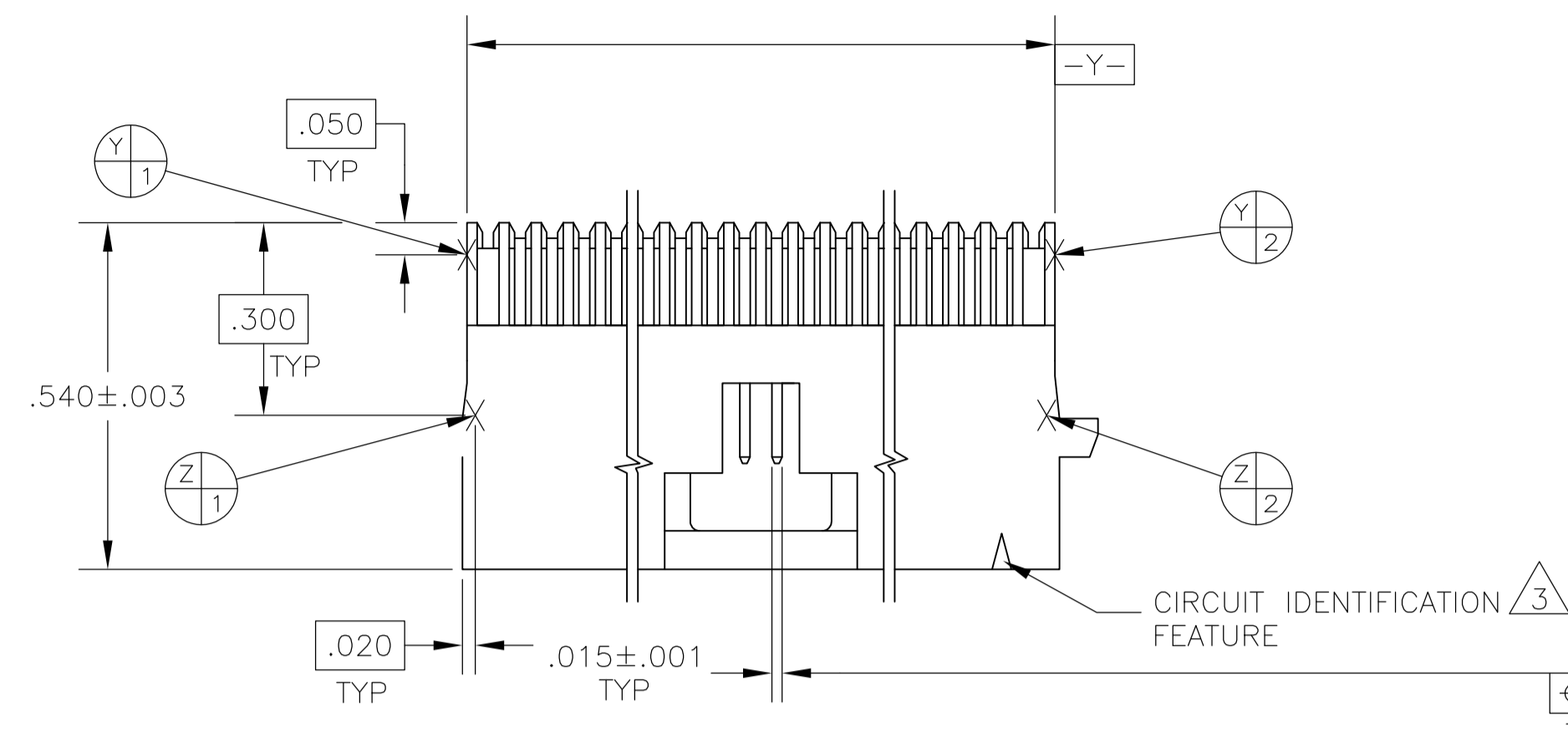
## Contact us

Tel: +86-755-8981 8866 Fax: +86-755-8427 6832

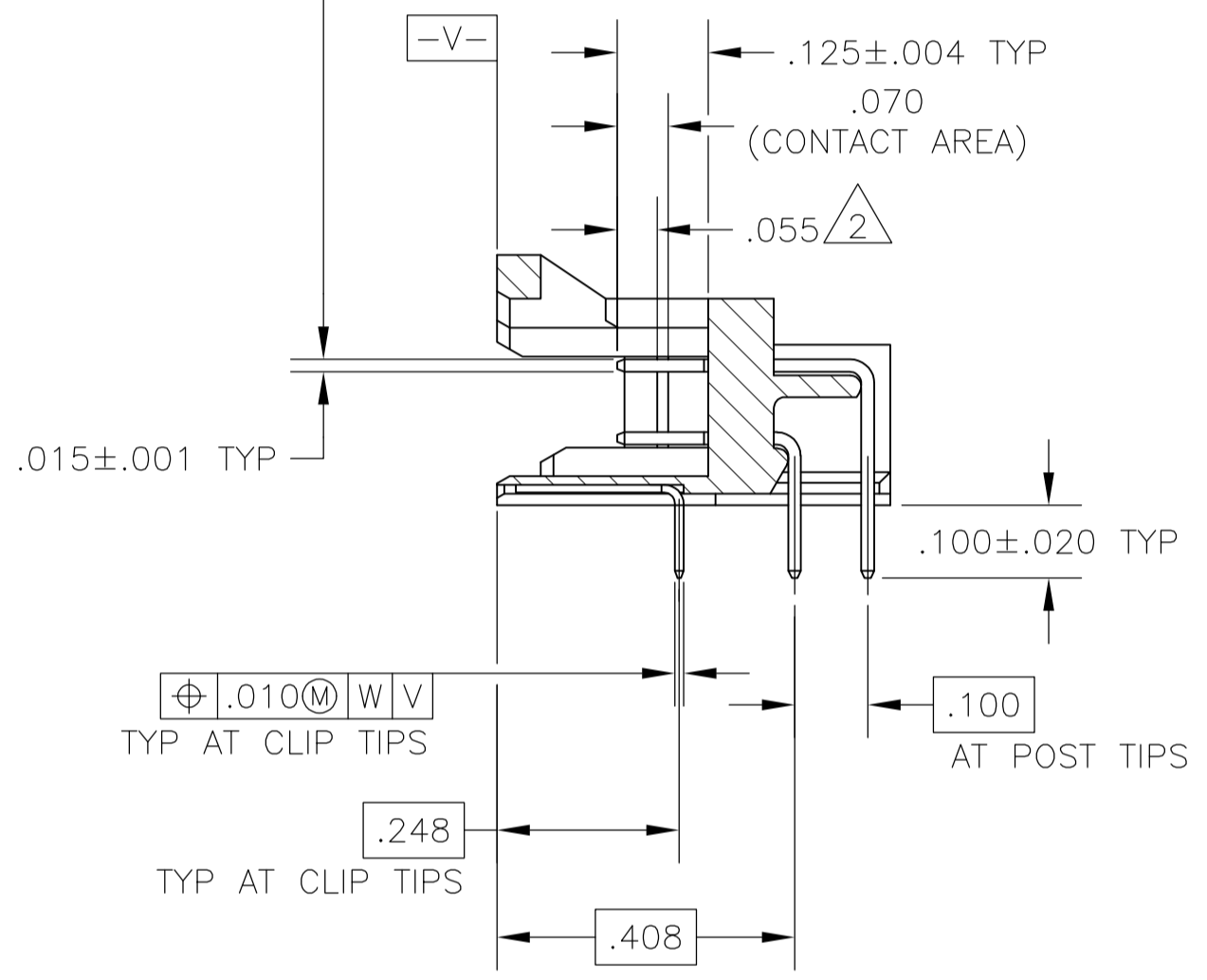
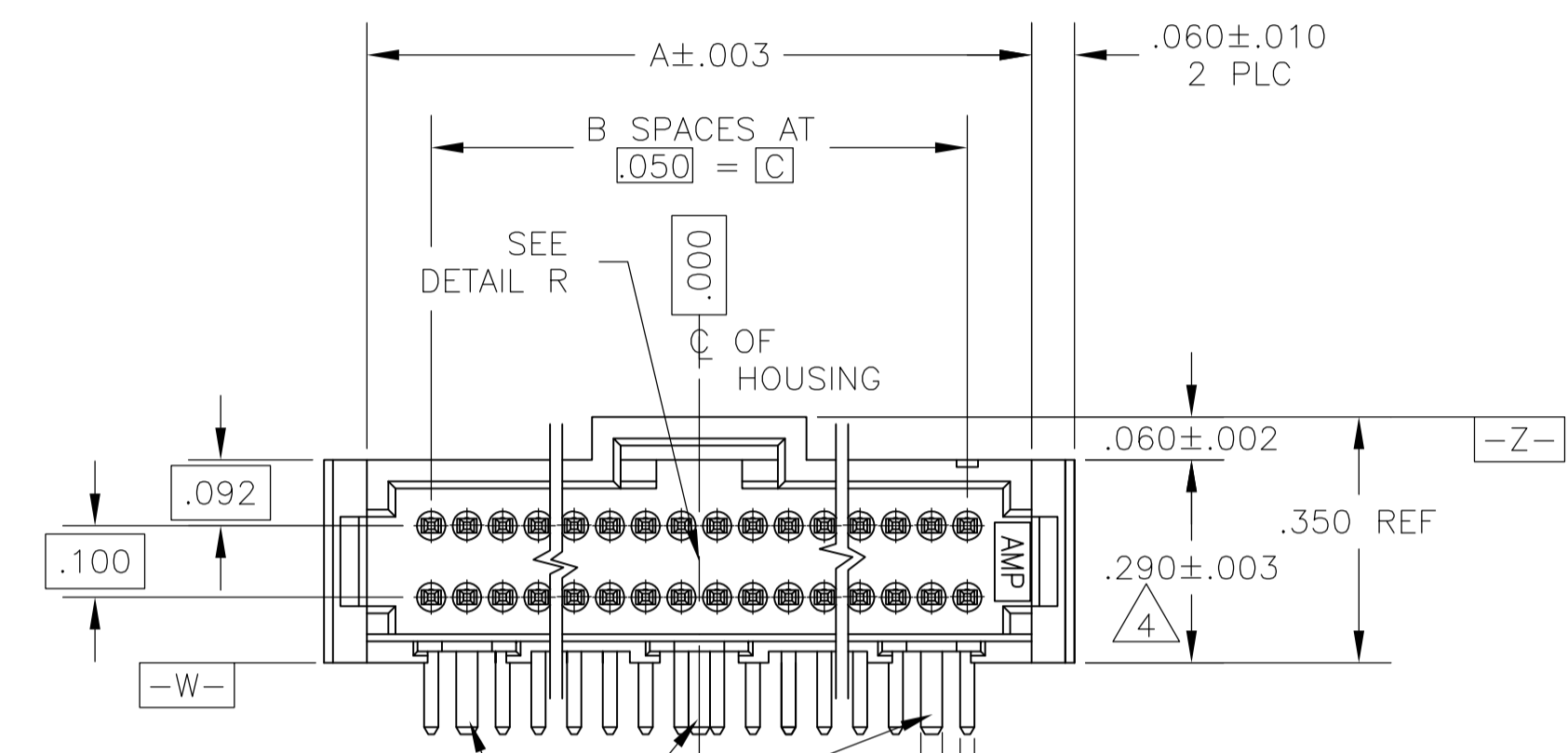
Email & Skype: info@chipsmall.com Web: www.chipsmall.com

Address: A1208, Overseas Decoration Building, #122 Zhenhua RD., Futian, Shenzhen, China





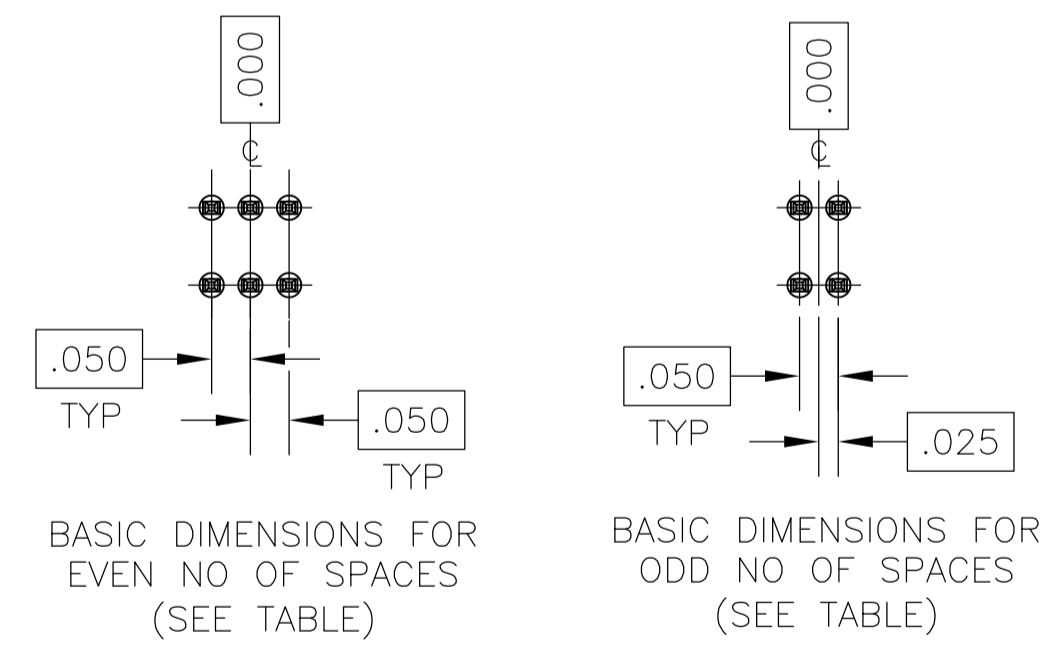
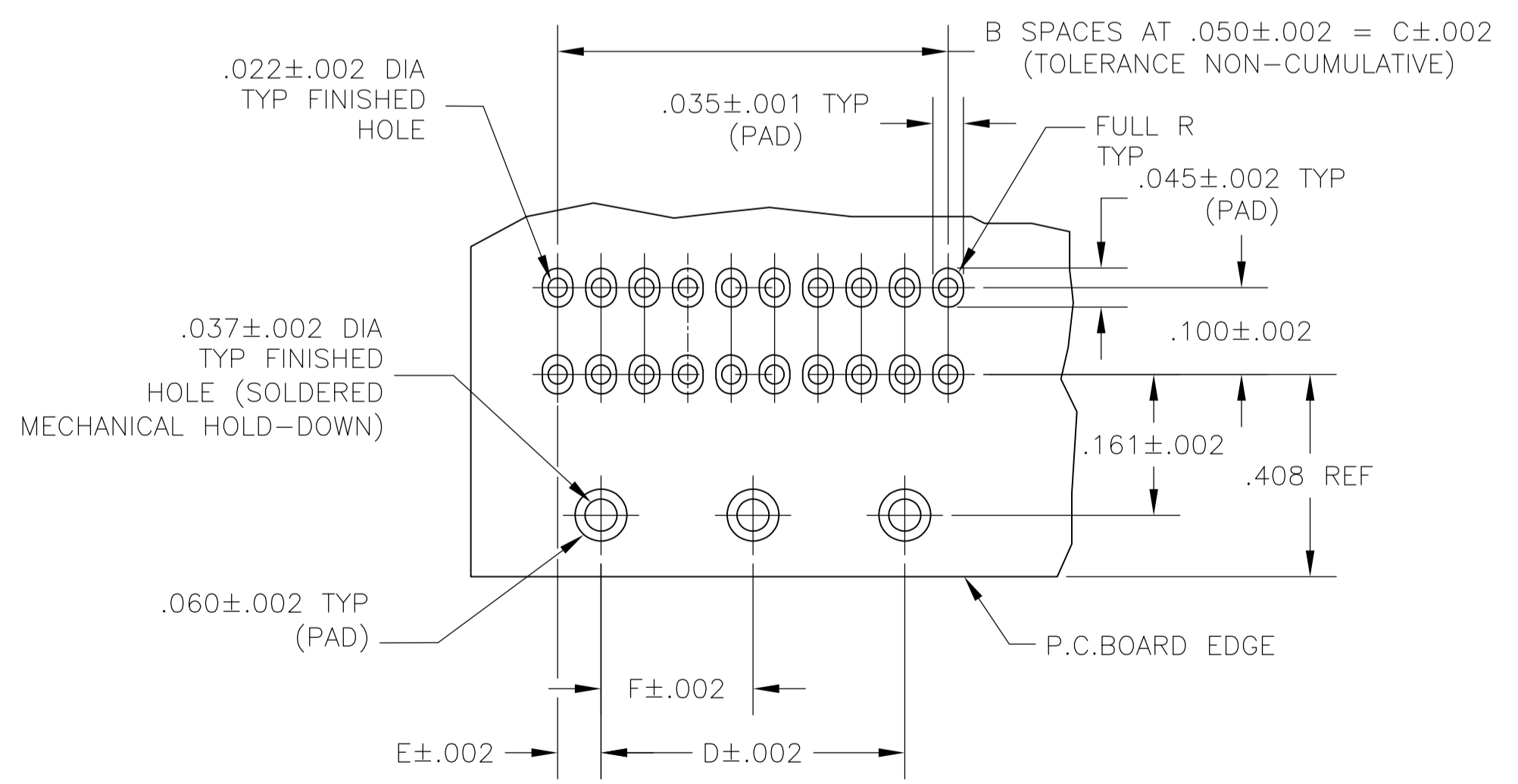
- 1 CONTACT AREA PLATED WITH .000030 MIN GOLD, SOLDER LEADS PLATED WITH .000150 TIN LEAD, ALL OVER .000050 NICKEL
- 2 POINT OF MEASUREMENT FOR GOLD THICKNESS
- 3 CIRCUIT IDENTIFICATION FEATURE OMITTED ON 8,10,12,& 14 POSITION HEADER ASSEMBLIES
- 4 DIMENSION APPLIES AT BASE OF SHROUD
- 5 THE NOTED DIMENSIONS APPLY AT THE INTERSECTION OF THE POST AND HOUSING
- 6 CONTACT AREA PLATED WITH .000030 MIN GOLD, SOLDER LEADS PLATED WITH .000150 TIN, ALL OVER .000050 NICKEL
- 7 OBSOLETE PARTS: OBSOLETE CIS STREAMLINING PER D.RENAUD/D.SINISI



HOLD DOWN FEATURES LOCATED AS SHOWN FOR 16 THRU 100 POSN ASSEMBLIES (SEE TABLE)

HOLD DOWN FEATURES LOCATED AS SHOWN FOR 8 THRU 14 & 60 THRU 100 POSN ASSEMBLIES (SEE TABLE)

		.775	.050	1.550	1.650	33	1.830	68	6-104069-8
		1.175	.050	2.350	2.450	49	2.630	100	6-104069-7
		.825	.050	1.650	1.750	35	1.930	72	6-104069-6
6	PRELIMINARY	-	.050	.950	1.050	21	1.230	44	6-104069-5
		-	.050	.700	.800	16	.980	34	6-104069-4
		-	.050	.500	.600	12	.780	26	6-104069-3
		-	.050	.450	.550	11	.730	24	6-104069-2
		-	.050	.250	.350	7	.530	16	6-104069-1
6	PRELIMINARY	-	.150	-	.300	6	.480	14	6-104069-0
		-	.125	-	.250	5	.430	12	5-104069-9
		-	.075	-	.150	3	.330	8	5-104069-8
		.675	.050	1.350	1.450	29	1.630	60	5-104069-7
		-	.050	.850	.950	19	1.130	40	5-104069-6
		-	.050	.600	.700	14	.880	30	5-104069-5
		-	.100	-	.200	4	.380	10	5-104069-4
		.925	.050	1.850	1.950	39	2.130	80	5-104069-3
		-	.050	1.100	1.200	24	1.380	50	5-104069-2
		-	.050	.350	.450	9	.630	20	5-104069-1
		.775	.050	1.550	1.650	33	1.830	68	1-104069-8
		1.175	.050	2.350	2.450	49	2.630	100	1-104069-7
		.825	.050	1.650	1.750	35	1.930	72	1-104069-6
1	OBSOLETE	-	.050	.950	1.050	21	1.230	44	1-104069-5
		-	.050	.700	.800	16	.980	34	1-104069-4
		-	.050	.500	.600	12	.780	26	1-104069-3
		-	.050	.450	.550	11	.730	24	1-104069-2
		-	.050	.250	.350	7	.530	16	1-104069-1
		-	.150	-	.300	6	.480	14	1-104069-0
1	OBSOLETE	-	.125	-	.250	5	.430	12	104069-9
1	OBSOLETE	-	.075	-	.150	3	.330	8	104069-8
		.675	.050	1.350	1.450	29	1.630	60	104069-7
		-	.050	.850	.950	19	1.130	40	104069-6
		-	.050	.600	.700	14	.880	30	104069-5
		-	.100	-	.200	4	.380	10	104069-4
		.925	.050	1.850	1.950	39	2.130	80	104069-3
		-	.050	1.100	1.200	24	1.380	50	104069-2
		-	.050	.350	.450	9	.630	20	104069-1



RECOMMENDED HOLE PATTERN

THIS DRAWING IS A CONTROLLED DOCUMENT. DIN D. CLOUSER 10-3-88. CHK T. ZOLA 10-3-88. APVD T. ZOLA 10-3-88. NAME: HEADER ASSEMBLY, RIGHT ANGLE, DOUBLE ROW, W/SIDE & END LATCHES, AMPMODU System 50. DIMENSIONS: INCHES. TOLERANCES UNLESS OTHERWISE SPECIFIED: 0 PLC ±, 1 PLC ±, 2 PLC ±, 3 PLC ±.005, 4 PLC ±, ANGLES ±. MATERIAL: HOUSING:THERMOPLASTIC, COLOUR:BLACK, CONTACT: COPPER ALLOY. FINISH: SEE TABLE. WEIGHT: -. SIZE: A1. CAGE CODE: 00779. DRAWING NO: 104069. CUSTOMER DRAWING. SCALE: 4:1. SHEET: 1 of 1. REV: Z5.