



Chipsmall Limited consists of a professional team with an average of over 10 year of expertise in the distribution of electronic components. Based in Hongkong, we have already established firm and mutual-benefit business relationships with customers from,Europe,America and south Asia,supplying obsolete and hard-to-find components to meet their specific needs.

With the principle of “Quality Parts,Customers Priority,Honest Operation,and Considerate Service”,our business mainly focus on the distribution of electronic components. Line cards we deal with include Microchip,ALPS,ROHM,Xilinx,Pulse,ON,Everlight and Freescale. Main products comprise IC,Modules,Potentiometer,IC Socket,Relay,Connector.Our parts cover such applications as commercial,industrial, and automotives areas.

We are looking forward to setting up business relationship with you and hope to provide you with the best service and solution. Let us make a better world for our industry!



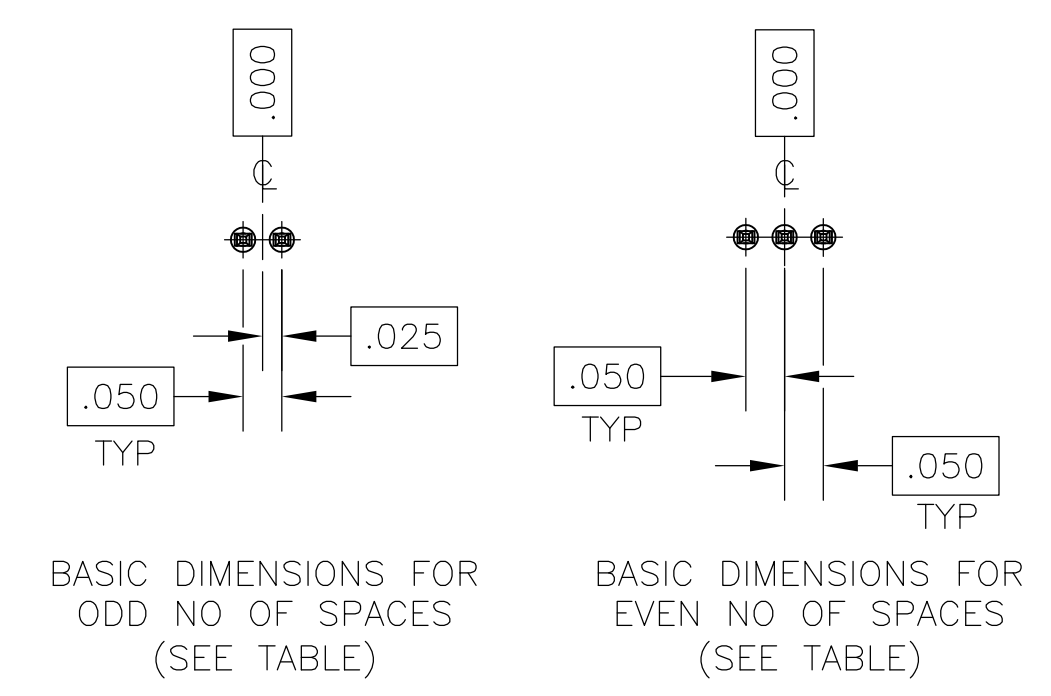
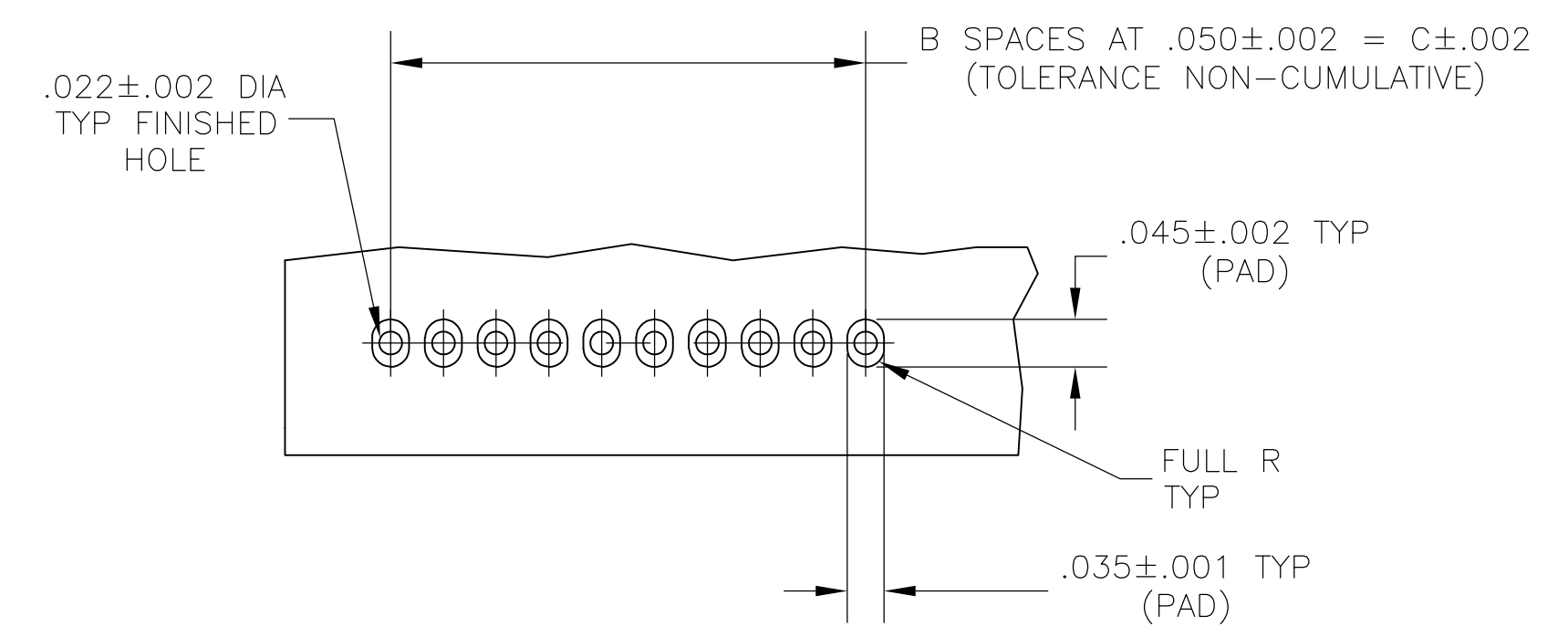
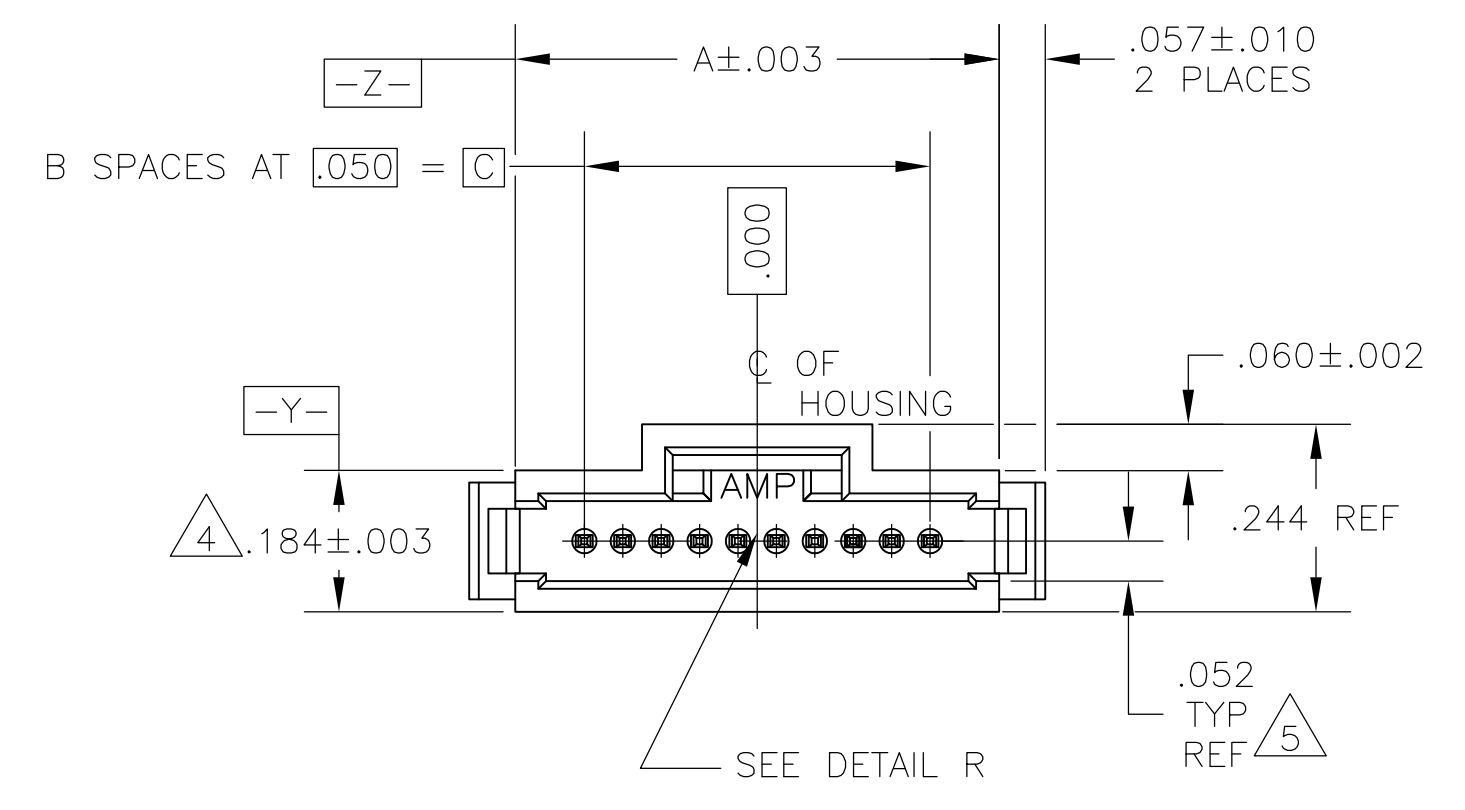
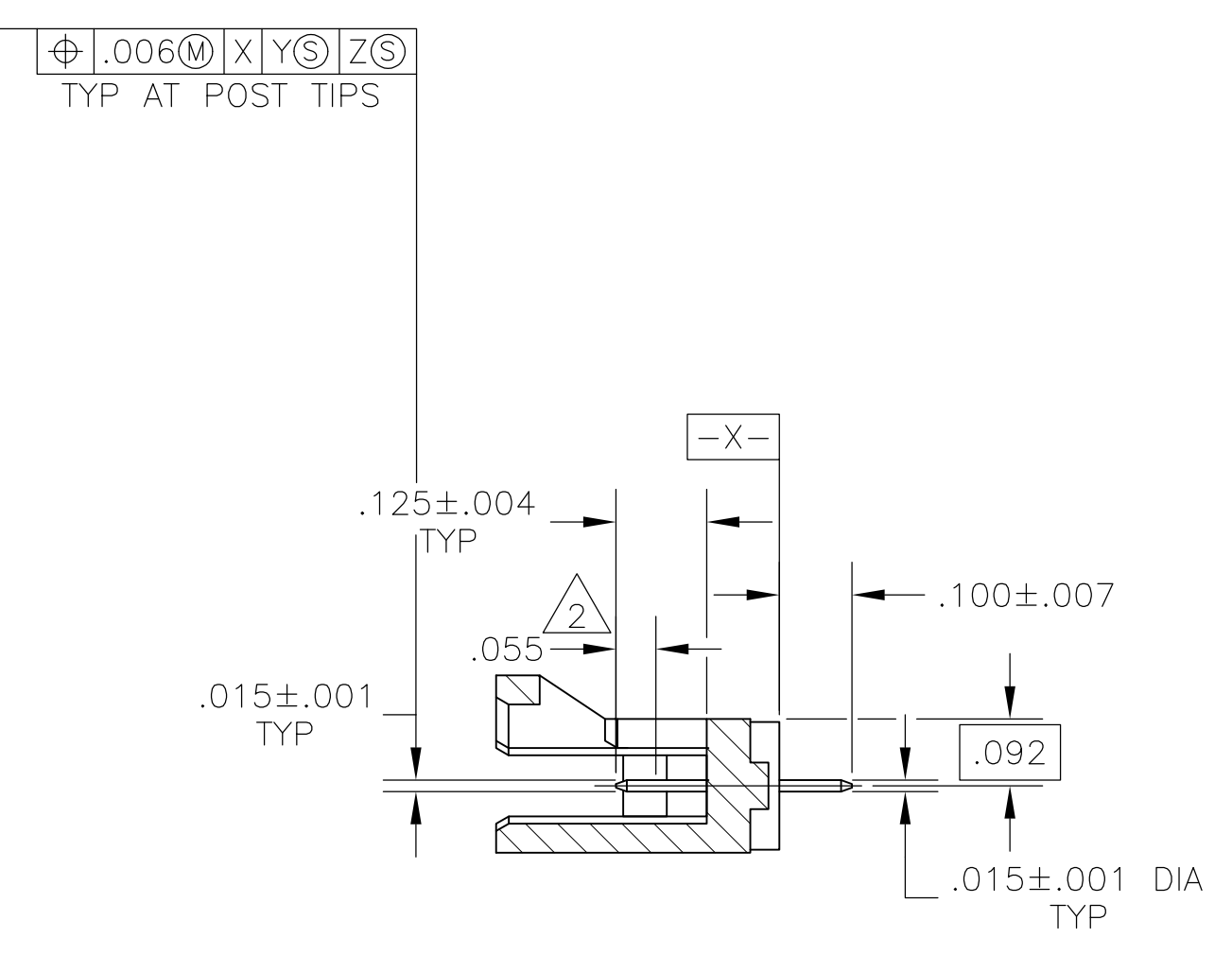
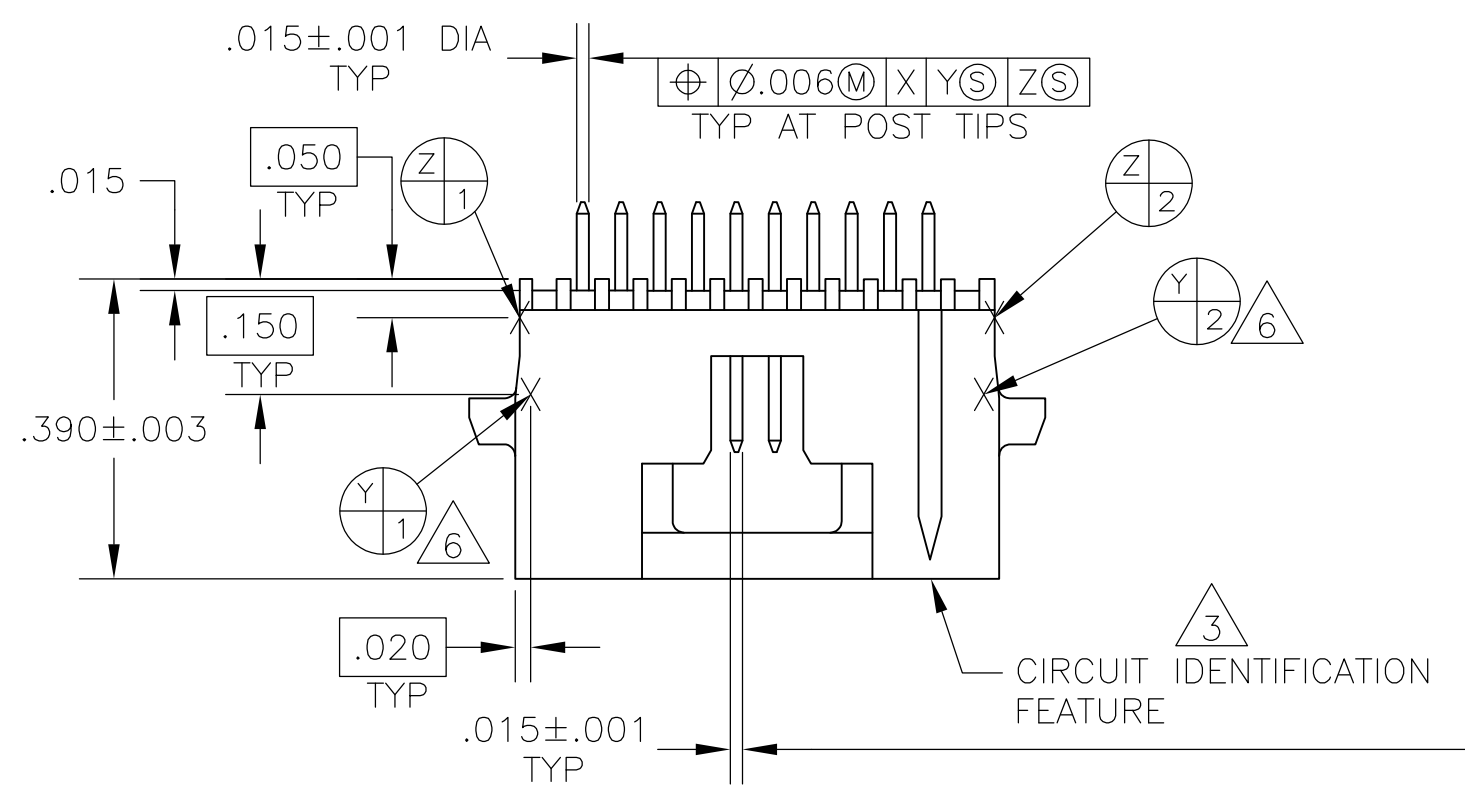
Contact us

Tel: +86-755-8981 8866 Fax: +86-755-8427 6832

Email & Skype: info@chipsmall.com Web: www.chipsmall.com

Address: A1208, Overseas Decoration Building, #122 Zhenhua RD., Futian, Shenzhen, China





- 1 CONTACT AREAS PLATED WITH .000030 GOLD, SOLDER TAILS PLATED WITH .000150 TIN-LEAD, ALL OVER .000050 NICKEL
- 2 POINT OF MEASUREMENT FOR GOLD THICKNESS
- 3 CIRCUIT IDENTIFICATION FEATURE OMITTED ON 4,5,6 AND 7 POSITION HEADER ASSEMBLIES
- 4 DIMENSION APPLIES AT BASE OF SHROUD
- 5 THE NOTED DIMENSIONS APPLY AT THE INTERSECTION OF THE POST & HOUSING
- 6 Y1, Y2, Y3, Y4 ARE LOCATED THE SAME AS Y1, Y2 EXCEPT ON OPPOSITE SIDE OF HOUSING.
- 7 CONTACT AREAS PLATED WITH .000030 GOLD, SOLDER TAILS PLATED WITH .000150 TIN, ALL OVER .000050 NICKEL
- 8 OBSOLETE PARTS: OBSOLETE CIS STREAMLINING PER D.RENAUD/D.SINISI

OBsolete	1.250	25	1.430	26	7-104071-0
OBsolete	2.450	49	2.630	50	6-104071-9
OBsolete	2.200	44	2.380	45	6-104071-8
OBsolete	1.950	39	2.130	40	6-104071-7
OBsolete	1.750	35	1.930	36	6-104071-6
OBsolete	1.300	26	1.480	27	6-104071-5
OBsolete	1.050	21	1.230	22	6-104071-4
OBsolete	.800	16	.980	17	6-104071-3
OBsolete	.600	12	.780	13	6-104071-2
OBsolete	.550	11	.730	12	6-104071-1
OBsolete	.350	7	.530	8	6-104071-0
OBsolete	.300	6	.480	7	5-104071-9
OBsolete	.250	5	.430	6	5-104071-8
OBsolete	.150	3	.330	4	5-104071-7
OBsolete	1.450	29	1.630	30	5-104071-6
OBsolete	1.200	24	1.380	25	5-104071-5
OBsolete	.950	19	1.130	20	5-104071-4
OBsolete	.700	14	.880	15	5-104071-3
OBsolete	.200	4	.380	5	5-104071-2
OBsolete	.450	9	.630	10	5-104071-1
SUPERSEDED BY 6-104071-9	1.250	25	1.430	26	2-104071-0
OBsolete	2.450	49	2.630	50	1-104071-9
OBsolete	2.200	44	2.380	45	1-104071-8
OBsolete	1.950	39	2.130	40	1-104071-7
OBsolete	1.750	35	1.930	36	1-104071-6
OBsolete	1.300	26	1.480	27	1-104071-5
OBsolete	1.050	21	1.230	22	1-104071-4
OBsolete	.800	16	.980	17	1-104071-3
OBsolete	.600	12	.780	13	1-104071-2
OBsolete	.550	11	.730	12	1-104071-1
OBsolete	.350	7	.530	8	1-104071-0
OBsolete	.300	6	.480	7	104071-9
OBsolete	.250	5	.430	6	104071-8
OBsolete	.150	3	.330	4	104071-7
OBsolete	1.450	29	1.630	30	104071-6
OBsolete	1.200	24	1.380	25	104071-5
OBsolete	.950	19	1.130	20	104071-4
OBsolete	.700	14	.880	15	104071-3
OBsolete	.200	4	.380	5	104071-2
OBsolete	.450	9	.630	10	104071-1

THIS DRAWING IS A CONTROLLED DOCUMENT.

DIMENSIONS: INCHES	TOLERANCES UNLESS OTHERWISE SPECIFIED:	0 PLC ± -	1 PLC ± -	2 PLC ± -	3 PLC ± .005	4 PLC ± -	ANGLES ± -
--------------------	--	-----------	-----------	-----------	--------------	-----------	------------

MATERIAL: HOUSING-THERMOPLASTIC COLOR-BLACK CONTACT-COPPER ALLOY

FINISH: 1, 2

APPROVED: R. DURBIN 12-19-88

NAME: HEADER ASSEMBLY, VERTICAL, SINGLE ROW, W/SIDE & END LATCHES, AMPMODU System 50

PRODUCT SPEC: 108-1093

APPLICATION SPEC: 114-25031

WEIGHT: -

SIZE: A1

CAGE CODE: 00779

DRAWING NO: 104071

RESTRICTED TO: -

CUSTOMER DRAWING

SCALE: 4:1

SHEET: 1 OF 1

REV: N2