



Chipsmall Limited consists of a professional team with an average of over 10 year of expertise in the distribution of electronic components. Based in Hongkong, we have already established firm and mutual-benefit business relationships with customers from,Europe,America and south Asia,supplying obsolete and hard-to-find components to meet their specific needs.

With the principle of “Quality Parts,Customers Priority,Honest Operation,and Considerate Service”,our business mainly focus on the distribution of electronic components. Line cards we deal with include Microchip,ALPS,ROHM,Xilinx,Pulse,ON,Everlight and Freescale. Main products comprise IC,Modules,Potentiometer,IC Socket,Relay,Connector.Our parts cover such applications as commercial,industrial, and automotives areas.

We are looking forward to setting up business relationship with you and hope to provide you with the best service and solution. Let us make a better world for our industry!



## Contact us

Tel: +86-755-8981 8866 Fax: +86-755-8427 6832

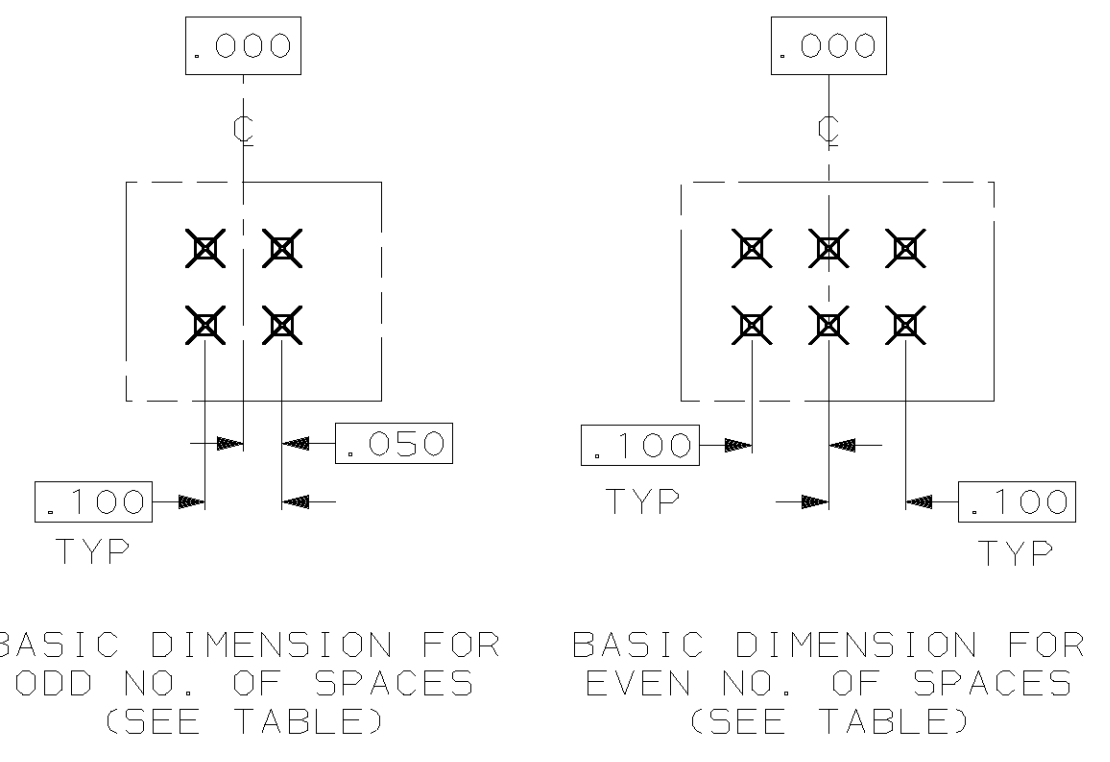
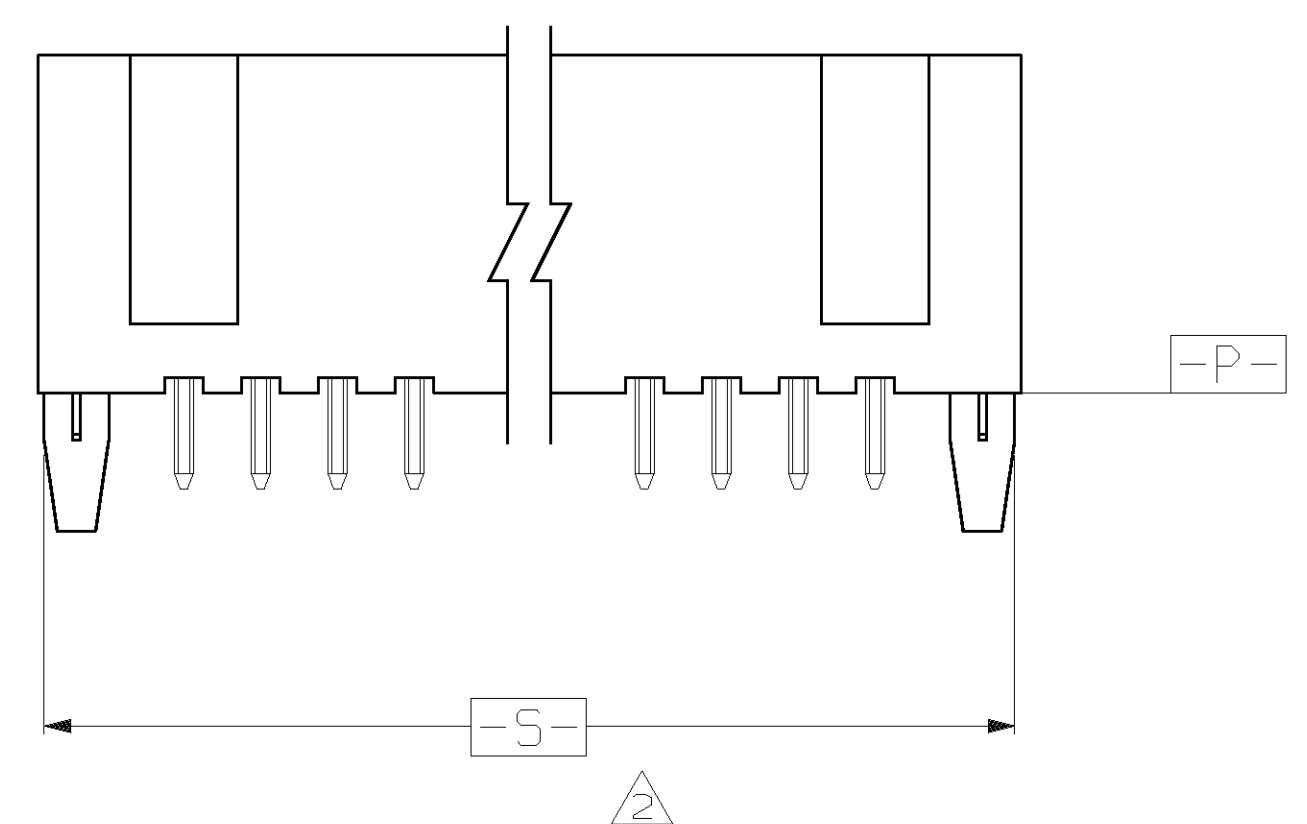
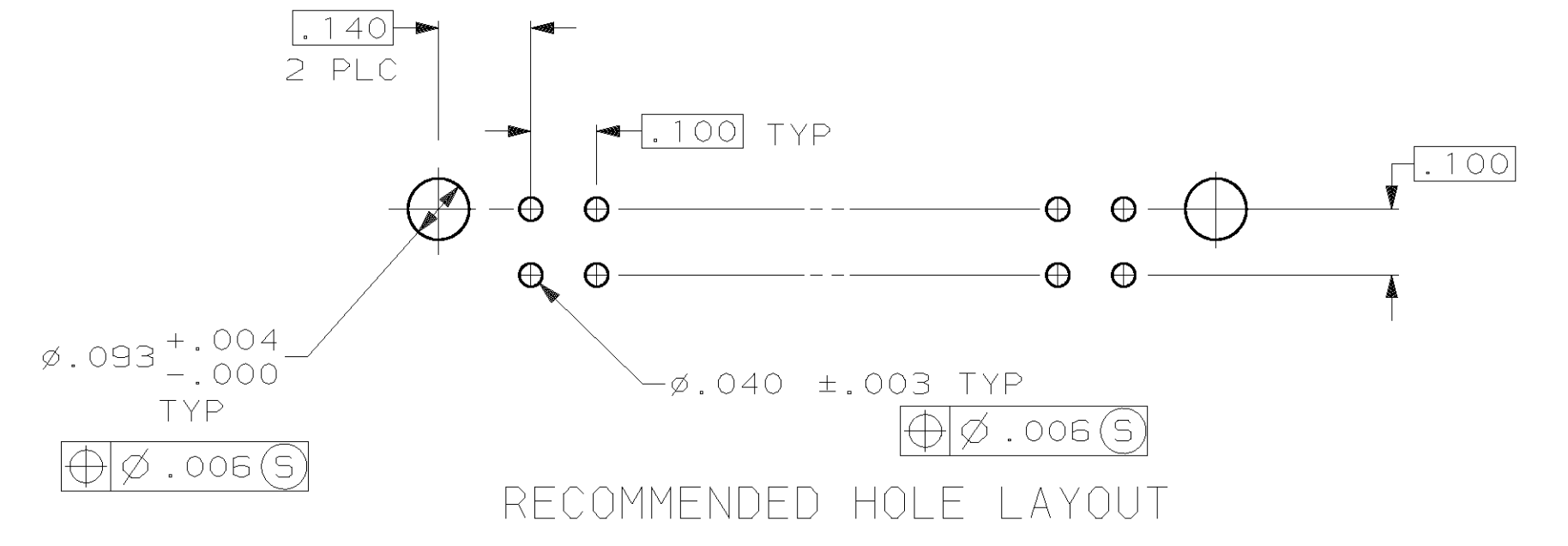
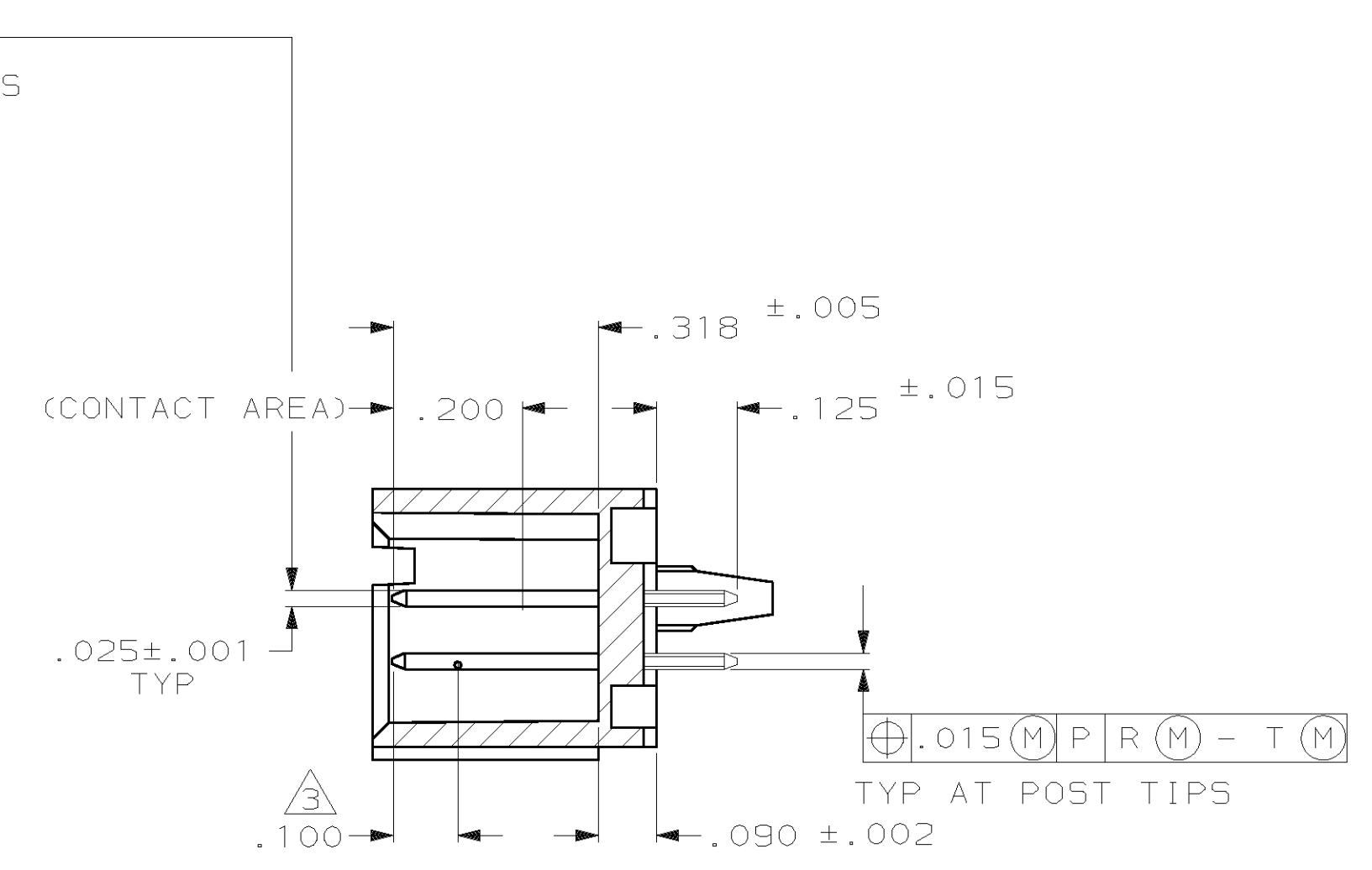
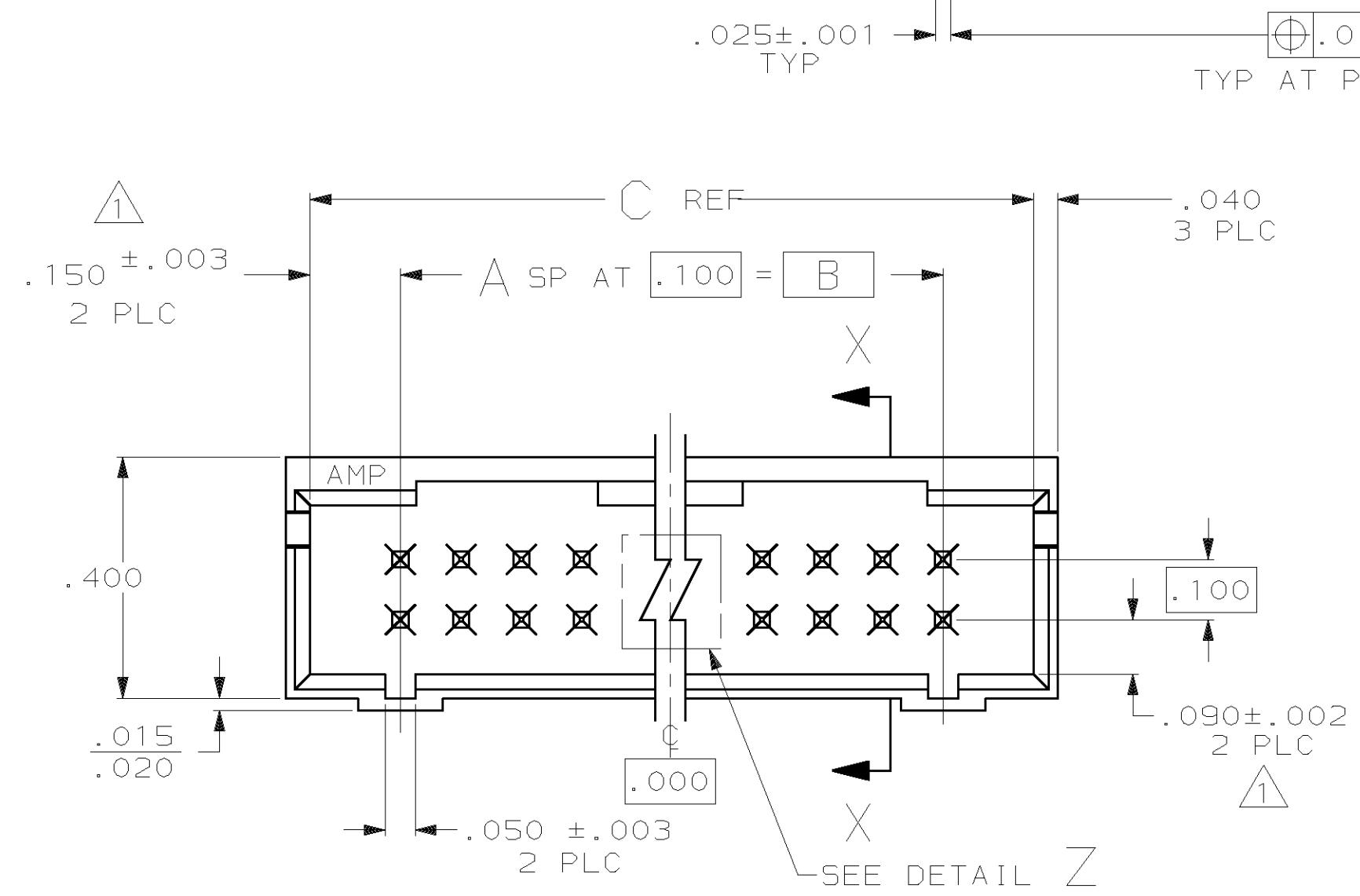
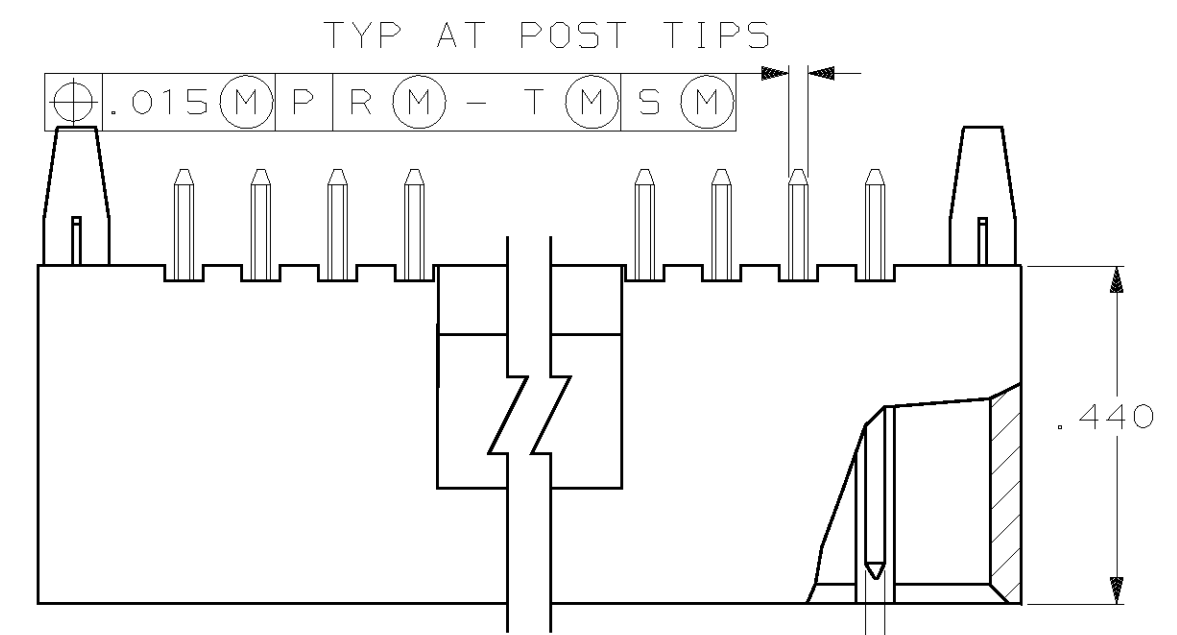
Email & Skype: info@chipsmall.com Web: www.chipsmall.com

Address: A1208, Overseas Decoration Building, #122 Zhenhua RD., Futian, Shenzhen, China



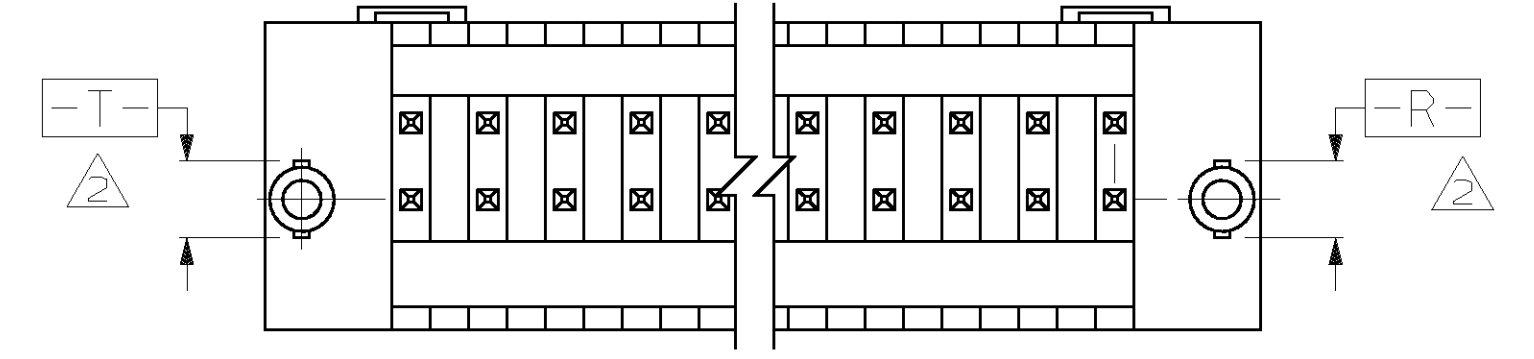
LOC		DIST		P		F		ZONE		LTR		REVISIONS		DATE	APPD
AD	39												REV PER 063C-0375-02	11OCT02	JG

- ① THE NOTED DIMENSIONS APPLY AT THE INTERSECTION OF THE POST AND HOUSING
- ② THE NOTED DIMENSIONS APPLY AT THE INTERSECTION WITH DATUM  $\overline{-P-}$
- ③ POINT OF MEASUREMENT FOR PLATING THICKNESS
- ④ PRELIMINARY PART - NOT RELEASED FOR PRODUCTION.



BASIC DIMENSION FOR ODD NO. OF SPACES (SEE TABLE)  
 BASIC DIMENSION FOR EVEN NO. OF SPACES (SEE TABLE)

C	B	A	NO OF POSN	ASSEMBLY PART NUMBER
.600	.300	3	8	1-104317-9
1.900	1.600	16	34	1-104317-8
2.000	1.700	17	36	1-104317-7
1.000	.700	7	16	1-104317-6
2.300	2.000	20	42	1-104317-5
2.700	2.400	24	50	1-104317-4
2.600	2.300	23	48	1-104317-3
2.200	1.900	19	40	1-104317-2
1.800	1.500	15	32	1-104317-1
1.700	1.400	14	30	1-104317-0
1.500	1.200	12	26	104317-9
1.400	1.100	11	24	104317-8
1.300	1.000	10	22	104317-7
1.200	.900	9	20	104317-6
1.100	.800	8	18	104317-5
.900	.600	6	14	104317-4
.800	.500	5	12	104317-3
.700	.400	4	10	104317-2
.500	.200	2	6	104317-1



DO NOT SCALE PRINT. UNLESS SPECIFIED DIMENSIONS IN mm (INCHES)		DR 10-19-87 H MOLL		AMP AMP Incorporated Harrisburg, PA 17105-3608	
TOLERANCES ON:	CHK 10-19-87 R FEIDT	NAME	HDR ASSY, MOD II, SHROUDED, 4 SIDES, DBL ROW, VERTICAL, .100X.100 CL, WITH .025 SQ POSTS		
2 PLC DEC ± .005	APPD 10-19-87 R FEIDT	MATERIAL HOUSING:	FLAME RETARDANT THERMOPLASTIC, COLOR-BLACK		
ANGLES ±	APPD 10-19-87 R ELICKER	PRODUCT SPEC	-		
POSTS: PH05 BRONZE	FINISH POSTS:	APPLICATION SPEC	SIZE	CAGE CODE	DRAWING NO
.000015 GOLD IN CONTACT AREA, .000100-.000200 MATTE TIN-LEAD ON SOLDER TAIL, ALL OVER .000050 NICKEL	WEIGHT	SCALE	D 4:1	00779	C= 104317
					SHEET OF 1

THIS DRAWING IS A CONTROLLED DOCUMENT FOR AMP INCORPORATED. IT IS SUBJECT TO CHANGE AND THE CONTROLLING ENGINEERING ORGANIZATION SHOULD BE CONTACTED FOR THE LATEST REVISION.