



Chipsmall Limited consists of a professional team with an average of over 10 year of expertise in the distribution of electronic components. Based in Hongkong, we have already established firm and mutual-benefit business relationships with customers from,Europe,America and south Asia,supplying obsolete and hard-to-find components to meet their specific needs.

With the principle of “Quality Parts,Customers Priority,Honest Operation,and Considerate Service”,our business mainly focus on the distribution of electronic components. Line cards we deal with include Microchip,ALPS,ROHM,Xilinx,Pulse,ON,Everlight and Freescale. Main products comprise IC,Modules,Potentiometer,IC Socket,Relay,Connector.Our parts cover such applications as commercial,industrial, and automotives areas.

We are looking forward to setting up business relationship with you and hope to provide you with the best service and solution. Let us make a better world for our industry!



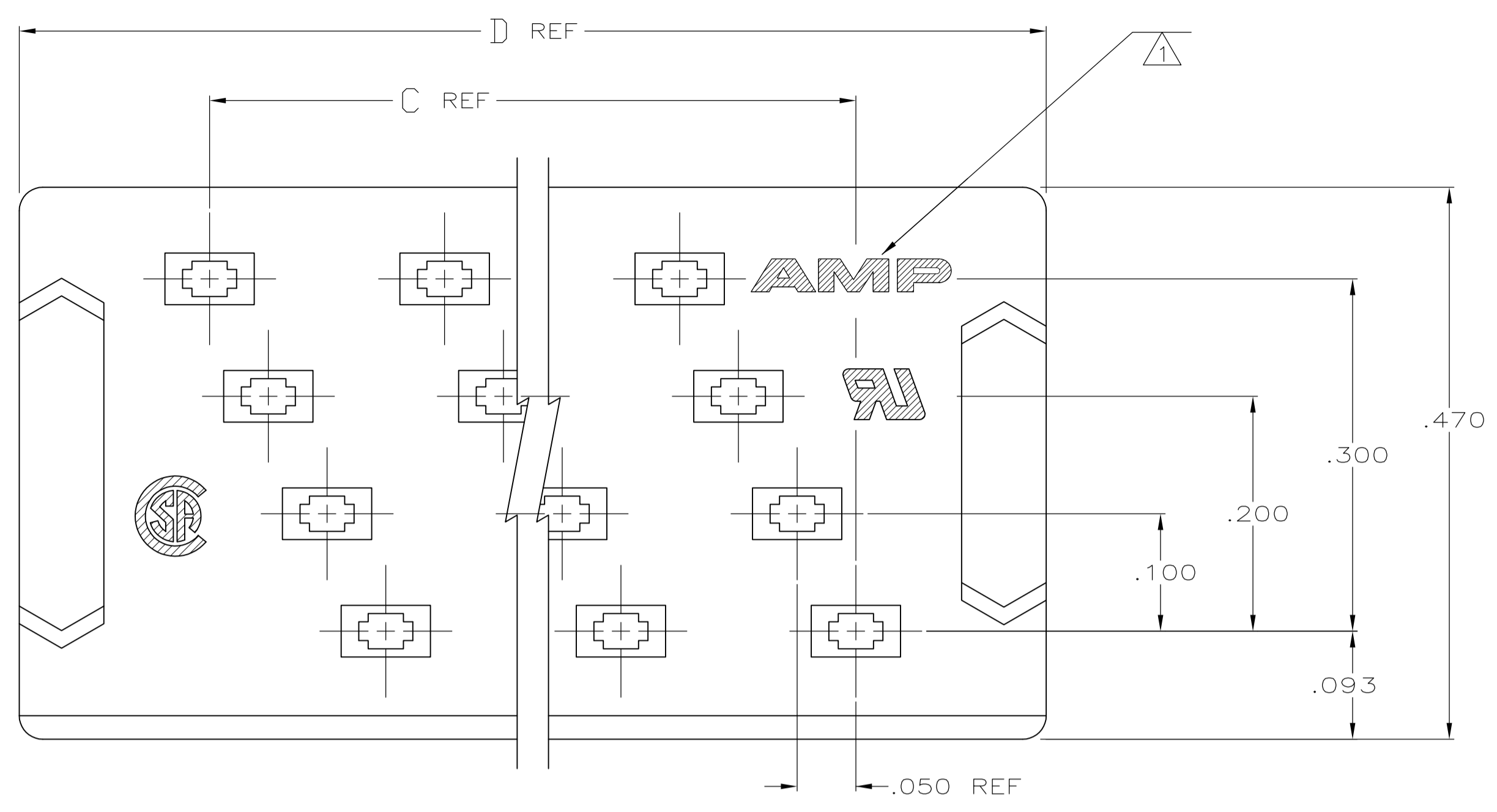
## Contact us

Tel: +86-755-8981 8866 Fax: +86-755-8427 6832

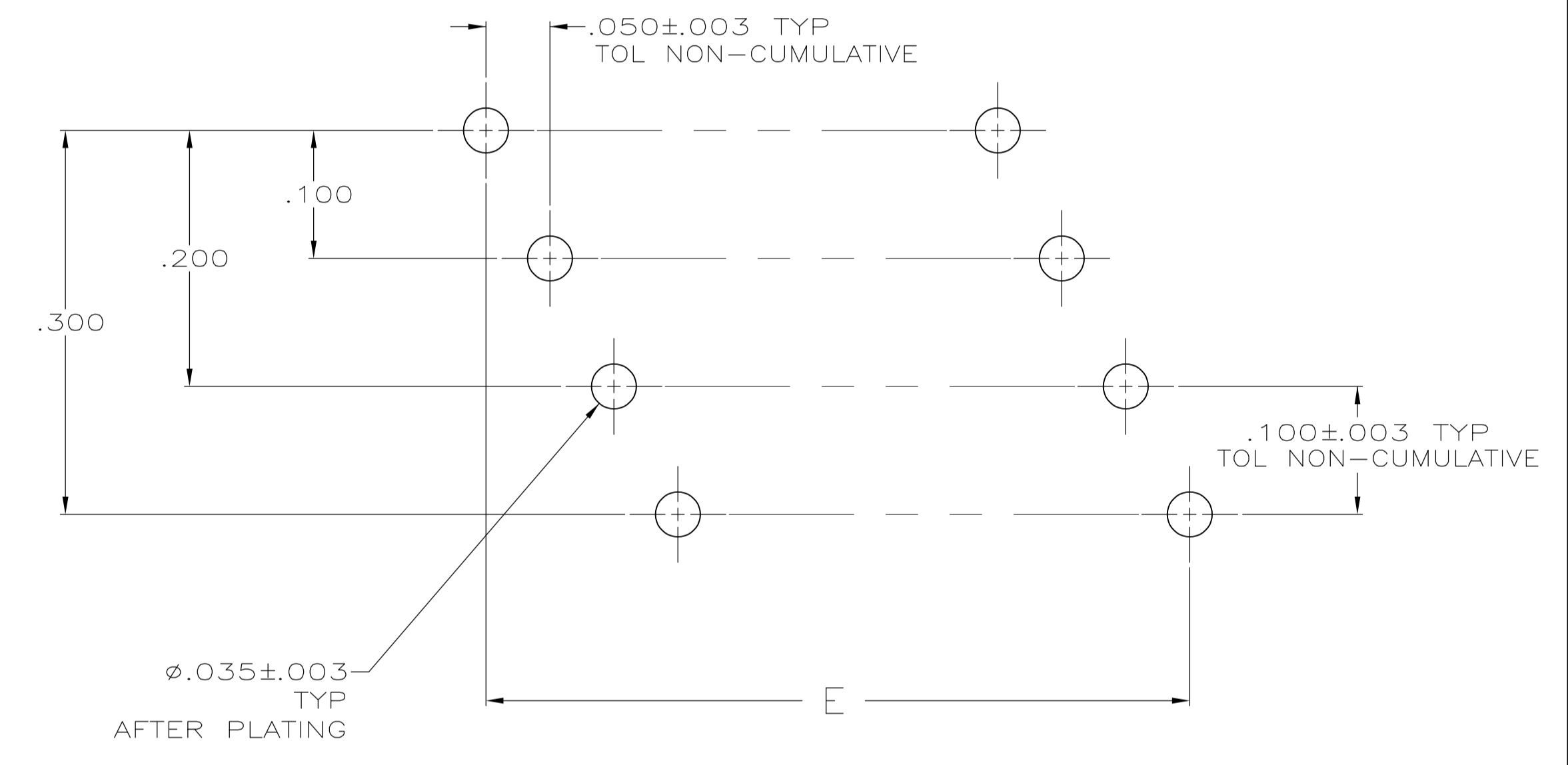
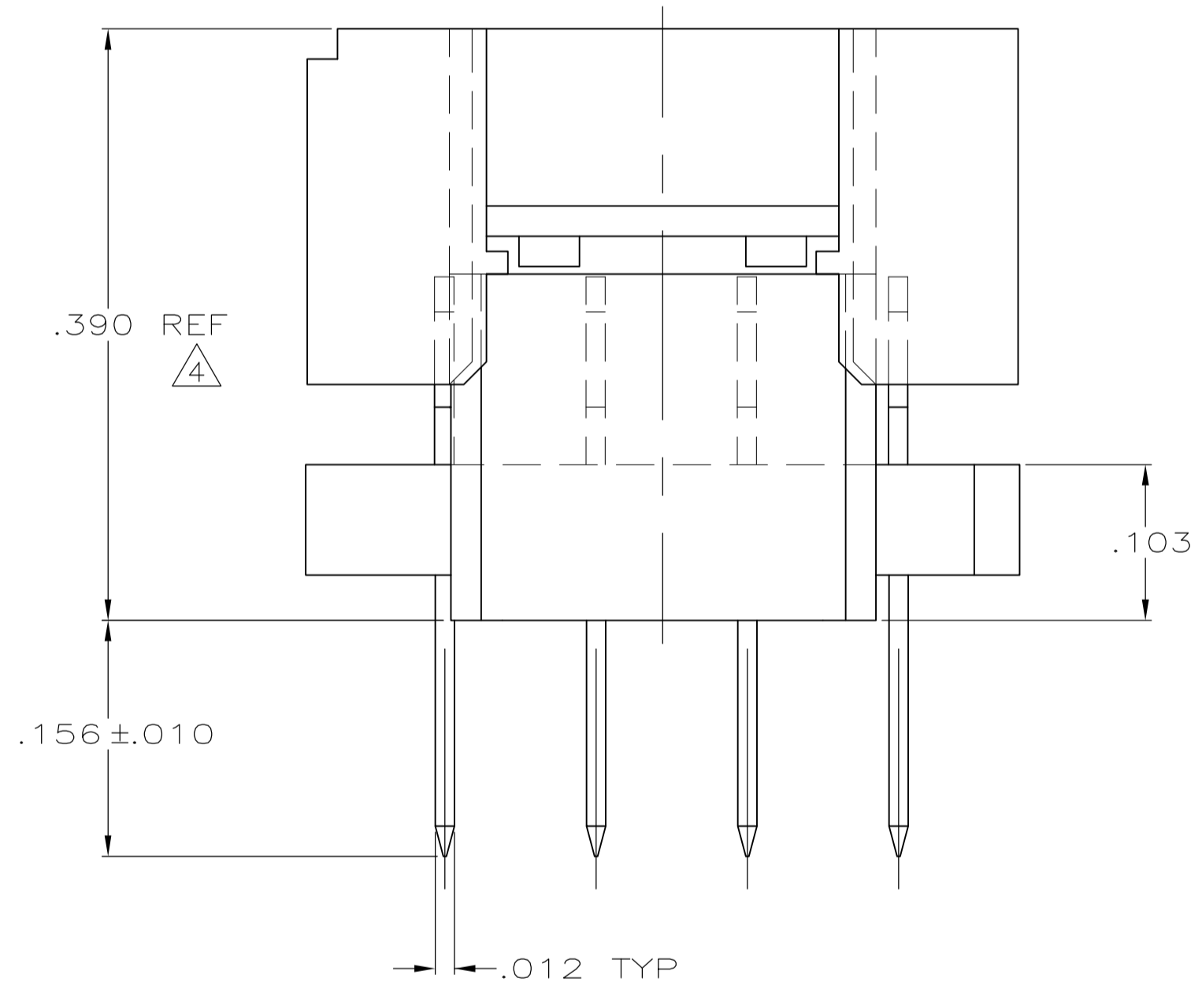
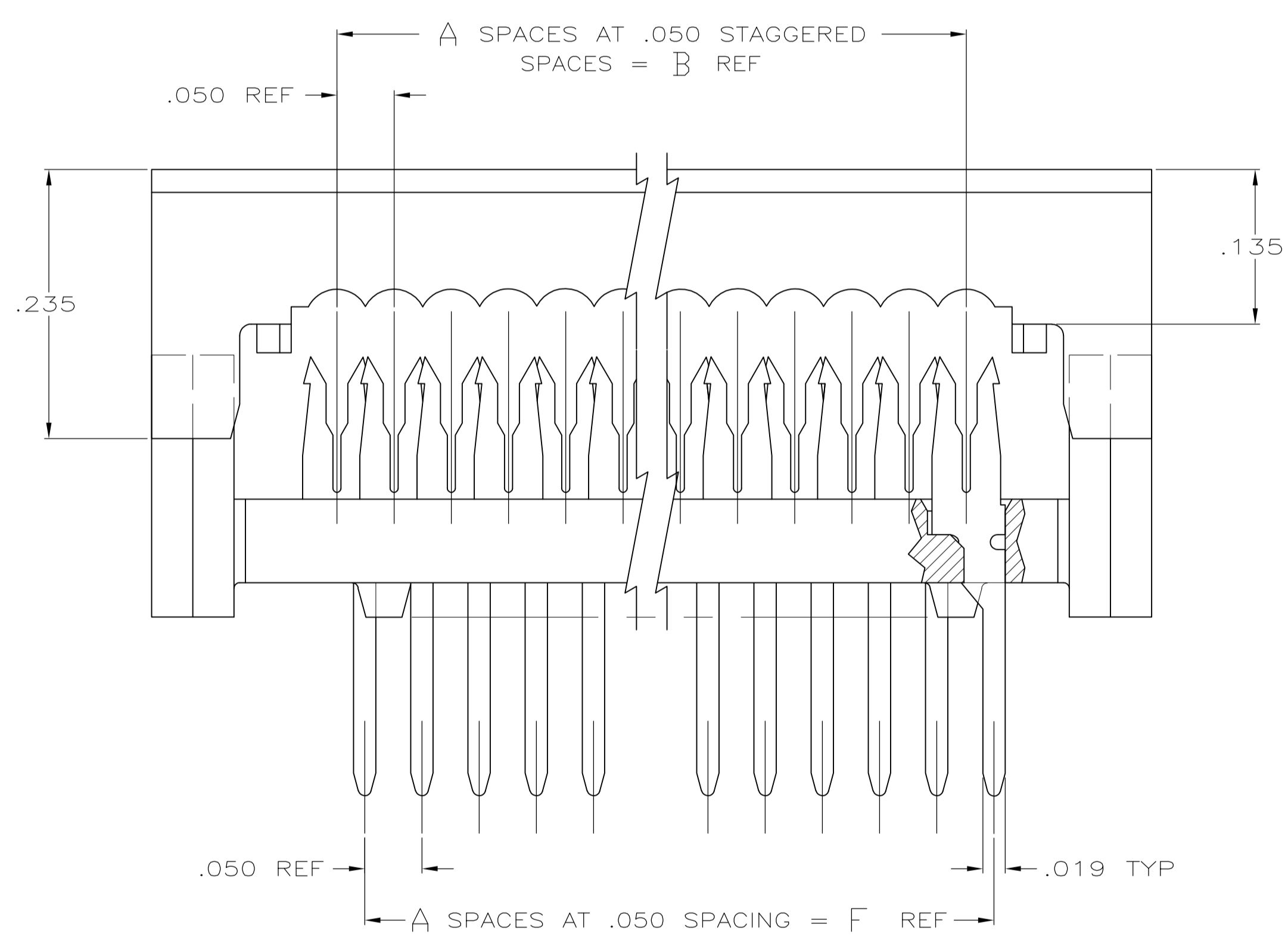
Email & Skype: info@chipsmall.com Web: www.chipsmall.com

Address: A1208, Overseas Decoration Building, #122 Zhenhua RD., Futian, Shenzhen, China



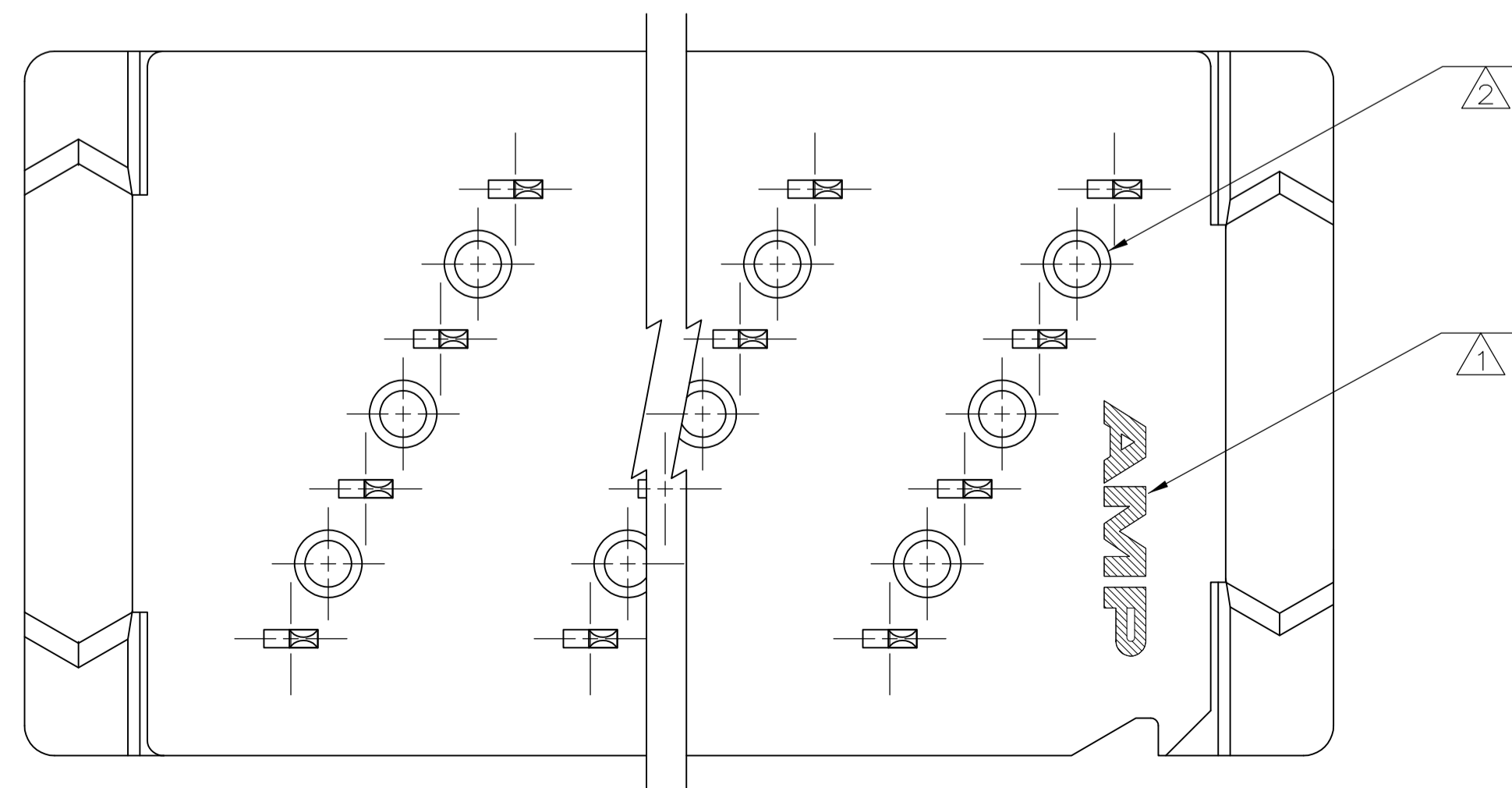


- 1 AMP TRADEMARK LOCATED IN APPROX AREA SHOWN.
- 2 STANDOFFS: POSN 12 (9) STANDOFFS AS SHOWN.  
 POSN 16 (12) STANDOFFS, 3 PER DIAGONAL ROW.  
 POSN 20 (15) STANDOFFS, 3 PER DIAGONAL ROW.  
 POSN 24 (18) STANDOFFS, 3 PER DIAGONAL ROW.  
 POSN 28 (21) STANDOFFS, 3 PER DIAGONAL ROW.  
 POSN 32 (24) STANDOFFS, 3 PER DIAGONAL ROW.  
 POSN 36 (27) STANDOFFS, 3 PER DIAGONAL ROW.  
 POSN 40 (30) STANDOFFS, 3 PER DIAGONAL ROW.  
 POSN 44 (33) STANDOFFS, 3 PER DIAGONAL ROW.  
 POSN 48 (36) STANDOFFS, 3 PER DIAGONAL ROW.  
 POSN 52 (39) STANDOFFS, 3 PER DIAGONAL ROW.  
 POSN 56 (42) STANDOFFS, 3 PER DIAGONAL ROW.  
 POSN 60 (45) STANDOFFS, 3 PER DIAGONAL ROW.
- 3 FINISH: BRIGHT TIN-LEAD .000100-.000200 THK OVER NICKEL .000050 MIN THK.
- 4 HEIGHT AFTER TERMINATION IS .238 REF.
- 5 FINISH: BRIGHT TIN .000100-.000200 THK OVER NICKEL .000050 MIN THK.



RECOMMENDED HOLE LAYOUT

	5	1.950	1.950	2.274	1.950	1.950	39	40	5-111036-8
	5	.750	.750	1.074	.750	.750	15	16	5-111036-2
OBSOLETE	3	2.950	2.950	3.274	2.950	2.950	59	60	1-111036-3
OBSOLETE	3	2.750	2.750	3.074	2.750	2.750	55	56	1-111036-2
OBSOLETE	3	2.550	2.550	2.874	2.550	2.550	51	52	1-111036-1
OBSOLETE	3	2.350	2.350	2.674	2.350	2.350	47	48	1-111036-0
OBSOLETE	3	2.150	2.150	2.474	2.150	2.150	43	44	111036-9
	3	1.950	1.950	2.274	1.950	1.950	39	40	111036-8
OBSOLETE	3	1.750	1.750	2.074	1.750	1.750	35	36	111036-7
OBSOLETE	3	1.550	1.550	1.874	1.550	1.550	31	32	111036-6
OBSOLETE	3	1.350	1.350	1.674	1.350	1.350	27	28	111036-5
OBSOLETE	3	1.150	1.150	1.474	1.150	1.150	23	24	111036-4
OBSOLETE	3	.950	.950	1.274	.950	.950	19	20	111036-3
	3	.750	.750	1.074	.750	.750	15	16	111036-2
OBSOLETE	3	.550	.550	.874	.550	.550	11	12	111036-1
	FINISH	F	E	D	C	B	A	NO OF POSN	PART NUMBER



THIS DRAWING IS A CONTROLLED DOCUMENT. **STE** TE Connectivity

DIMENSIONS: INCHES  
 0. PLC ± -  
 1. PLC ± -  
 2. PLC ± -  
 3. PLC ± .005  
 4. PLC ± -  
 ANGLES ± -

TOLERANCES UNLESS OTHERWISE SPECIFIED:  
 0. PLC ± -  
 1. PLC ± -  
 2. PLC ± -  
 3. PLC ± .005  
 4. PLC ± -  
 ANGLES ± -

MATERIAL: MOLDED PARTS: 94V-0 RATED THERMOPLASTIC, COLOR BLACK CONTACTS: PH BRZ PER QQ-B-750  
 FINISH: CONTACTS

THIS DRAWING IS A CONTROLLED DOCUMENT. **STE** TE Connectivity  
 J. PEACHEY 05-MAR-86  
 M. SCULLY 23-MAY-86  
 D. HOFFMAN 23-MAY-86  
 NAME: KIT, AMP-LATCH PADDLEBOARD PREASSEMBLED, .156 LONG POSTS FULL ROW, FULL TIN PLATED CONTACTS  
 APPLICATION SPEC: 114-40005  
 SIZE: A1  
 CAGE CODE: 00779  
 DRAWING NO: 111036  
 WEIGHT: -  
 CUSTOMER DRAWING  
 SCALE: 10:1  
 SHEET: 1 of 1  
 REV: J