



Chipsmall Limited consists of a professional team with an average of over 10 year of expertise in the distribution of electronic components. Based in Hongkong, we have already established firm and mutual-benefit business relationships with customers from,Europe,America and south Asia,supplying obsolete and hard-to-find components to meet their specific needs.

With the principle of “Quality Parts,Customers Priority,Honest Operation,and Considerate Service”,our business mainly focus on the distribution of electronic components. Line cards we deal with include Microchip,ALPS,ROHM,Xilinx,Pulse,ON,Everlight and Freescale. Main products comprise IC,Modules,Potentiometer,IC Socket,Relay,Connector.Our parts cover such applications as commercial,industrial, and automotives areas.

We are looking forward to setting up business relationship with you and hope to provide you with the best service and solution. Let us make a better world for our industry!



Contact us

Tel: +86-755-8981 8866 Fax: +86-755-8427 6832

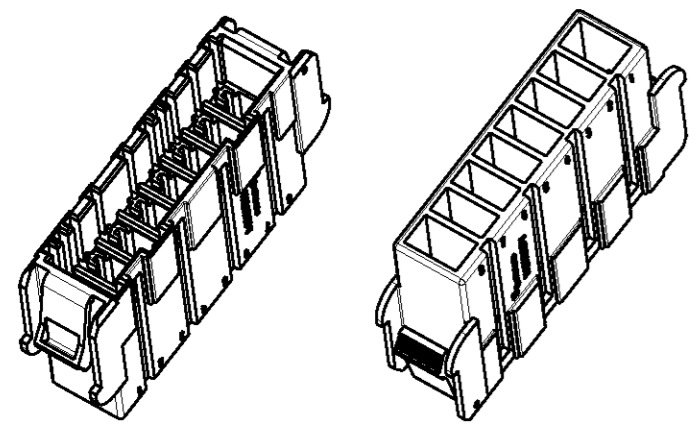
Email & Skype: info@chipsmall.com Web: www.chipsmall.com

Address: A1208, Overseas Decoration Building, #122 Zhenhua RD., Futian, Shenzhen, China

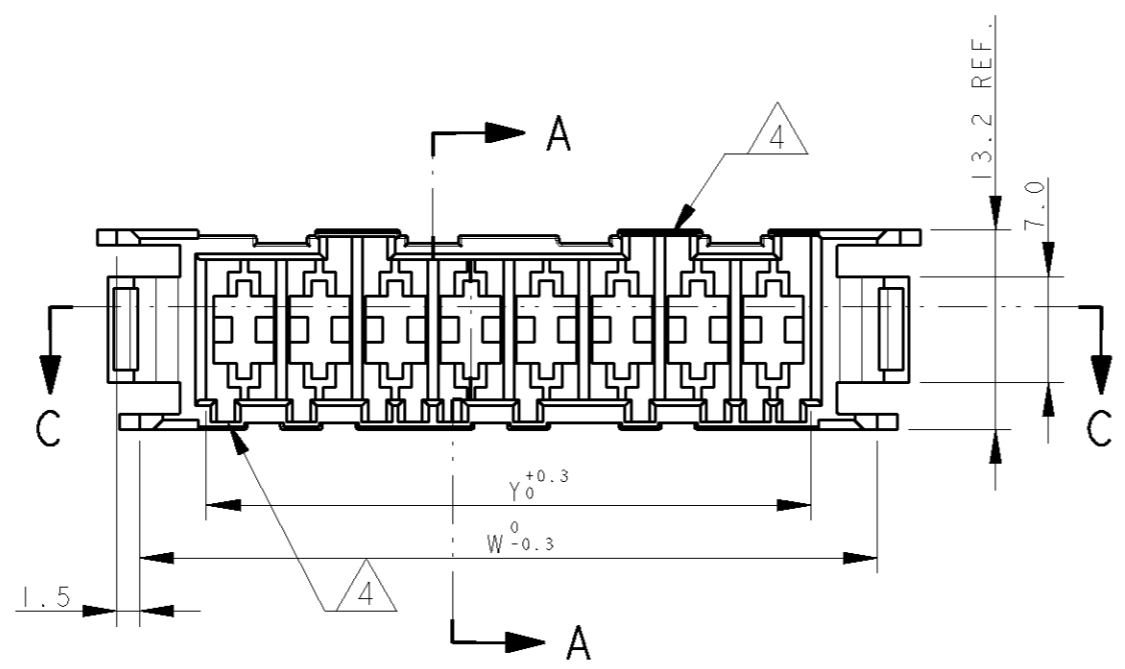


THIS DRAWING IS UNPUBLISHED. RELEASED FOR PUBLICATION 2003
 © COPYRIGHT 2003 BY TYCO ELECTRONICS CORPORATION. ALL RIGHTS RESERVED.

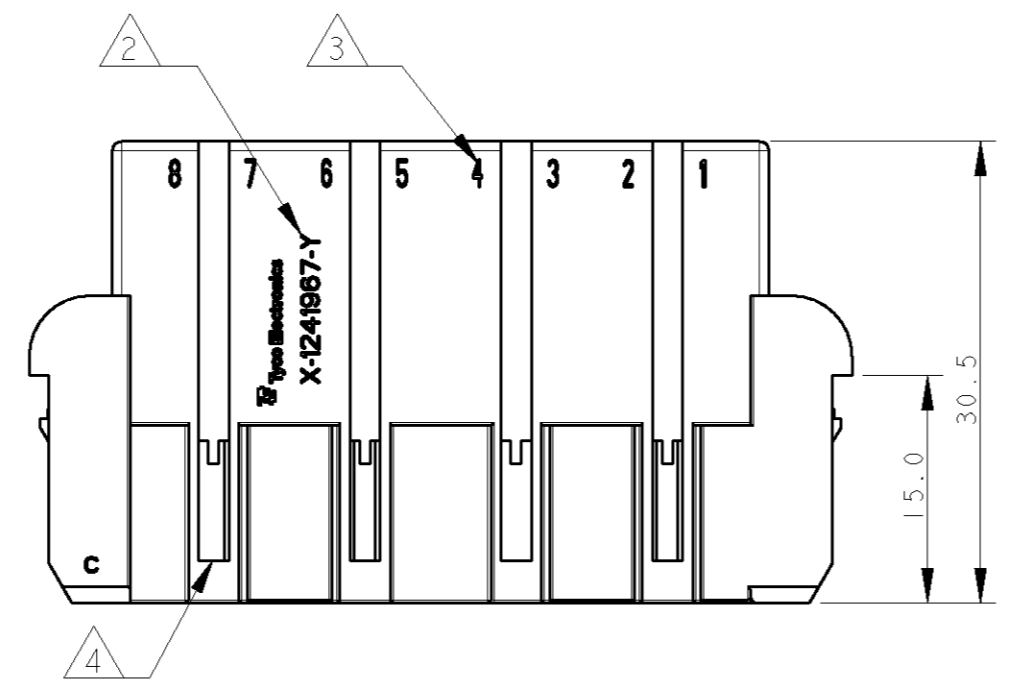
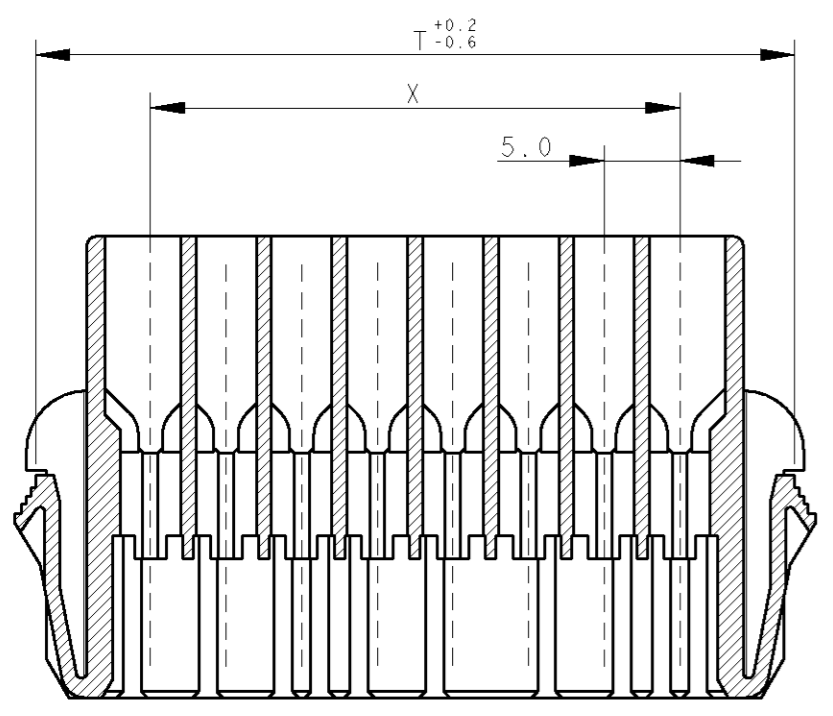
LOC	DIST	REVISIONS					
		P	LTR	DESCRIPTION	DATE	DWN	APVD
A	-	B		REDRAWN	10 MAY 2005	HY	GT
		B1		RELEASED 6POS., ECR-05-011385	20 SEP 2005	HY	GT
		B3		ADDED 7 POS and 8 pos ECR-08-001489	05 DEC 2007	HY	GT
		B4		REVISED NOTE 5-6	28 OCT 2009	RP	GT



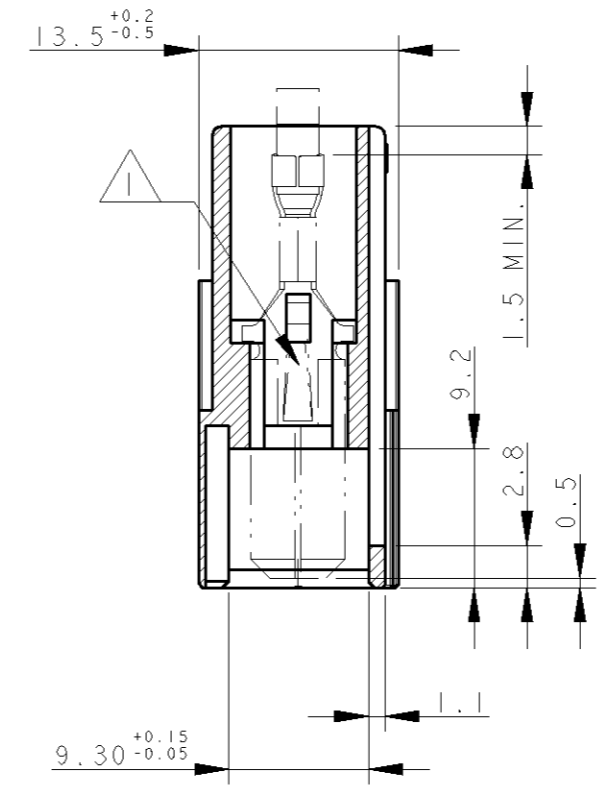
SCALE 1:1



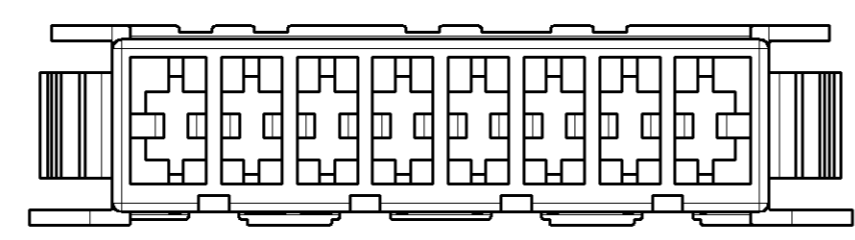
SECTION C-C



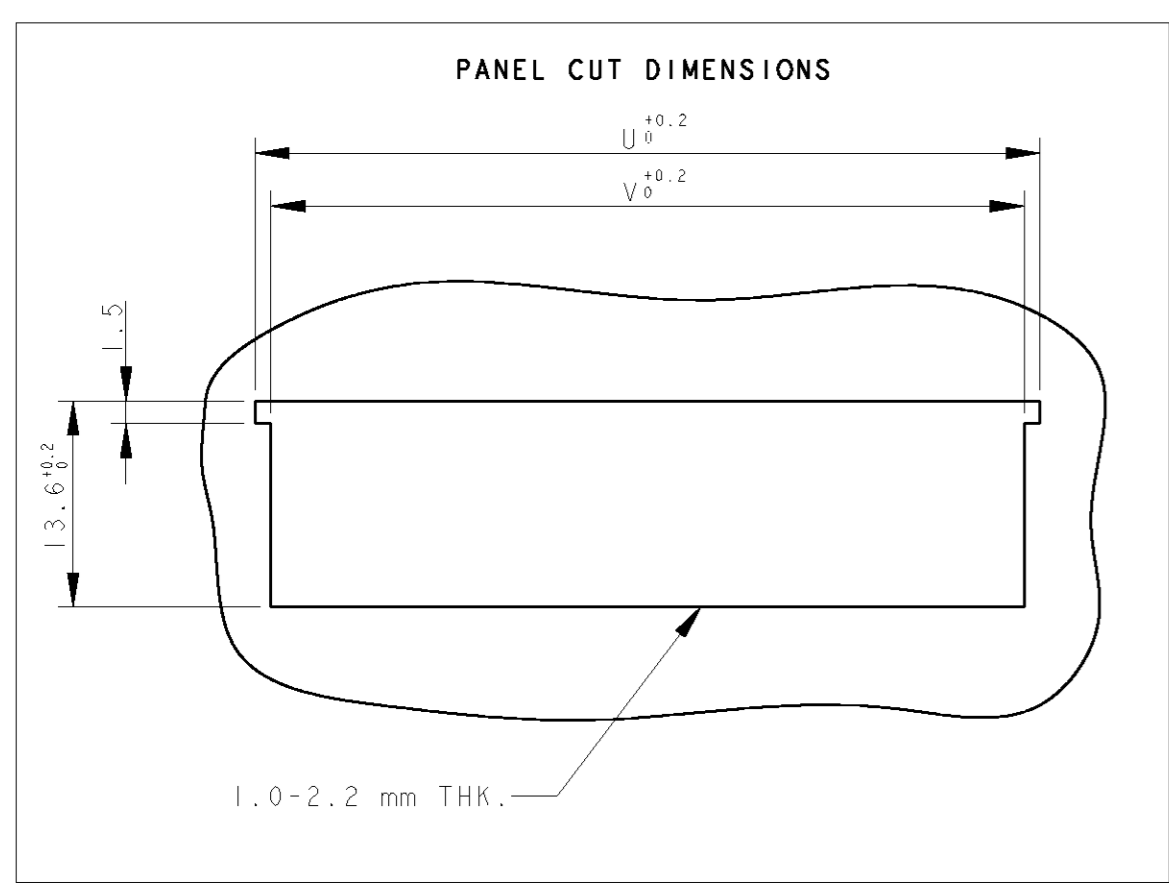
SECTION A-A



- 1 TYPICAL CAVITY SUITABLE FOR:
 FASTIN-FASTON TAB CONTACTS 6.3 mm SRS:
 P/N: 60294, 0.3-0.8 mm² WIRE RANGE
 160691, 0.3-0.8 mm² WIRE RANGE
 AMPLIVAR CONTACTS:
 P/N: 141051, 0.1-0.5 mm² WIRE RANGE
 142411, 0.3-1.6 mm² WIRE RANGE
 MAX. INSULATION DIA. 2.8 mm,
 MAX. INSULATION CRIMP WIDTH 3.3 mm.
- 2 TYCO ELECTRONICS TRADEMARK "LOGO"
 AND "PART NUMBER"
 OPTIONAL POSITION.
- 3 CIRCUIT IDENTIFICATION NUMBERS.
- 4 POLARIZATION KEYS DIMENSIONS AND POSITIONS
 ARE ACCORDING TO "RAST 5" NORM
- 5 PA6 UNFILLED, UL 94-V2,
 ACCORDING TO IEC 60335-1 NORM.
- 6 PA66 UNFILLED, UL 94-V2



PANEL CUT DIMENSIONS



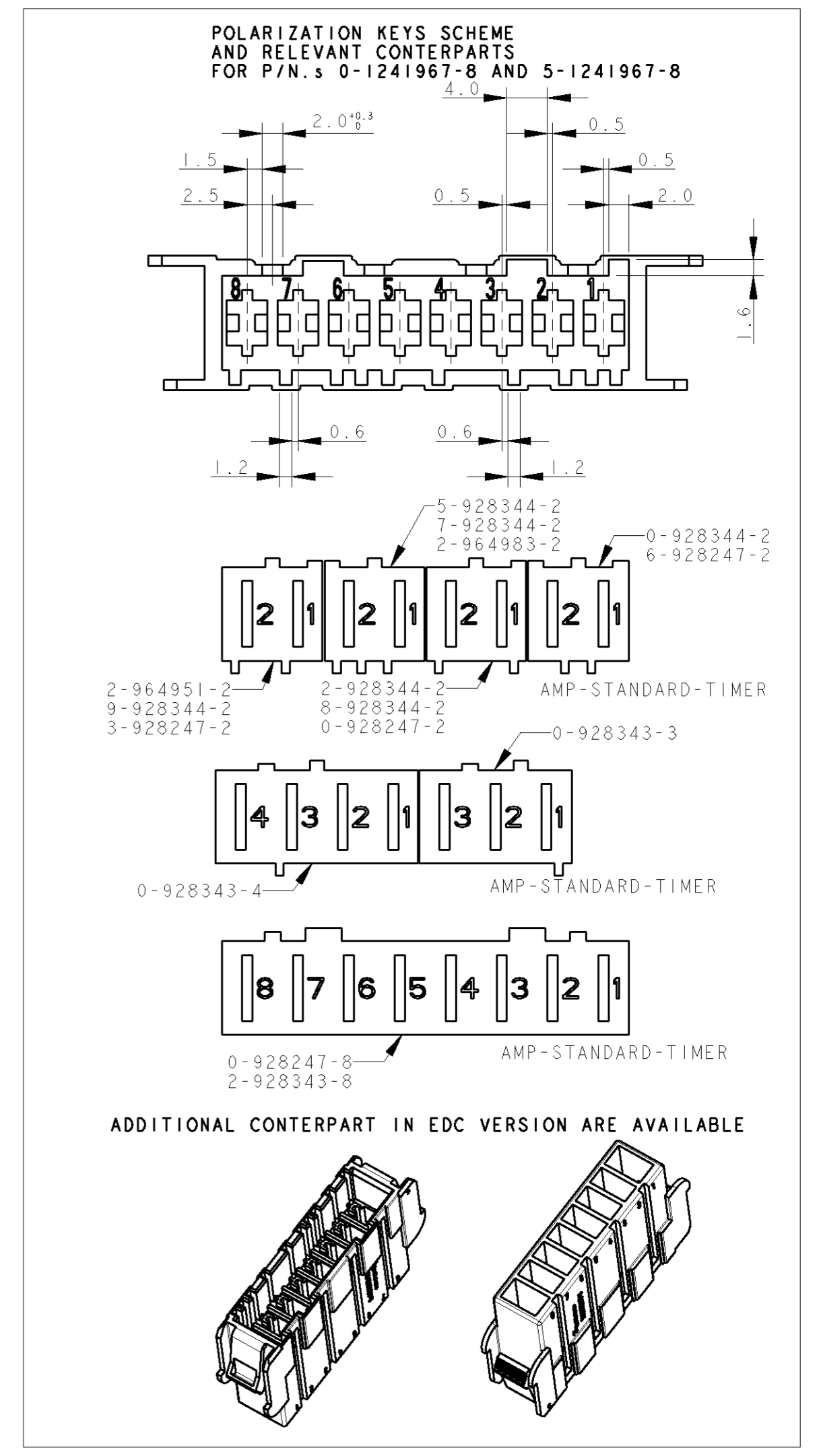
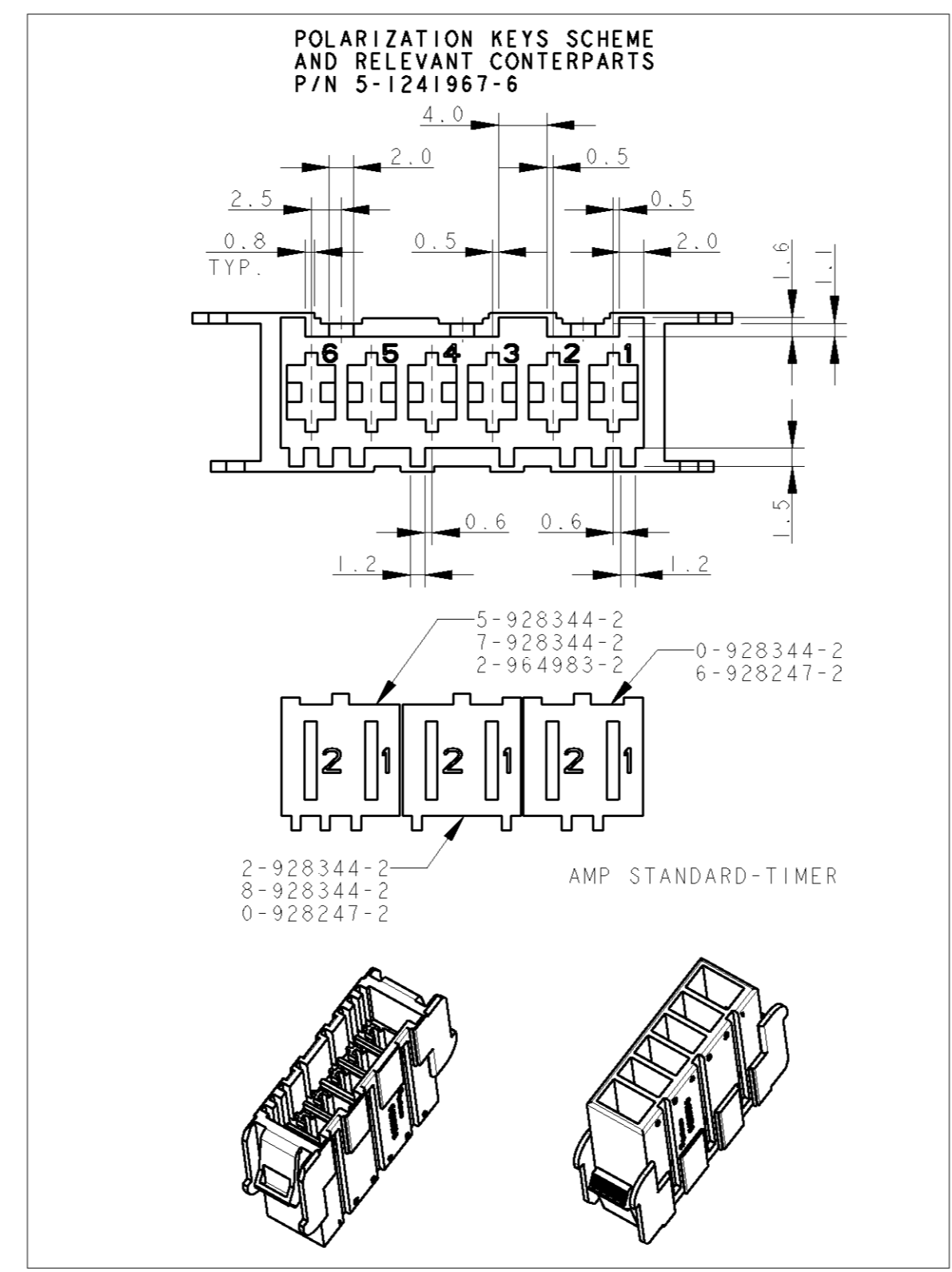
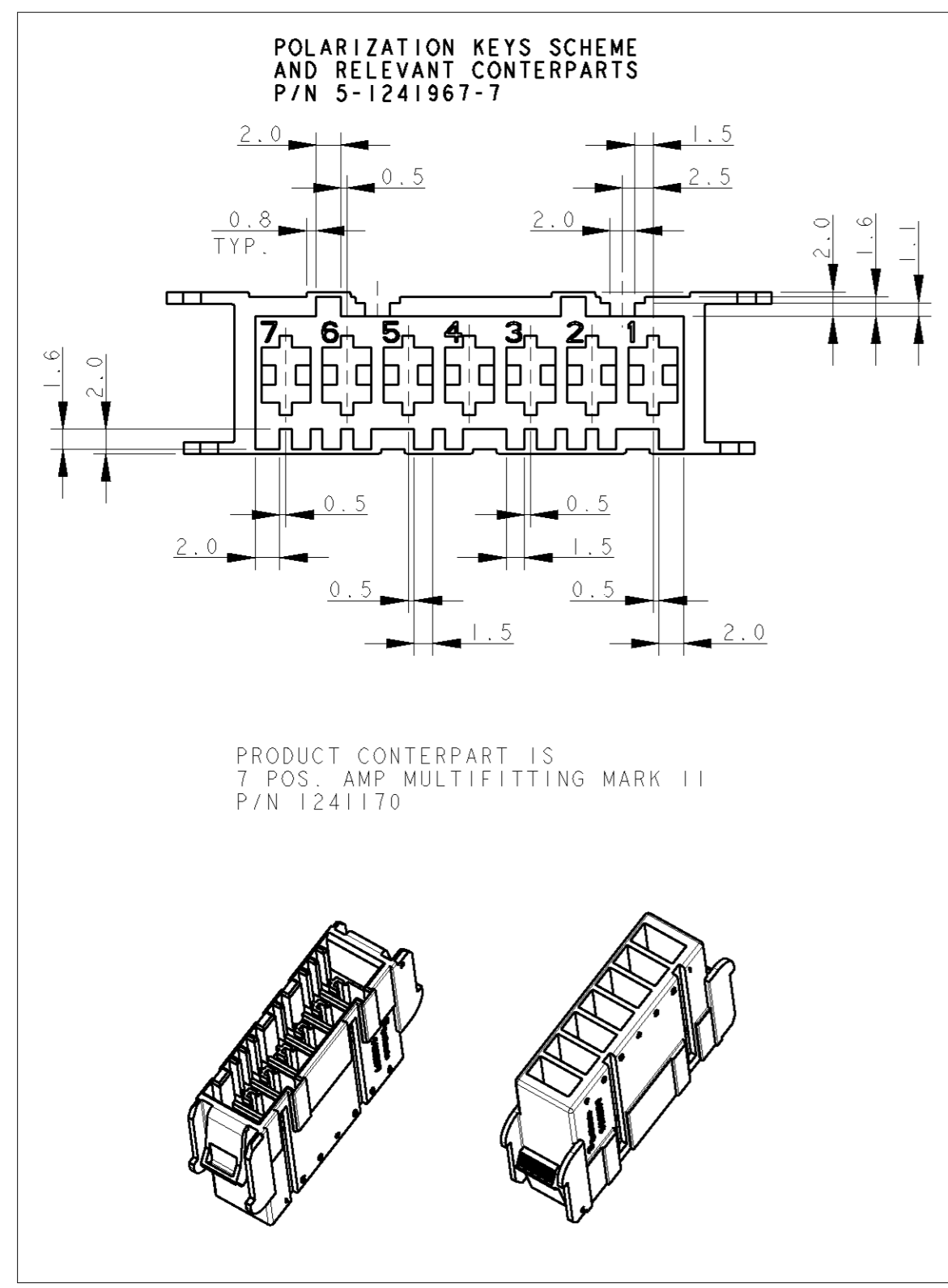
NOTE	POS.	W	T	X	Y	U	V	FINISH/COLOUR	MATERIAL	TE P/N	REV
	12	69	70.2	55	60	71.9	69.8				
	11	64	65.2	50	55	66.9	64.8				
	10	59	60.2	45	50	61.9	59.8				
	9	54	55.2	40	45	56.9	54.8				
	8	49	50.2	35	40	51.9	49.8	BLUE	SEE NOTE 5	6-1241967-8	B
	8	49	50.2	35	40	51.9	49.8	NATURAL	SEE NOTE 5	5-1241967-8	B
	8	49	50.2	35	40	51.9	49.8	NATURAL	SEE NOTE 6	0-1241967-8	B
	7	44	45.2	30	35	46.9	44.8	NATURAL	SEE NOTE 5	5-1241967-7	B
	6	39	40.2	25	30	41.9	39.8	NATURAL	SEE NOTE 5	5-1241967-6	B
	5	34	35.2	20	25	36.9	34.8				
	4	29	30.2	15	20	31.9	29.8				
	3	24	25.2	10	15	26.9	24.8				
	2	19	20.2	5	10	21.9	19.8				

PARTS LIST

THIS DRAWING IS A CONTROLLED DOCUMENT FOR TYCO ELECTRONICS CORPORATION IT IS SUBJECT TO CHANGE AND THE CONTROLLING ENGINEERING ORGANIZATION SHOULD BE CONTACTED FOR THE LATEST REVISION.		DWN H. YAALI 11APR2005 CHK G. TURCO APVD -	Tyco Electronics AMP Italia S.r.l. Corso F.lli Cervi, 15 COLLEGGIO (TO)
DIMENSIONS: mm 	TOLERANCES UNLESS OTHERWISE SPECIFIED: 0 PLC ± 1 PLC ±0.2 2 PLC ± 3 PLC ± 4 PLC ± ANGLES ±° FINISH	PRODUCT SPEC - APPLICATION SPEC - WEIGHT - CUSTOMER DRAWING	NAME 2-12 POS. FASTIN-FASTON* Connector TAB HOUSING, RAST 5 PANEL MOUNT VERSION SIZE A2 CAGE CODE 00779 DRAWING NO. 1241967 RESTRICTED TO - SCALE 2:1 SHEET 1 OF 3 REV B4

THIS DRAWING IS UNPUBLISHED. RELEASED FOR PUBLICATION 2003
 © COPYRIGHT 2003 BY TYCO ELECTRONICS CORPORATION. ALL RIGHTS RESERVED.

LOC		DIST		REVISIONS			
P	LTR	DESCRIPTION	DATE	DWN	APVD		
SEE SHEET 1 OF 3							

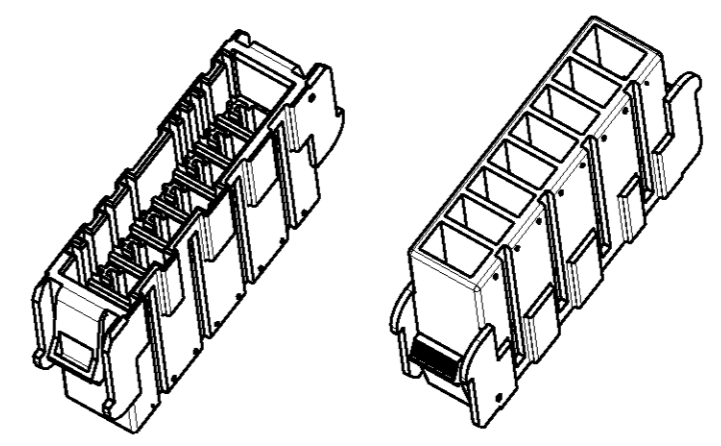
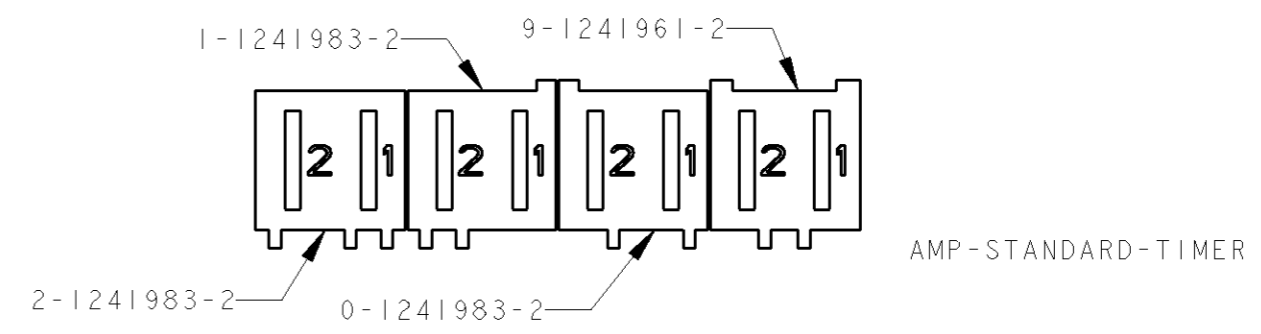
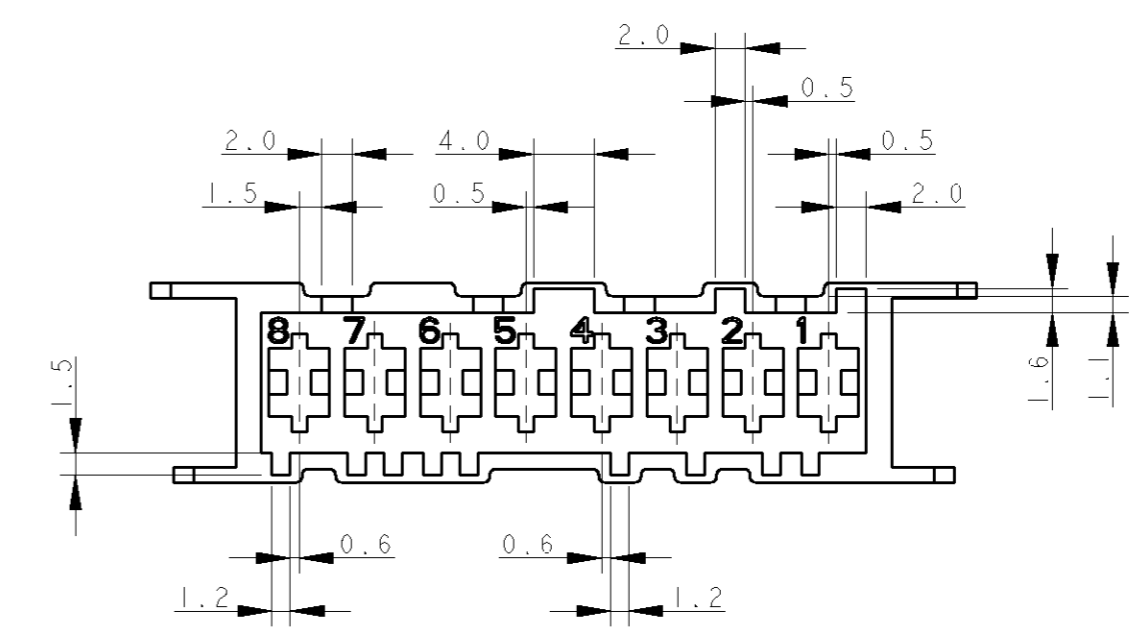


THIS DRAWING IS A CONTROLLED DOCUMENT FOR TYCO ELECTRONICS CORPORATION IT IS SUBJECT TO CHANGE AND THE CONTROLLING ENGINEERING ORGANIZATION SHOULD BE CONTACTED FOR THE LATEST REVISION.		DWN H. YAALI 09MAY2005	Tyco Electronics Tyco Electronics AMP Italia S.r.l. C.so F.lli Cervi, 15 COLLEGGNO (TO)	
DIMENSIONS: mm		CHK G. TURCO	NAME 2-12 POS. FASTIN-FASTON* Connector TAB HOUSING, RAST 5 PANEL MOUNT VERSION	
TOLERANCES UNLESS OTHERWISE SPECIFIED: 0 PLC ± 1 PLC ± 2 PLC ± 3 PLC ± 4 PLC ± ANGLES ±° FINISH		APVD -	PRODUCT SPEC -	APPLICATION SPEC -
MATERIAL -		WEIGHT -	SIZE A2	CAGE CODE 00779
		DRAWING NO 1241967		RESTRICTED TO -
		CUSTOMER DRAWING		SCALE 2:1 SHEET 2 OF 3 REV B4

THIS DRAWING IS UNPUBLISHED. RELEASED FOR PUBLICATION 2003
 © COPYRIGHT 2003 BY TYCO ELECTRONICS CORPORATION. ALL RIGHTS RESERVED.

LOC	DIST	REVISIONS			
P	LTR	DESCRIPTION	DATE	DWN	APVD
A1	-	SEE SHEET 1 OF 3	-	-	-

**POLARIZATION KEYS SCHEME
 AND RELEVANT CONTERPART
 P/N 6-1241967-8**



THIS DRAWING IS A CONTROLLED DOCUMENT FOR TYCO ELECTRONICS CORPORATION. IT IS SUBJECT TO CHANGE AND THE CONTROLLING ENGINEERING ORGANIZATION SHOULD BE CONTACTED FOR THE LATEST REVISION.		DWN H. YAALI	11APR2005	Tyco Electronics AMP Italia S.r.l. Corso F.lli Cervi, 15 COLLEGNO (TO)
DIMENSIONS: mm		CHK G. TURCO	-	
TOLERANCES UNLESS OTHERWISE SPECIFIED:		APVD	-	NAME 2-12 POS. FASTIN-FASTON* Connector TAB HOUSING, RAST 5 PANEL MOUNT VERSION
0 PLC ±		PRODUCT SPEC	-	SIZE
1 PLC ±0.2		APPLICATION SPEC	-	CAGE CODE
2 PLC ±		WEIGHT	-	DRAWING NO
3 PLC ±		CUSTOMER DRAWING	-	RESTRICTED TO
4 PLC ±		SCALE	2:1	SHEET
ANGLES ±°		FINISH	-	3 OF 3
MATERIAL SEE TABLE		FINISH	-	REV
MATERIAL SEE TABLE		FINISH	-	B4