



Chipsmall Limited consists of a professional team with an average of over 10 year of expertise in the distribution of electronic components. Based in Hongkong, we have already established firm and mutual-benefit business relationships with customers from,Europe,America and south Asia,supplying obsolete and hard-to-find components to meet their specific needs.

With the principle of “Quality Parts,Customers Priority,Honest Operation,and Considerate Service”,our business mainly focus on the distribution of electronic components. Line cards we deal with include Microchip,ALPS,ROHM,Xilinx,Pulse,ON,Everlight and Freescale. Main products comprise IC,Modules,Potentiometer,IC Socket,Relay,Connector.Our parts cover such applications as commercial,industrial, and automotives areas.

We are looking forward to setting up business relationship with you and hope to provide you with the best service and solution. Let us make a better world for our industry!



## Contact us

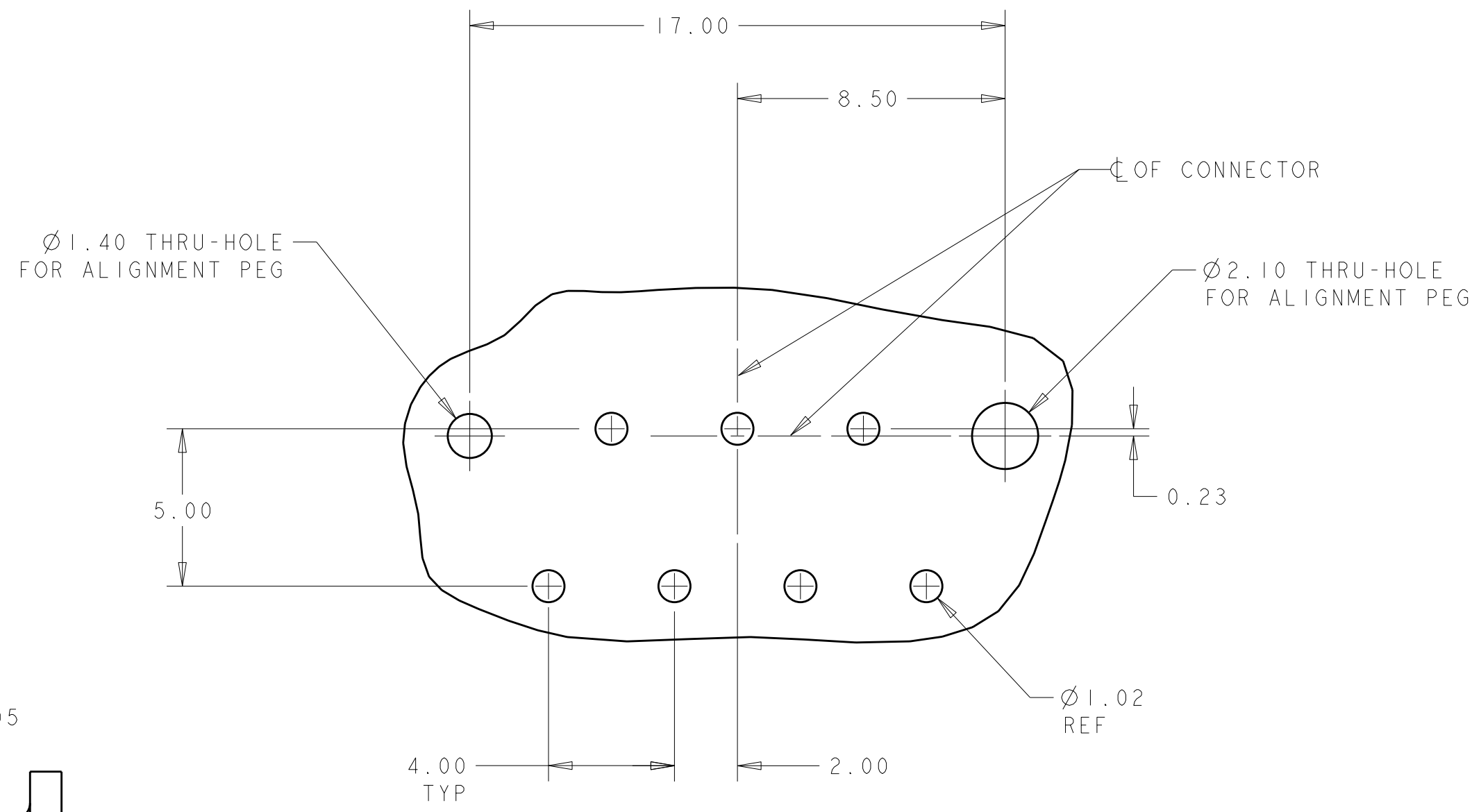
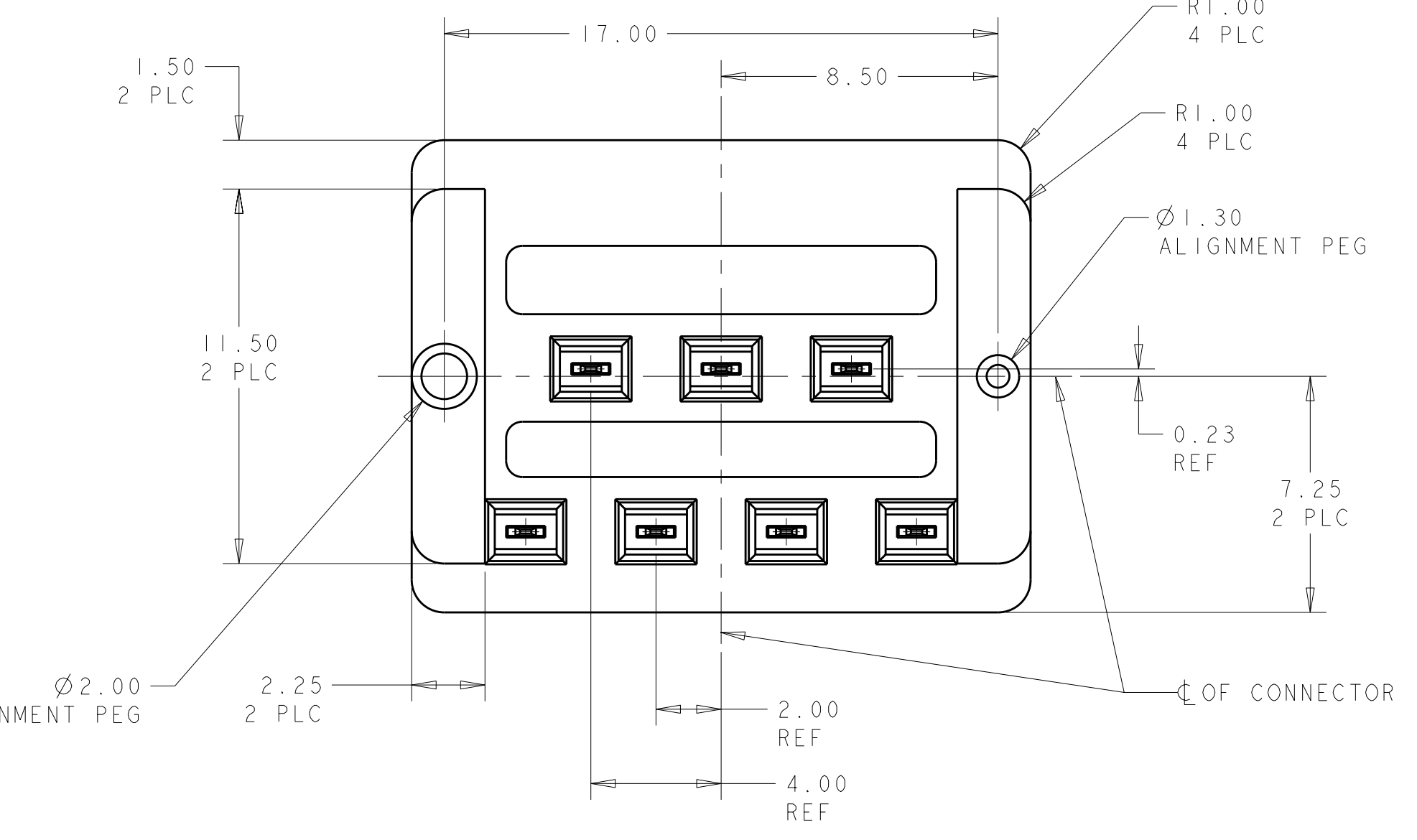
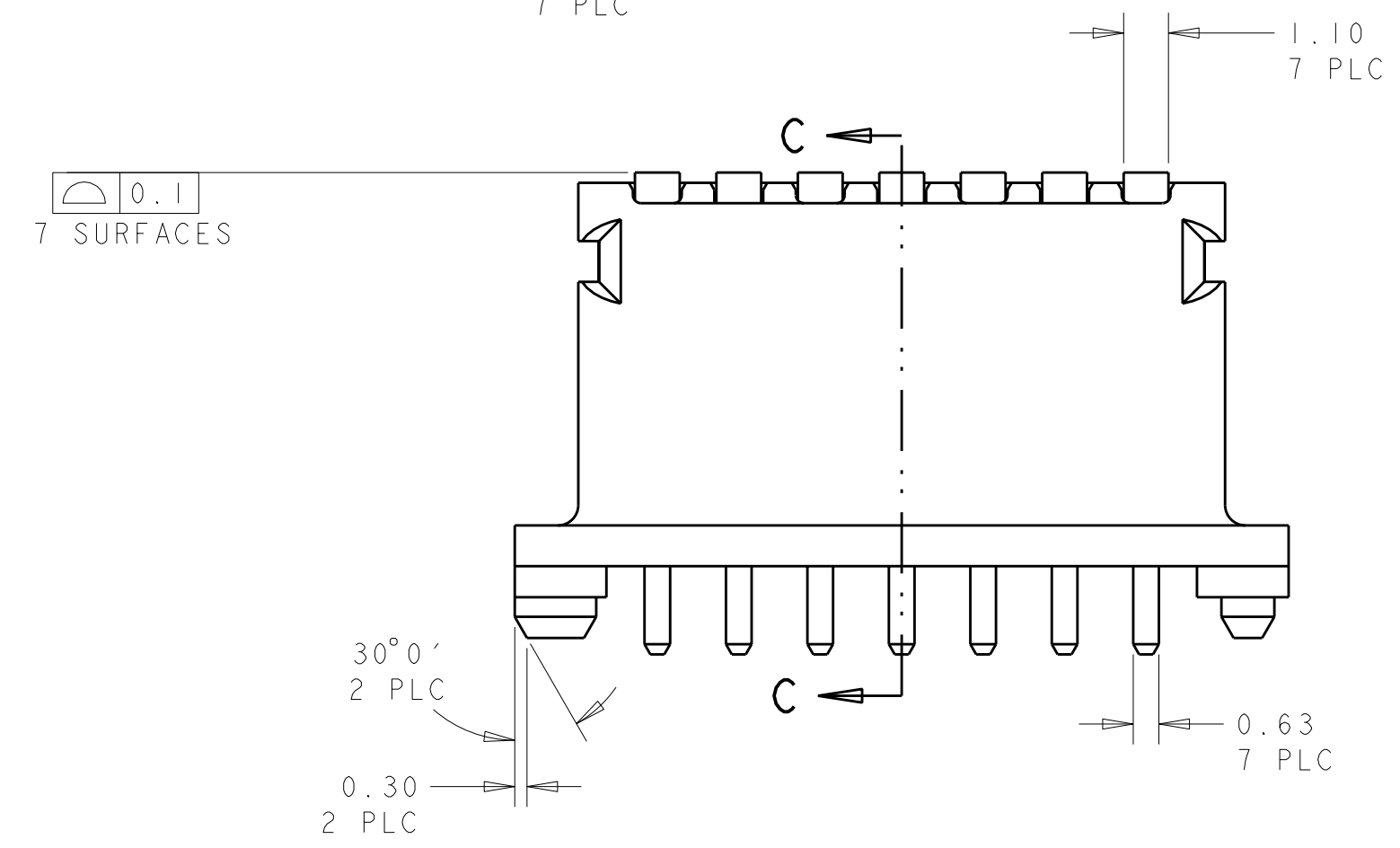
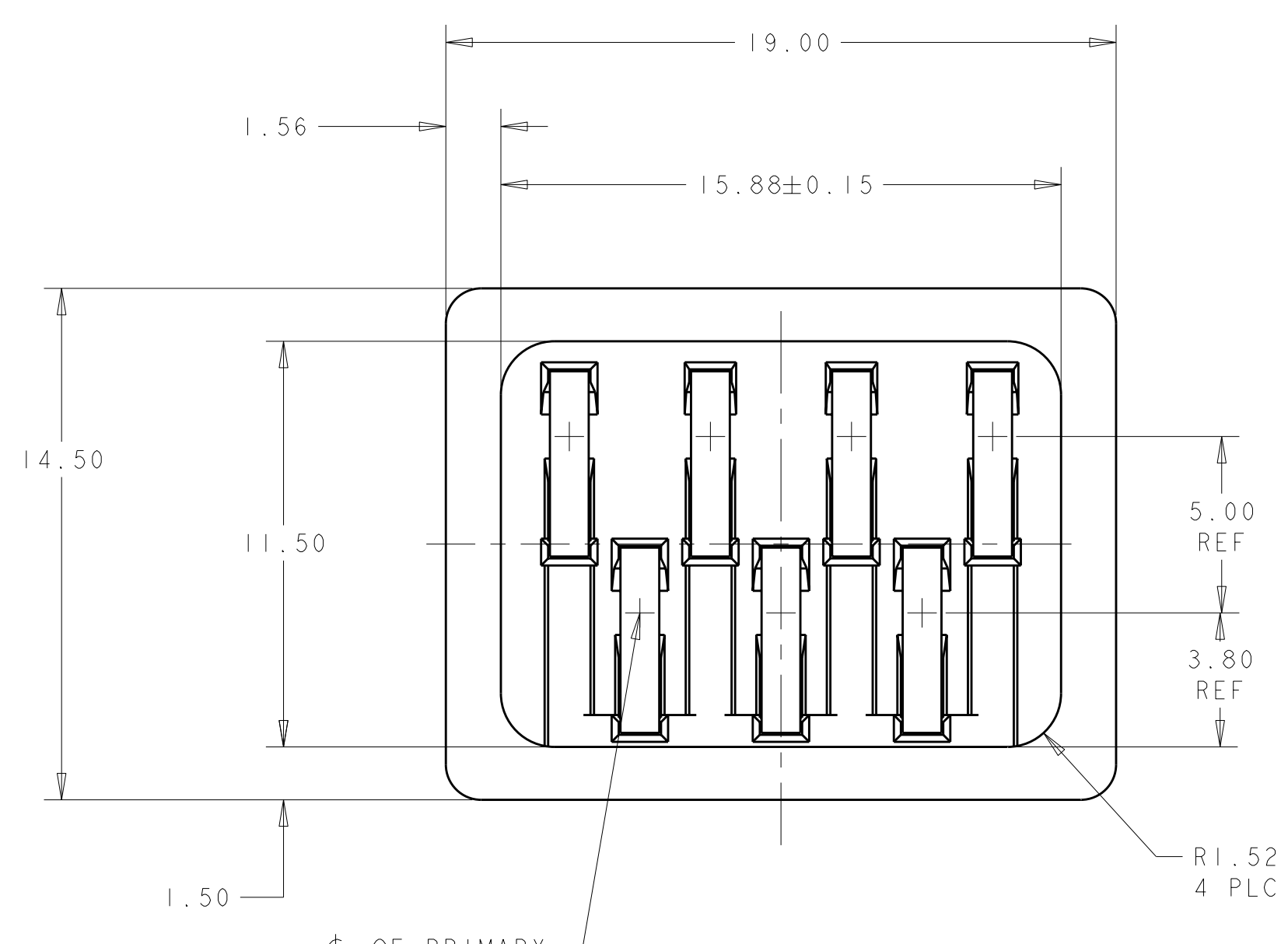
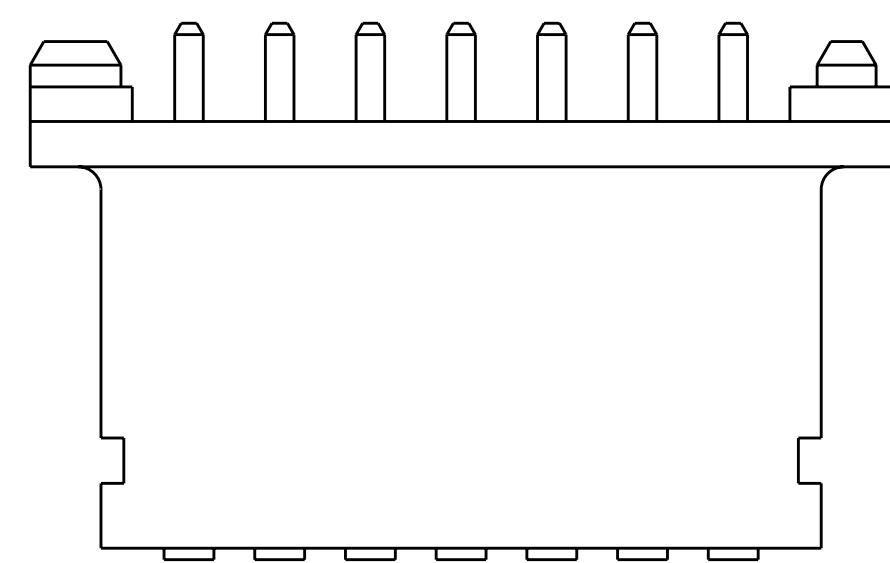
Tel: +86-755-8981 8866 Fax: +86-755-8427 6832

Email & Skype: info@chipsmall.com Web: www.chipsmall.com

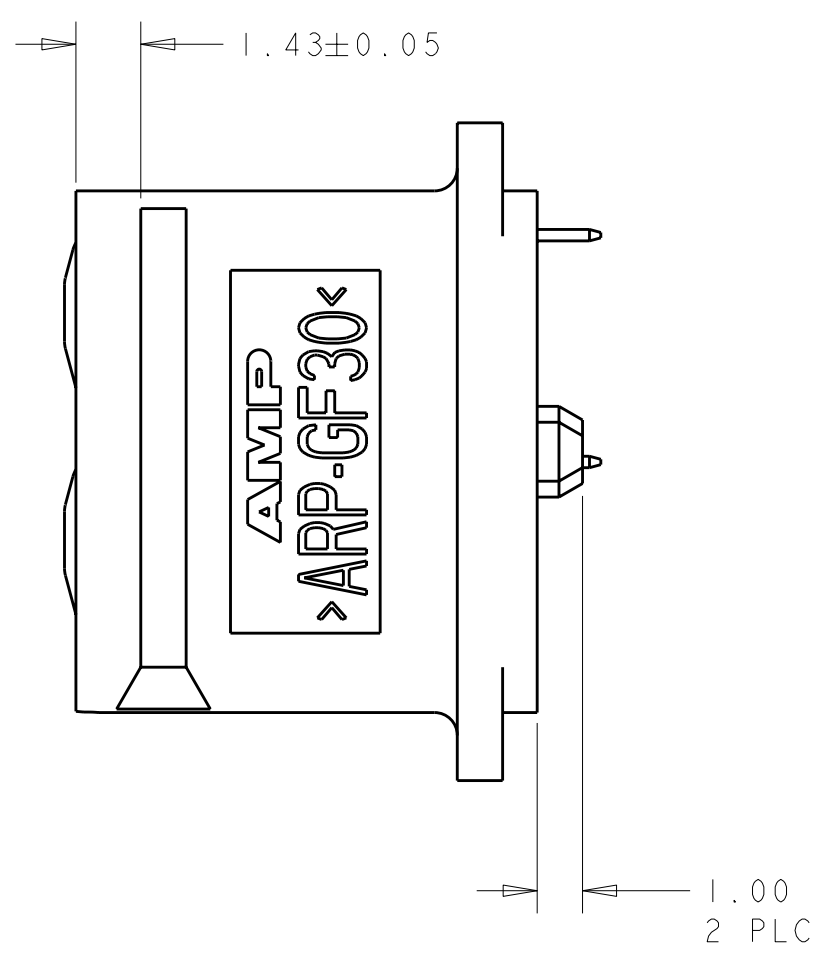
Address: A1208, Overseas Decoration Building, #122 Zhenhua RD., Futian, Shenzhen, China



LOC	DIST	REV	DATE	BY	APPD
AD	00	B3	28SEP2006	MB	DR

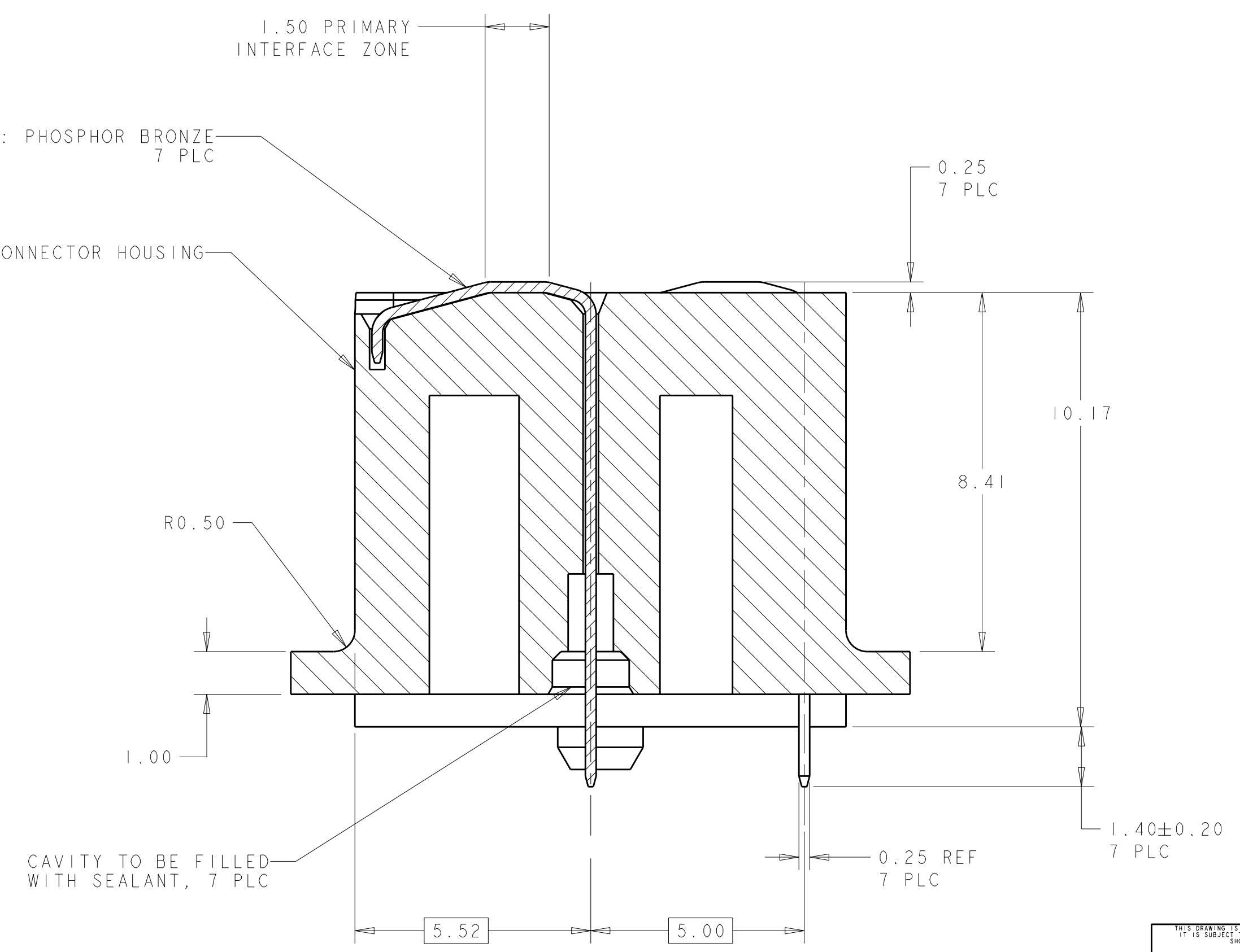


RECOMMENDED BOARD LAYOUT



CONTACTS: PHOSPHOR BRONZE 7 PLC

CONNECTOR HOUSING



SECTION C-C  
SCALE 10:1

- 1 HOUSING MATERIAL: LIQUID CRYSTAL POLYMER, COLOR: BLACK
- 2 HOUSING MATERIAL: LIQUID CRYSTAL POLYMER, COLOR: NATURAL
- 3 CONTACTS: PHOSPHOR BRONZE  
PLATING: 0.76µm MIN GOLD ON CONTACT AREA  
3.0µm MIN TIN-LEAD ON SOLDER LEADS OVER  
0.76µm MIN NICKEL UNDERPLATE OVERALL
- 4 CONTACTS: PHOSPHOR BRONZE  
PLATING: 0.26µm MIN HARD GOLD FLASH OVER  
1.3µm MIN PALLADIUM NICKEL ON CONTACT AREA  
3.0µm MIN TIN-LEAD ON SOLDER LEADS OVER  
0.76µm MIN NICKEL UNDERPLATE OVERALL
- 5 1375936-2 & 5-1375936-2 ARE FOR TESTING PUPOSES ONLY
- 6 CONTACTS: PHOSPHOR BRONZE  
PLATING: 0.76µm MIN GOLD ON CONTACT AREA,  
3.0µm MIN TIN ON SOLDER LEADS OVER  
0.76µm MIN NICKEL UNDERPLATE OVERALL
- 7 CONTACTS: PHOSPHOR BRONZE  
PLATING: 0.26µm MIN HARD GOLD FLASH OVER  
1.3µm MIN PALLADIUM NICKEL ON CONTACT AREA  
3.0µm MIN TIN ON SOLDER LEADS OVER  
0.76µm MIN NICKEL UNDERPLATE OVERALL
- 8 ROHS 2002/95/EC COMPLIANT

5	1375936-2
6	1375936-1
2	1375936-2
1	1375936-1

DIMENSIONS: mm TOLERANCES UNLESS OTHERWISE SPECIFIED: 9 PLC ± 8 PLC ±0.13 5 PLC ± 4 PLC ± ANGLES ±1°		DWN: J MOSER 17JUL00 CHK: J LANDIS 17JUL00 APVD: - NAME: ASSEMBLY, CONNECTOR, HEADER, THERMOMETER CONNECTOR SIZE: A1 CAGE CODE: 00779 DRAWING NO: 1375936 SCALE: 6:1 SHEET: 1 OF 1 REV: B3	
MATERIAL: - FINISH: -		WEIGHT: - CUSTOMER DRAWING: - RESTRICTED TO: -	