



Chipsmall Limited consists of a professional team with an average of over 10 year of expertise in the distribution of electronic components. Based in Hongkong, we have already established firm and mutual-benefit business relationships with customers from,Europe,America and south Asia,supplying obsolete and hard-to-find components to meet their specific needs.

With the principle of “Quality Parts,Customers Priority,Honest Operation,and Considerate Service”,our business mainly focus on the distribution of electronic components. Line cards we deal with include Microchip,ALPS,ROHM,Xilinx,Pulse,ON,Everlight and Freescale. Main products comprise IC,Modules,Potentiometer,IC Socket,Relay,Connector.Our parts cover such applications as commercial,industrial, and automotives areas.

We are looking forward to setting up business relationship with you and hope to provide you with the best service and solution. Let us make a better world for our industry!



## Contact us

Tel: +86-755-8981 8866 Fax: +86-755-8427 6832

Email & Skype: info@chipsmall.com Web: www.chipsmall.com

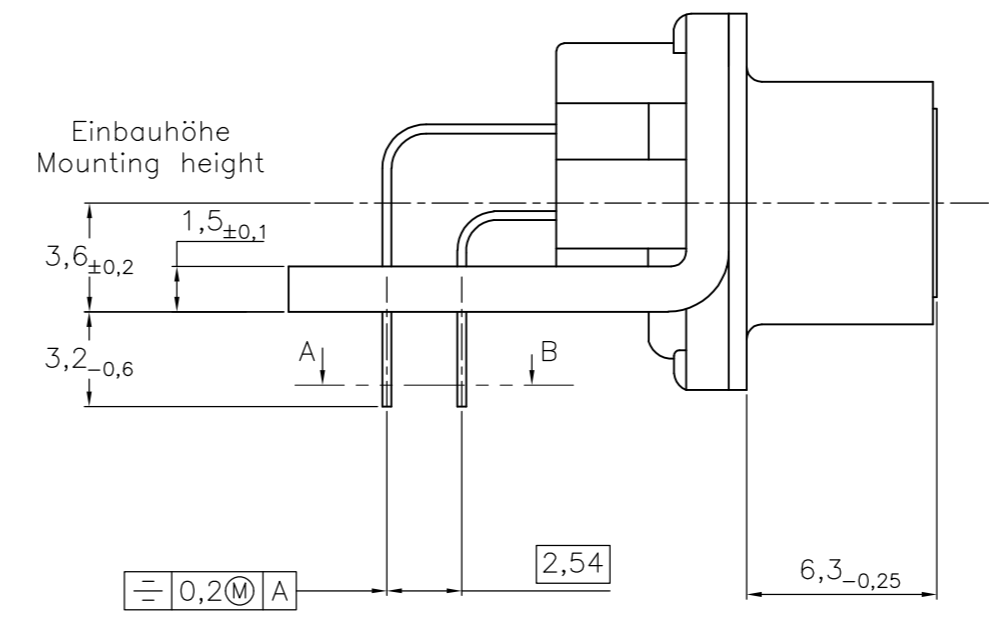
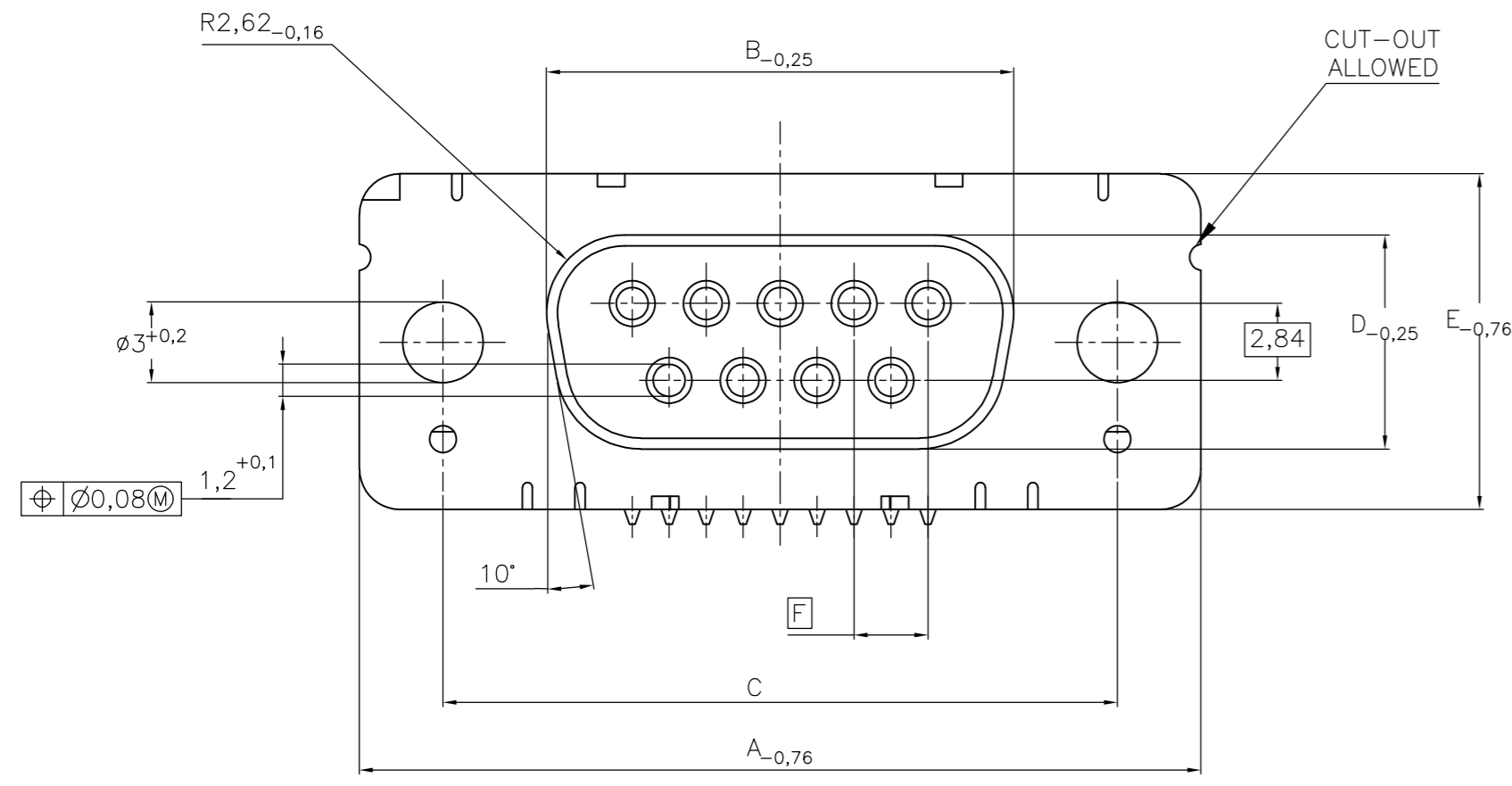
Address: A1208, Overseas Decoration Building, #122 Zhenhua RD., Futian, Shenzhen, China



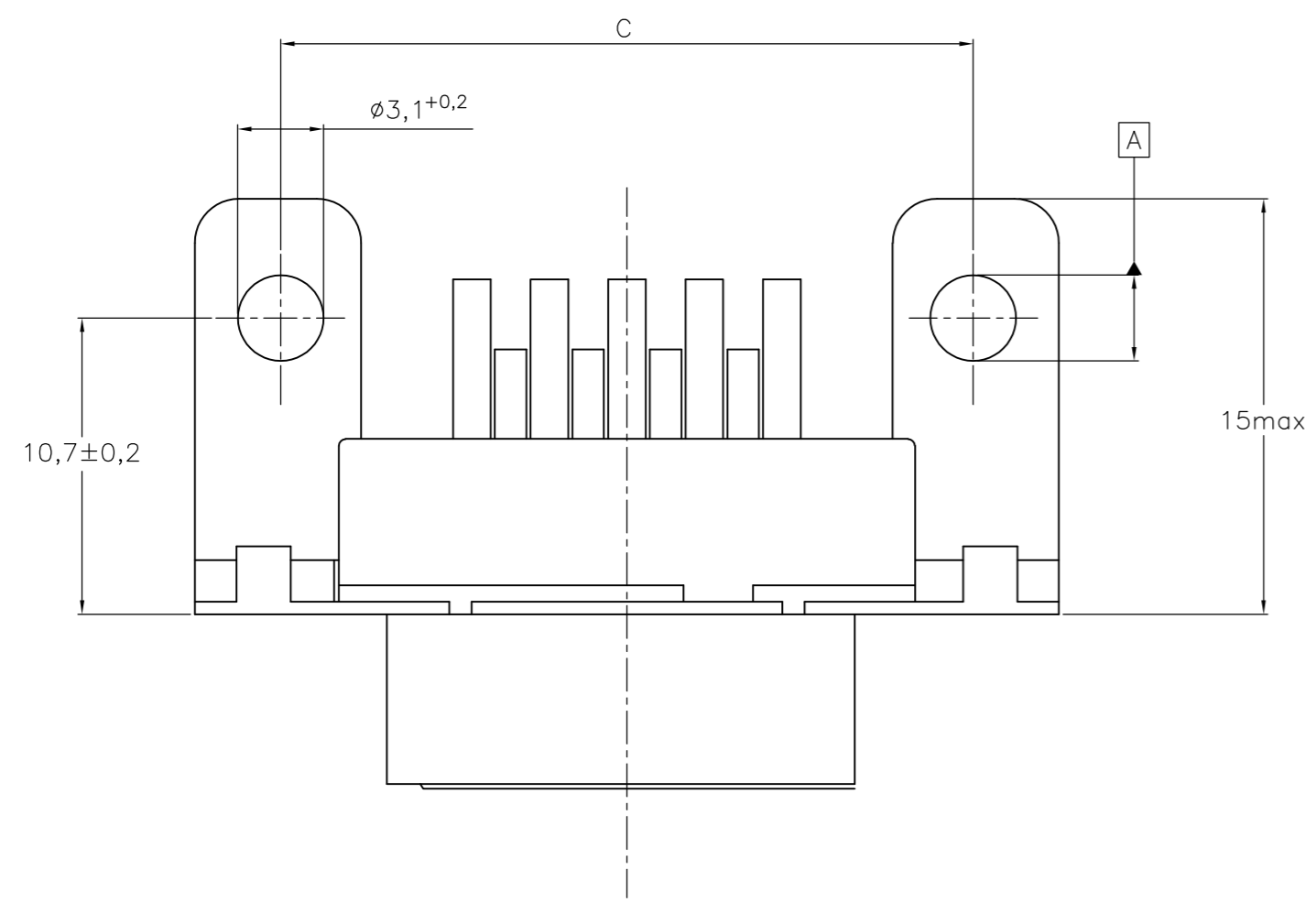
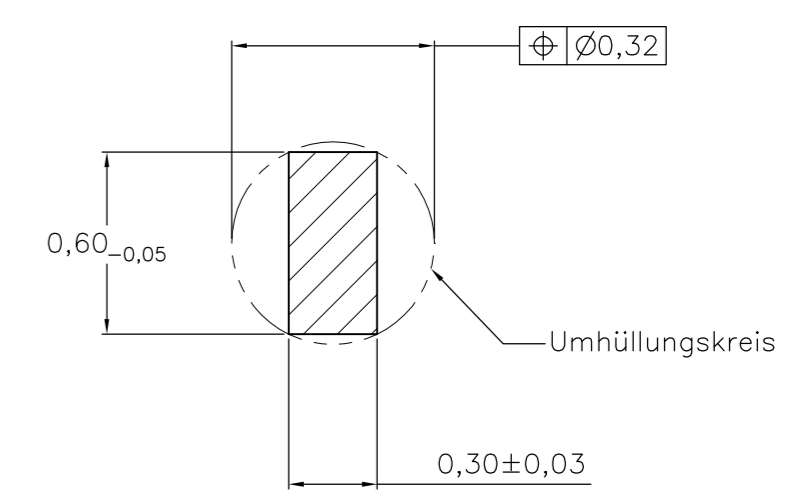
THIS DRAWING IS UNPUBLISHED. RELEASED FOR PUBLICATION  
 © COPYRIGHT - By - ALL RIGHTS RESERVED.

LOC		DIST		REVISIONS			
GP	00	P	LTR	DESCRIPTION	DATE	DWN	APVD
		B		REVISED PER ECO-12-004885	02APR2012	CJV	CWR

Standardausführung: V23529-Bx121-Bxxx-+  
 Standardversion



Schnitt AB des Lötanschlusses  
 Cross-section AB of solderpin  
 (20:1)



Ordercode Sachnr	Contacts Polzahl	Mass/Dimension					
		A	B	C	D	E	F
..-Bx09-+	09	31,19	16,46	25,0 $\begin{smallmatrix} +0,12 \\ -0,13 \end{smallmatrix}$	8,02	12,93	2,74
..-Bx15-+	15	39,52	24,79	33,3 $\begin{smallmatrix} +0,15 \\ -0,1 \end{smallmatrix}$			2,74
..-Bx25-+	25	53,42	38,5	47,04 $\begin{smallmatrix} +0,13 \\ -0,13 \end{smallmatrix}$			2,76
..-Bx37-+	37	69,7	54,96	63,5 $\begin{smallmatrix} +0,13 \\ -0,13 \end{smallmatrix}$			2,76

Anforderungsstufe/Performance level <sup>1)</sup>

1) nach DIN 41652T.2 und T.4  
 according to DIN 41652 T.2 AND T.4

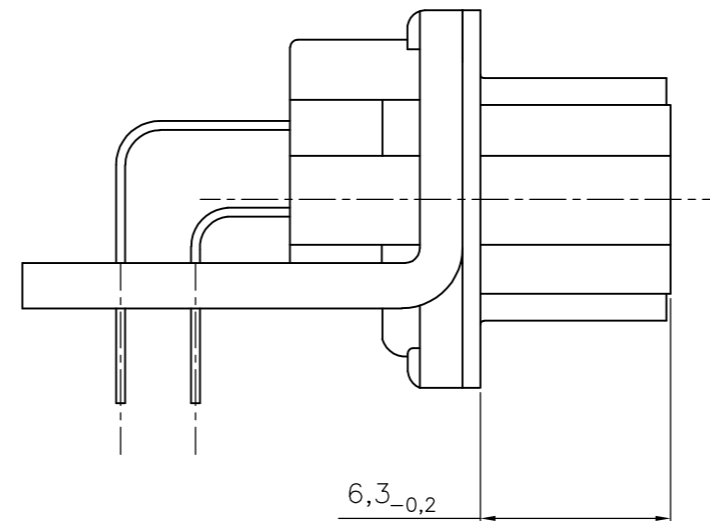
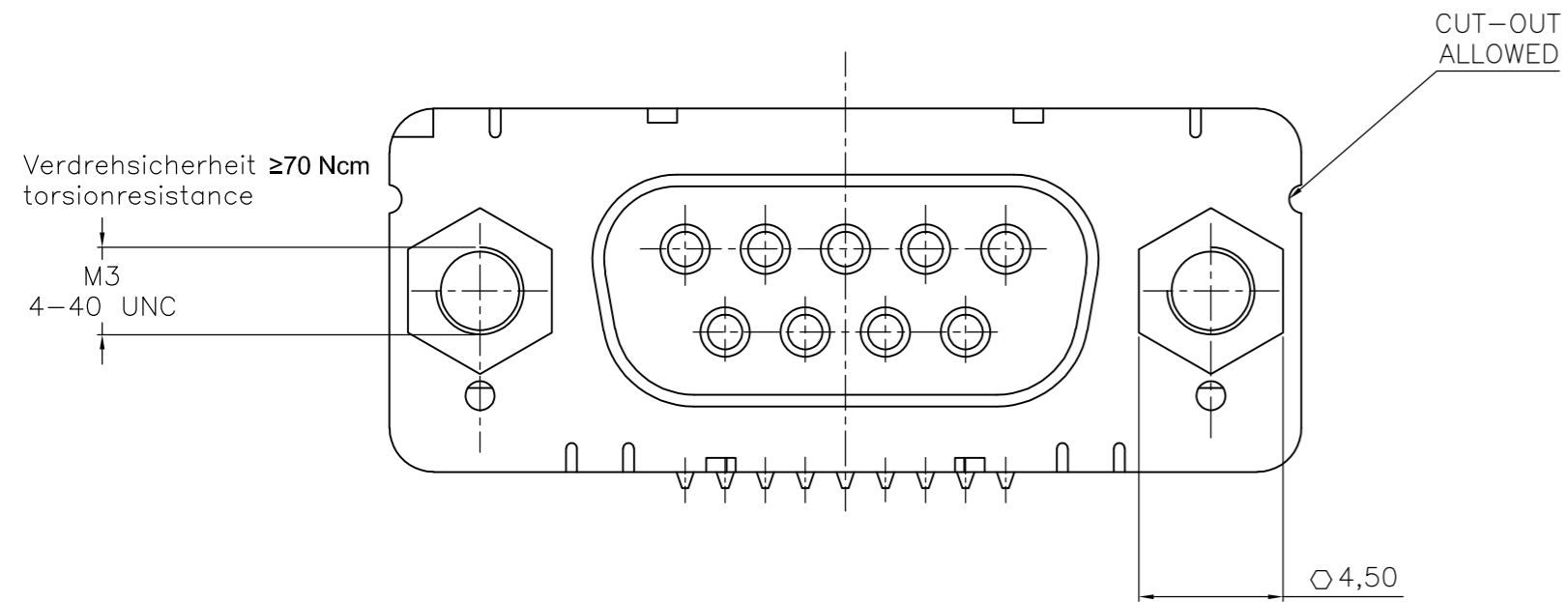
OLD PN: V23529-B\*\*\*\*-B\*\*\*-\*-7427

THIS DRAWING IS A CONTROLLED DOCUMENT.		DWN	07JAN10	<b>STE</b> TE Connectivity
DIMENSIONS: mm		GNANI JADAV A E	CHK	
TOLERANCES UNLESS OTHERWISE SPECIFIED:		K. MALCZYK	APVD	NAME
0 PLC ± -		K. MALCZYK	K. MALCZYK	
1 PLC ± -		PRODUCT SPEC	APPLICATION SPEC	SIZE
2 PLC ± -		WEIGHT	SCALE	
3 PLC ± -		CUSTOMER DRAWING	2:1	CAGE CODE
4 PLC ± -		FINISH	1-1393480-7	
ANGLES ± -		SCALE	2:1	DRAWING NO
FINISH		SHEET	1 of 6	
MATERIAL		RESTRICTED TO		REV
FINISH				

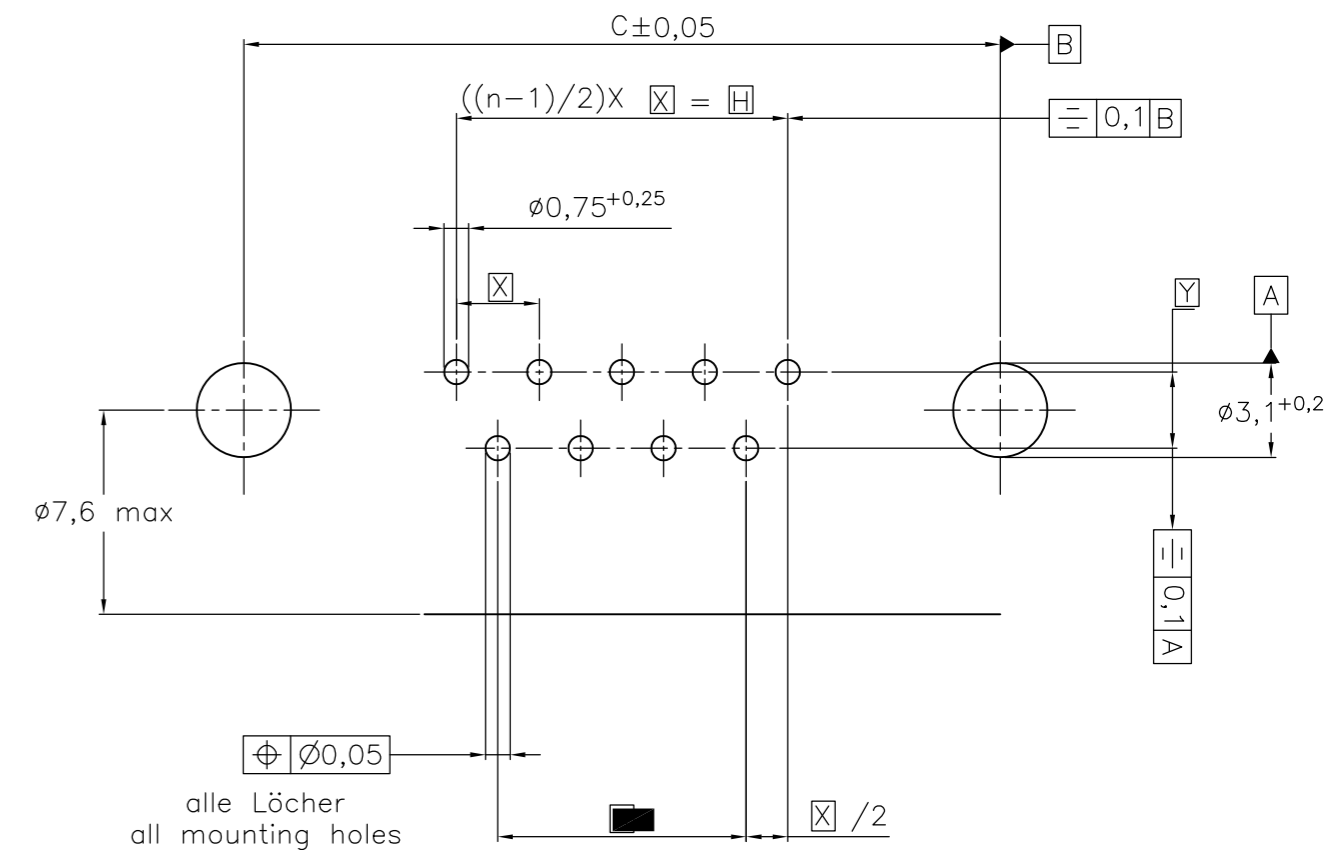
THIS DRAWING IS UNPUBLISHED. RELEASED FOR PUBLICATION  
 © COPYRIGHT - By - ALL RIGHTS RESERVED.

LOC		DIST		REVISIONS			
GP	00	P	LTR	DESCRIPTION	DATE	DWN	APVD
		-	-	SEE SHEET 1	-	-	-

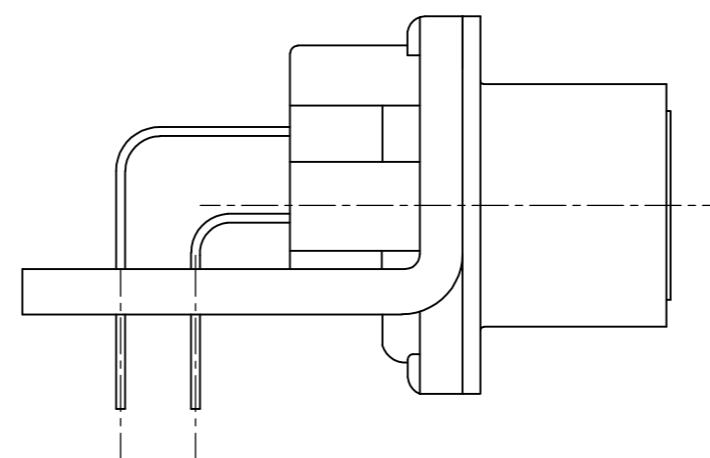
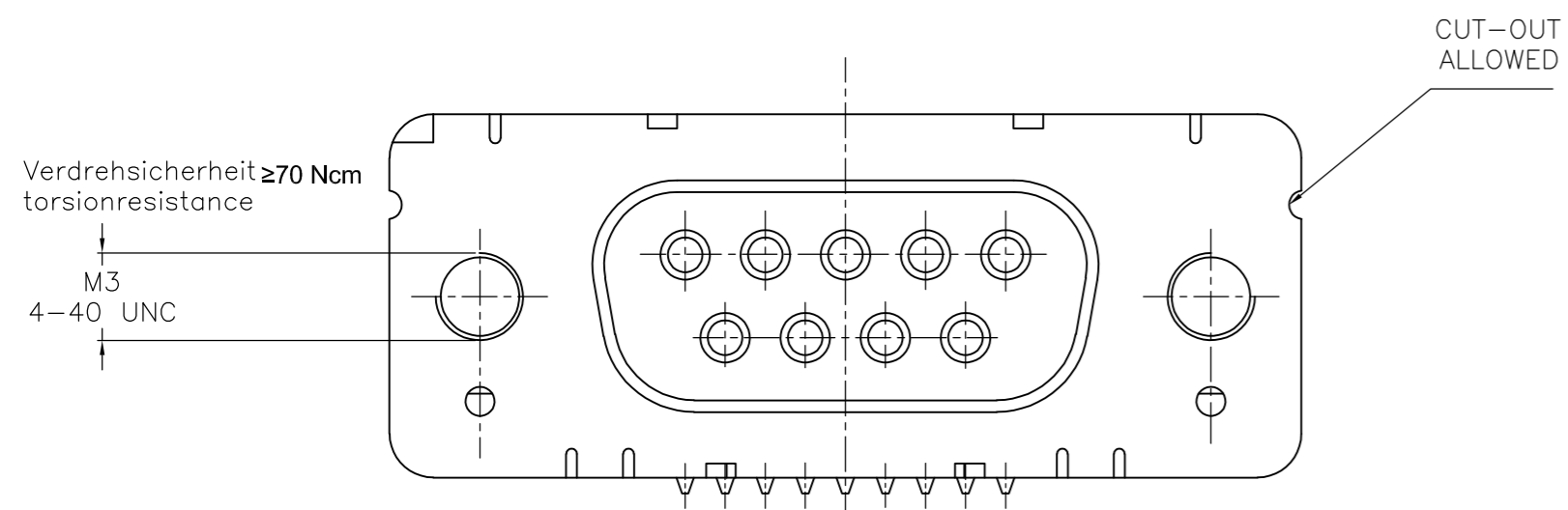
mit Gewindebolzen: M3 V23529-Bxx24-Bxxx-+  
 with threadlock 4-40 UNC V23529-Bxx25-Bxxx-+



Leiterplattenbohrung  
 PCB hole pattern



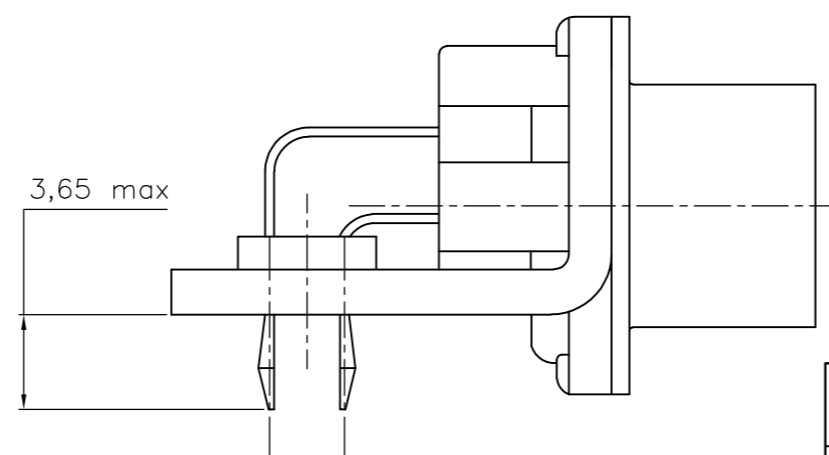
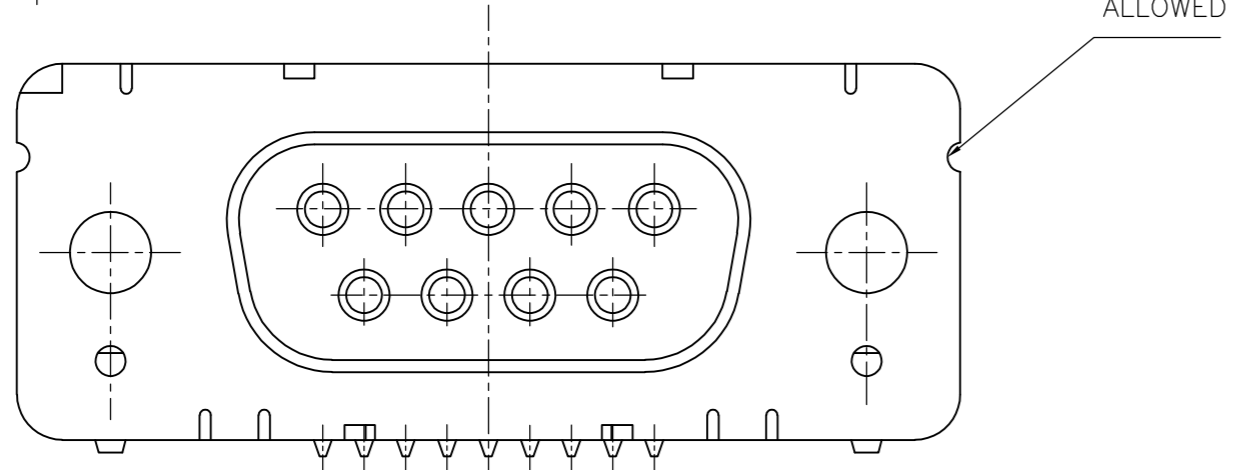
mit Gewinde : M3 V23529-Bxx22-Bxxx-+  
 with thread 4-40 UNC V23529-Bxx23-Bxxx-+



Mass Dimension	Polzahl n Number of contacts n			
	9	15	25	37
C	25	33,3	47,04	63,5
H	10,96	19,18	33,12	49,68
K	8,22	16,44	30,36	46,92
X	2,74	2,74	2,76	2,76
Y	2,54			

1) nach DIN 41652.T.2 und T.4  
 according to DIN 41652 T.2 AND T.4

mit clipbefestigung V23529-Bx22x-Bxxx-+  
 with snap-in



LP-Dicke <math>1,6 \pm 0,13 \text{ mm}</math>, Loch <math>\varnothing 3,1^{+0,2}</math>  
 PC-board-thickness <math>1,6 \pm 0,13 \text{ mm}</math>, Hole <math>\varnothing 3,1^{+0,2}</math>

OLD PN: V23529-B\*\*\*\*\*-B\*\*\*-\*-7427

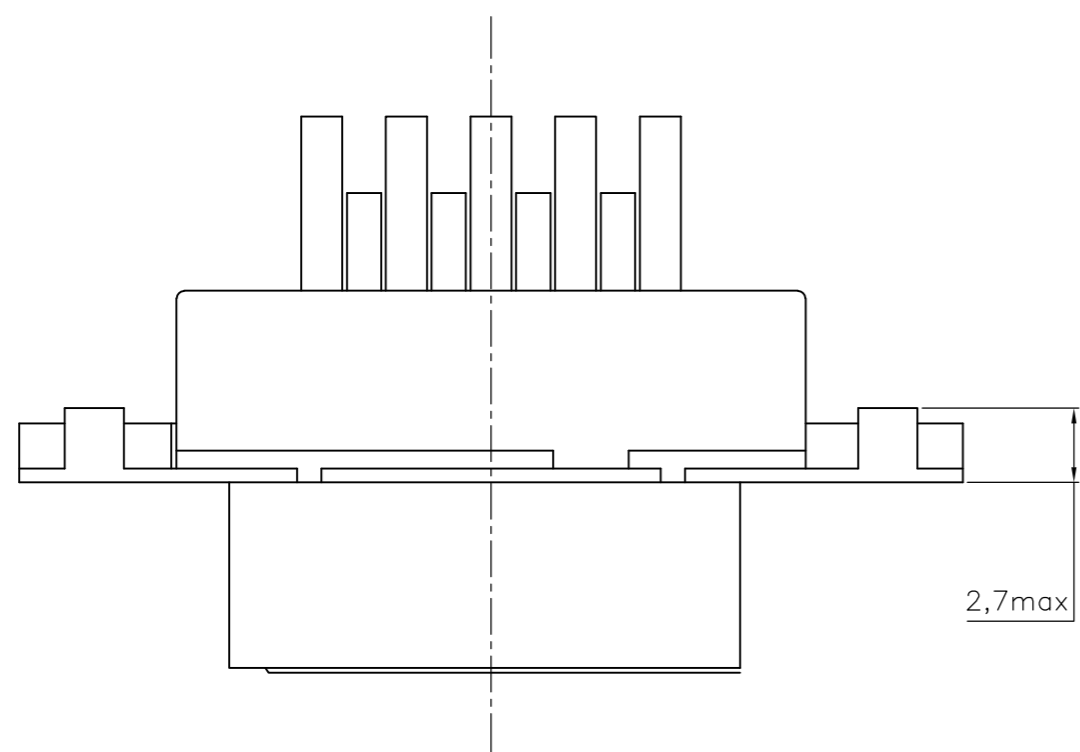
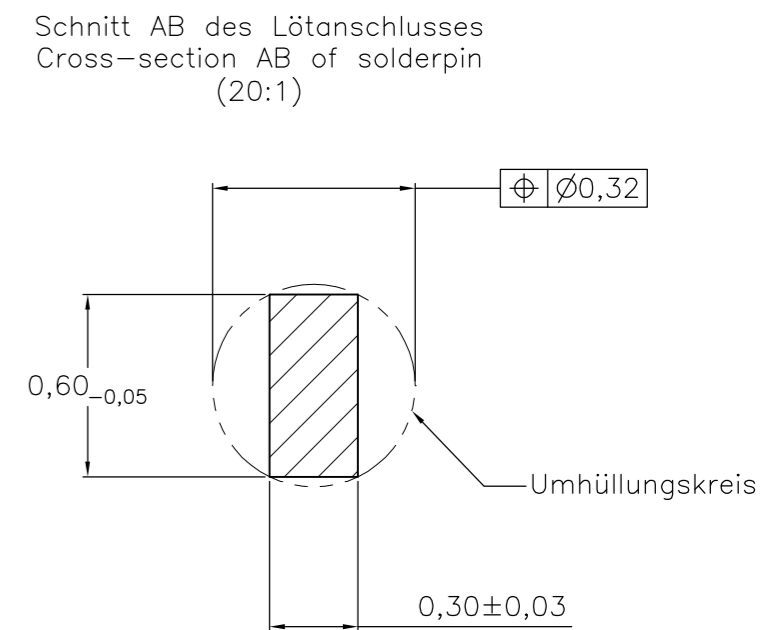
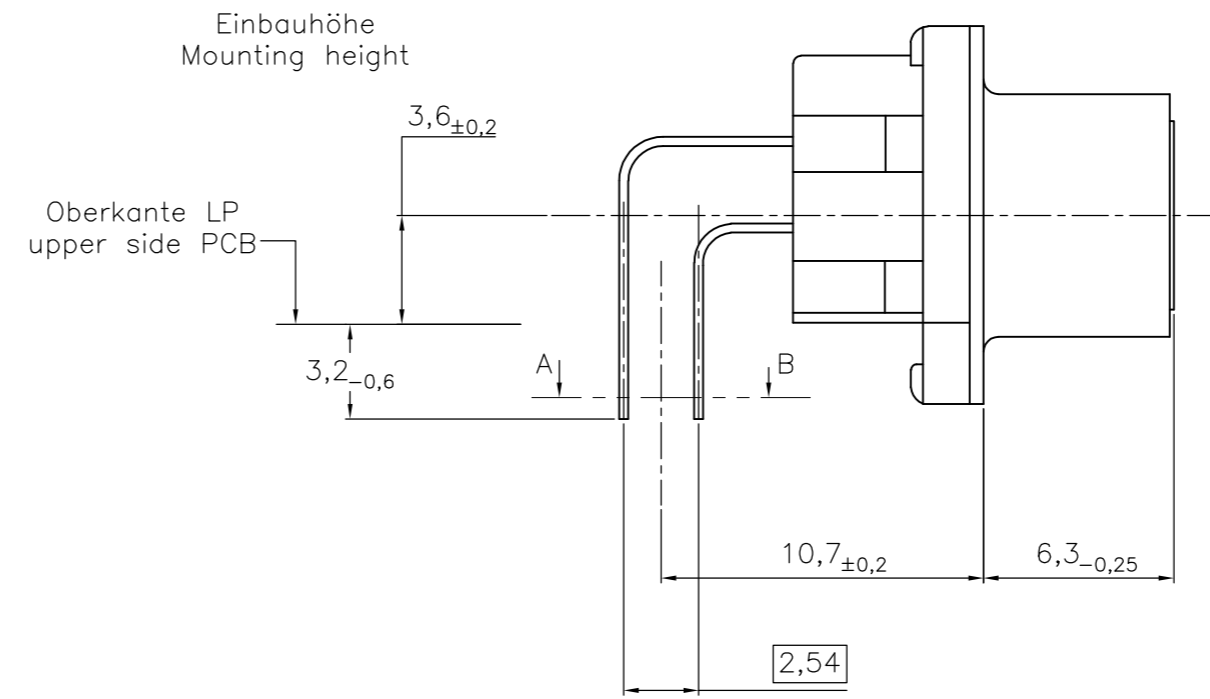
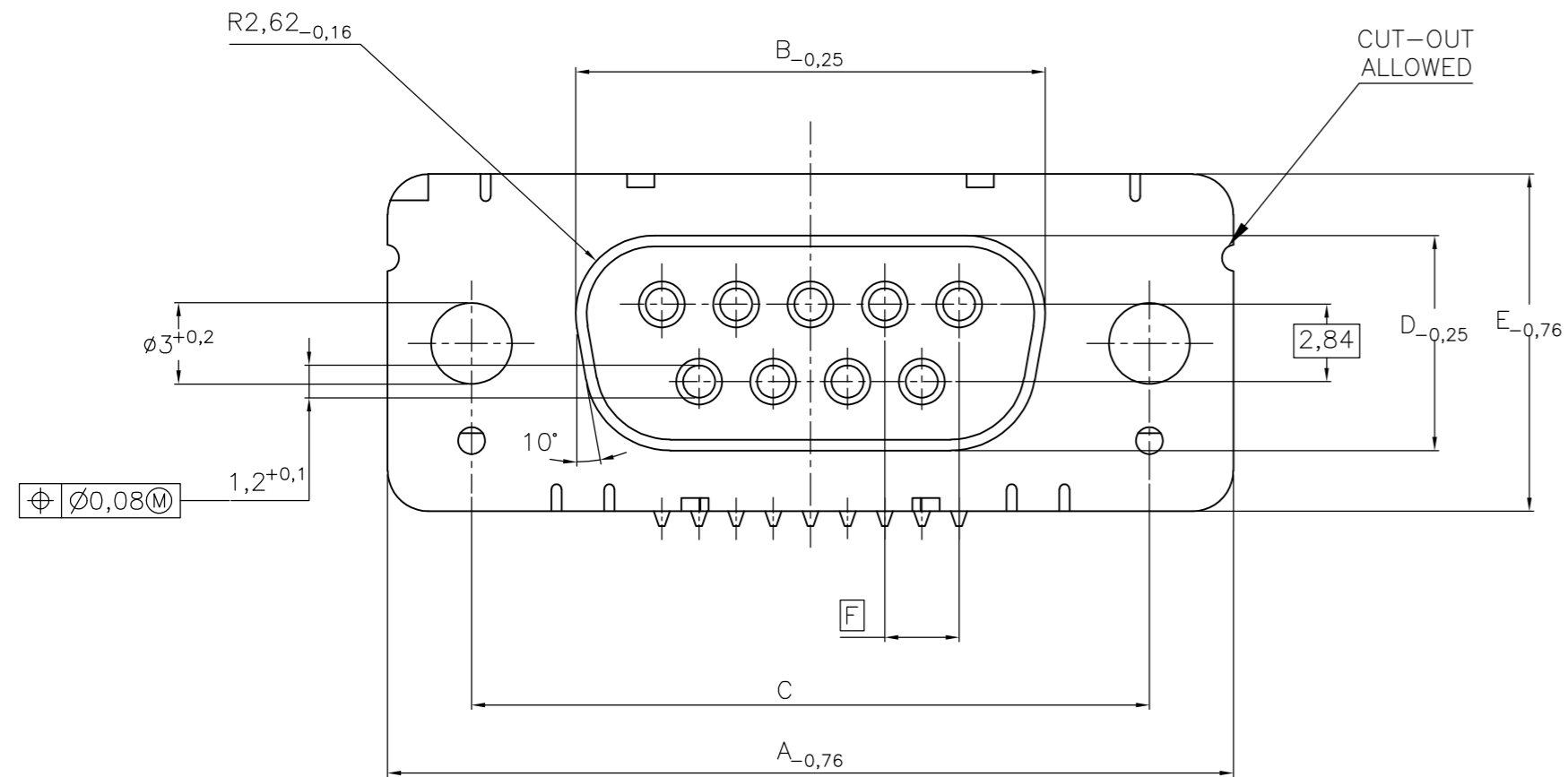
THIS DRAWING IS A CONTROLLED DOCUMENT.		DWN GNANI JADAV A E	07JAN10	
DIMENSIONS: mm		CHK K. MALCZYK	NAME	
TOLERANCES UNLESS OTHERWISE SPECIFIED:		APVD K. MALCZYK	TE Connectivity	
0 PLC ± -		PRODUCT SPEC	Buchsenleiste 1)	
1 PLC ± -		APPLICATION SPEC	Einbauhohle 3,6 mm (Variante 1)	
2 PLC ± -		WEIGHT	Socketconnector-90° solderversion (Type1) <sup>1)</sup>	
3 PLC ± -		SCALE	SIZE	RESTRICTED TO
4 PLC ± -		CUSTOMER DRAWING	A2	-
ANGLES ± -		SCALE	00779	00779
FINISH		SCALE	1-1393480-7	1-1393480-7
MATERIAL		SCALE	2:1	2 of 6
FINISH		SCALE	2:1	2 of 6

1-1393480-7

THIS DRAWING IS UNPUBLISHED. RELEASED FOR PUBLICATION  
 © COPYRIGHT - By - ALL RIGHTS RESERVED.

LOC		DIST		REVISIONS			
GP	00	P	LTR	DESCRIPTION	DATE	DWN	APVD
		-	-	SEE SHEET 1	-	-	-

Standardausführung ohne Winkel: V23529-B50x1-Bxxx-+  
 Standardversion without bracket



Ordercode Sachnr	Contacts Polzahl	Mass/Dimension					
		A	B	C	D	E	F
..-Bx09-+	09	31,19	16,46	25,0 <sup>+0,12</sup> / <sub>-0,13</sub>	8,02	12,93	2,74
..-Bx15-+	15	39,52	24,79	33,3 <sup>+0,15</sup> / <sub>-0,1</sub>			2,74
..-Bx25-+	25	53,42	38,5	47,04 <sup>+0,13</sup> / <sub>-0,13</sub>			2,76
..-Bx37-+	37	69,7	54,96	63,5 <sup>+0,13</sup> / <sub>-0,13</sub>			2,76

Anforderungsstufe/Performance level <sup>1)</sup>

OLD PN: V23529-B\*\*\*\*-B\*\*\*-\*-7427

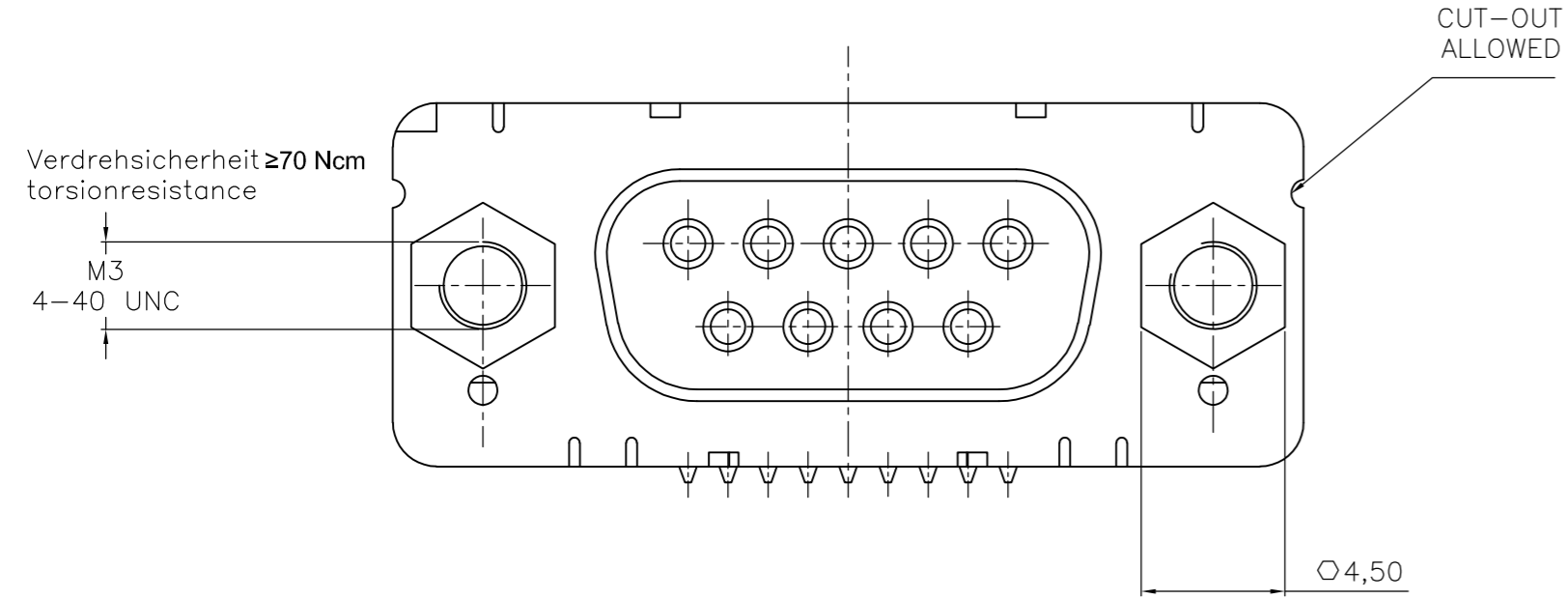
1) nach DIN 41652 T.2 und T.4  
 according to DIN 41652 T.2 AND T.4

THIS DRAWING IS A CONTROLLED DOCUMENT.		DWN GNANI JADAV A E	07JAN10	<b>TE</b> TE Connectivity	
DIMENSIONS: mm		CHK K. MALCZYK	APVD K. MALCZYK		
TOLERANCES UNLESS OTHERWISE SPECIFIED:		PRODUCT SPEC		NAME Buchsenleiste <sup>1)</sup> Einbauhöhe 3,6 mm (Variante 1) Socketconnector-90° solderversion (Type1) <sup>1)</sup>	
0 PLC ± - 1 PLC ± - 2 PLC ± - 3 PLC ± - 4 PLC ± - ANGLES ± -		APPLICATION SPEC		SIZE A2	CAGE CODE 00779
MATERIAL -		FINISH -		DRAWING NO C=1-1393480-7	
		WEIGHT -		RESTRICTED TO -	
CUSTOMER DRAWING				SCALE 2:1	SHEET 3 of 6
				REV B	

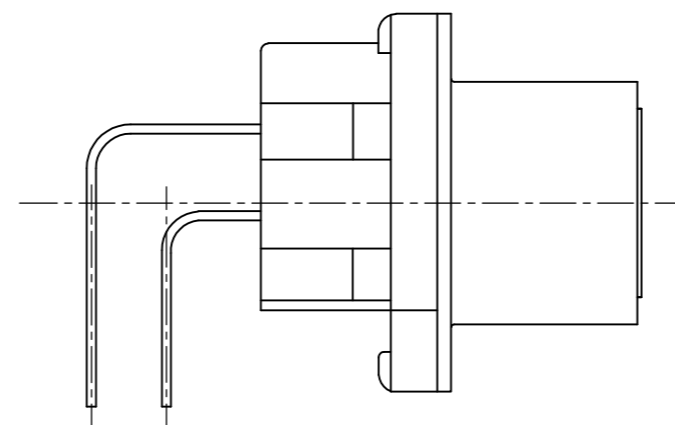
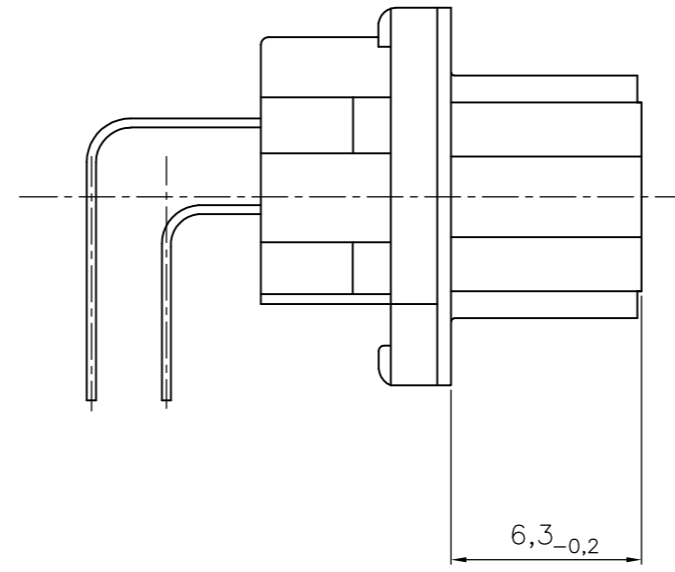
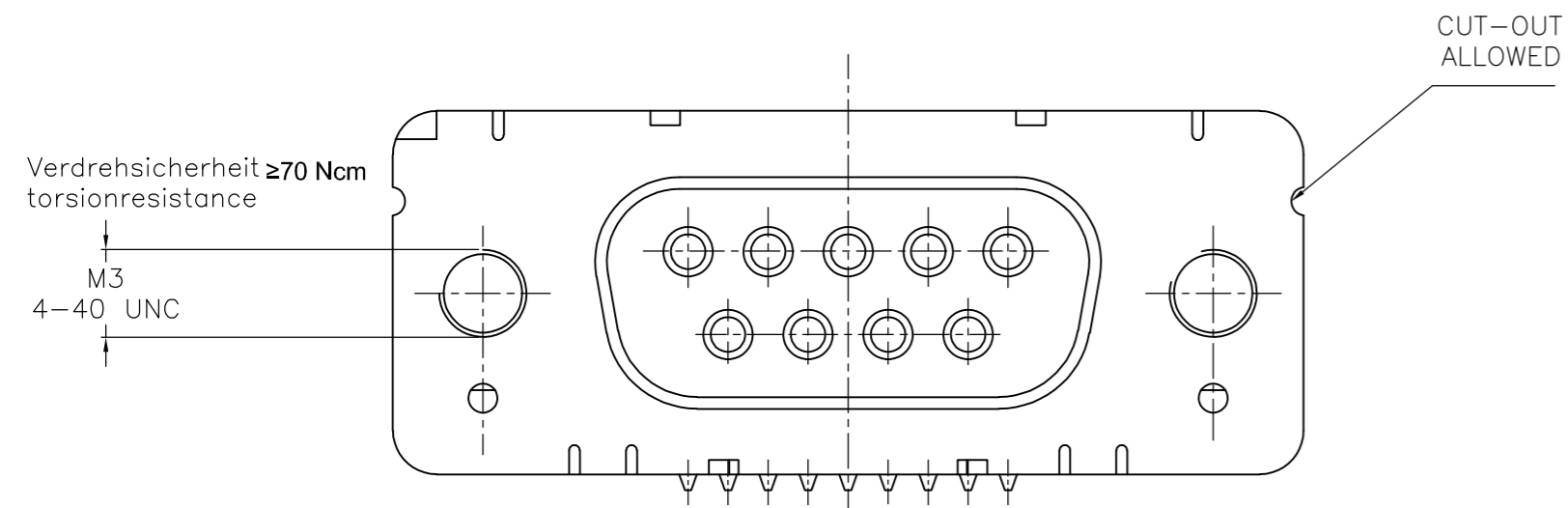
THIS DRAWING IS UNPUBLISHED. RELEASED FOR PUBLICATION  
 © COPYRIGHT - By - ALL RIGHTS RESERVED.

LOC		DIST		REVISIONS			
P	LTR	DESCRIPTION	DATE	DWN	APVD		
GP	00	SEE SHEET 1	-	-	-		

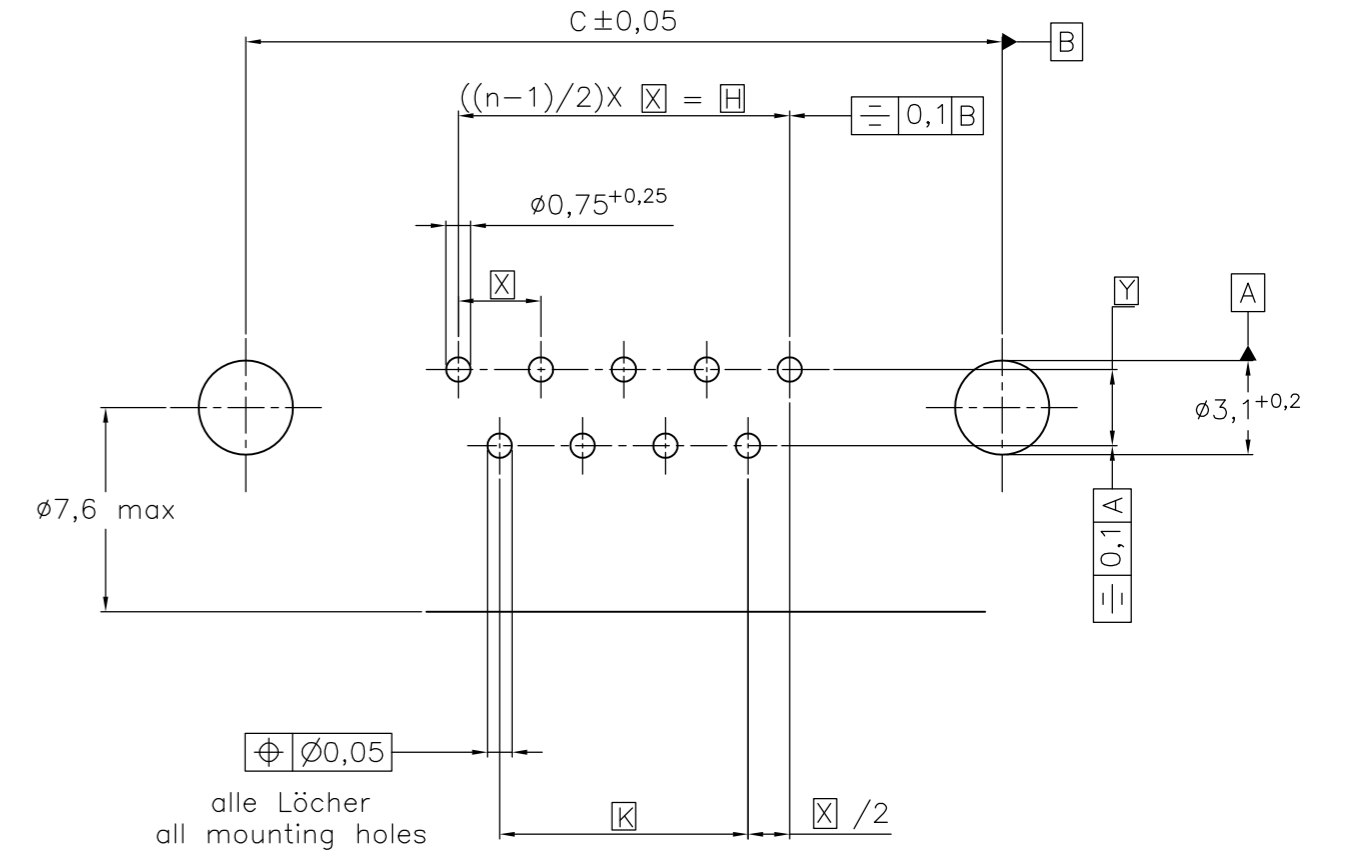
mit Gewindebolzen: M3 V23529-B50x4-Bxxx-+  
 with threadlock 4-40 UNC V23529-B50x5-Bxxx-+



mit Gewinde : M3 V23529-B50x2-Bxxx-+  
 with thread 4-40 UNC V23529-B50x3-Bxxx-+



Leiterplattenbohrung  
PCB hole pattern



Mass Dimension	Polzahl n Number of contacts n			
	9	15	25	37
C	25	33,3	47,04	63,5
H	10,96	19,18	33,12	49,68
K	8,22	16,44	30,36	46,92
X	2,74	2,74	2,76	2,76
Y	2,54			

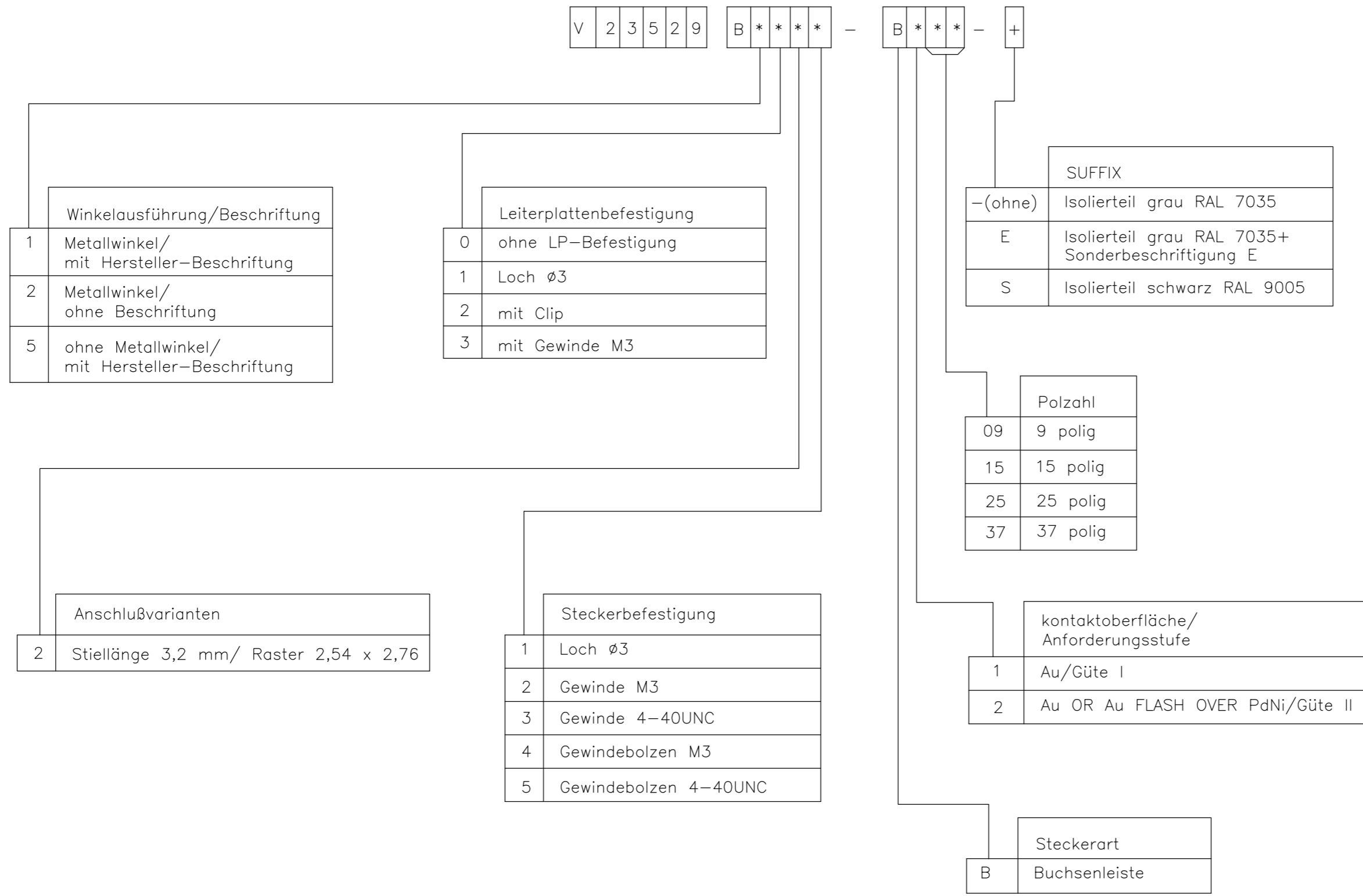
1) nach DIN 41652T.2 und T.4  
 according to DIN 41652 T.2 AND T.4

OLD PN: V23529-B\*\*\*\*-B\*\*\*-\*-7427

THIS DRAWING IS A CONTROLLED DOCUMENT.		DWN GNANI JADAV A E	07JAN10	TE Connectivity	
DIMENSIONS: mm		CHK K. MALCZYK	APVD K. MALCZYK	NAME Buchsenleiste Einbauhöhe 3,6 mm (Variante 1) Socketconnector-90° solderversion (Type1) <sup>1)</sup>	
TOLERANCES UNLESS OTHERWISE SPECIFIED: 		PRODUCT SPEC	APPLICATION SPEC	SIZE A2	CAGE CODE 00779
MATERIAL		WEIGHT	SCALE 2:1	DRAWING NO C=1-1393480-7	RESTRICTED TO
FINISH		CUSTOMER DRAWING	SHEET 4 of 6	REV B	

THIS DRAWING IS UNPUBLISHED. RELEASED FOR PUBLICATION  
 © COPYRIGHT - By - ALL RIGHTS RESERVED.

LOC		DIST		REVISIONS			
P	LTR	DESCRIPTION		DATE	DWN	APVD	
GP	00	-	-	SEE SHEET 1	-	-	



1) nach DIN 41652.2 und T.4  
 according to DIN 41652 p.2 AND p.4

OLD PN: V23529-B\*\*\*\*\*-B\*\*\*-\*-7427

THIS DRAWING IS A CONTROLLED DOCUMENT.		DWN GNANI JADAV A E	07JAN10	<b>STE</b> TE Connectivity	
DIMENSIONS: mm		CHK K. MALCZYK	APVD K. MALCZYK		
TOLERANCES UNLESS OTHERWISE SPECIFIED:		PRODUCT SPEC		NAME Buchsenleiste Einbauhöhe 3,6 mm (Variante 1) <sup>1)</sup> Socketconnector-90° solderversion (Type1) <sup>1)</sup>	
MATERIAL		APPLICATION SPEC		SIZE A2	CAGE CODE 00779
FINISH		WEIGHT		DRAWING NO C=1-1393480-7	RESTRICTED TO
		CUSTOMER DRAWING		SCALE 2:1	SHEET 5 of 6
				REV B	

THIS DRAWING IS UNPUBLISHED. RELEASED FOR PUBLICATION  
 © COPYRIGHT - By - ALL RIGHTS RESERVED.

LOC	DIST	REVISIONS					
		P	LTR	DESCRIPTION	DATE	DWN	APVD
GP	00	-	-	SEE SHEET 1	-	-	-

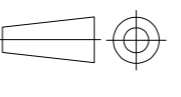
Active part numbers. Contact TE CONNECTIVITY for other configuration availability

Old Part Number	TE CONNECTIVITY Part Number
V23529-B1121-B209	1-1393480-7
V23529-B1121-B215	1-1393480-8
V23529-B1121-B225	1-1393480-9
V23529-B1121-B237	2-1393480-0
V23529-B1122-B209	2-1393480-8
V23529-B1122-B215	2-1393480-9
V23529-B1122-B225	3-1393480-0
V23529-B1122-B237	3-1392010-8
V23529-B1123-B109	3-1393480-4
V23529-B1123-B209	3-1393480-6
V23529-B1123-B215	3-1393480-7
V23529-B1123-B225	3-1393480-8
V23529-B1123-B237	3-1393480-9
V23529-B1125-B209	4-1393480-7
V23529-B1125-B215	4-1393480-8
V23529-B1125-B225	4-1393480-9
V23529-B1125-B237	5-1393480-0
V23529-B1221-B209	5-1393480-5
V23529-B1221-B215	5-1393480-6
V23529-B1221-B225	5-1393480-7
V23529-B1222-B109	6-1393480-4

Old Part Number	TE CONNECTIVITY Part Number
V23529-B1222-B115	6-1393480-5
V23529-B1222-B125	6-1393480-6
V23529-B1222-B209	6-1393480-7
V23529-B1222-B215	6-1393480-8
V23529-B1222-B225	6-1393480-9
V23529-B1222-B237	7-1393480-0
V23529-B1223-B109	7-1393480-8
V23529-B1223-B115	7-1393480-9
V23529-B1223-B125	8-1393480-0
V23529-B1223-B209	8-1393480-1
V23529-B1223-B215	8-1393480-2
V23529-B1223-B225	8-1393480-3
V23529-B1223-B237	8-1393480-4
V23529-B1224-B209	9-1393480-0
V23529-B1224-B215	9-1393480-1
V23529-B1224-B225	9-1393480-2
V23529-B1225-B209	9-1393480-9
V23529-B1225-B215	1393481-1
V23529-B1225-B225	1393481-2
V23529-B1225-B237	3-1392010-7
V23529-B2221-B209	1-1393481-1

1) nach DIN 41652 T.2 und T.4  
 according to DIN 41652 p.2 AND p.4

OLD PN: V23529-B\*\*\*\*-B\*\*\*-\*-7427

THIS DRAWING IS A CONTROLLED DOCUMENT.		DWN GNANI JADAV A E	07JAN10	<b>TE</b> TE Connectivity	
DIMENSIONS: mm		CHK K. MALCZYK	-		
TOLERANCES UNLESS OTHERWISE SPECIFIED:		APVD K. MALCZYK	NAME	Buchsleistenleiste <sup>1)</sup> Einbauhöhe 3,6 mm (Variante 1) Socketconnector-90° solderversion (Type1) <sup>1)</sup>	
		PRODUCT SPEC	SIZE	CAGE CODE	DRAWING NO
MATERIAL		APPLICATION SPEC	A2	00779	C=1-1393480-7
FINISH		WEIGHT	RESTRICTED TO		-
-		CUSTOMER DRAWING	SCALE	SHEET	REV
			2:1	6 of 6	B

1-1393480-7