



Chipsmall Limited consists of a professional team with an average of over 10 year of expertise in the distribution of electronic components. Based in Hongkong, we have already established firm and mutual-benefit business relationships with customers from,Europe,America and south Asia,supplying obsolete and hard-to-find components to meet their specific needs.

With the principle of “Quality Parts,Customers Priority,Honest Operation,and Considerate Service”,our business mainly focus on the distribution of electronic components. Line cards we deal with include Microchip,ALPS,ROHM,Xilinx,Pulse,ON,Everlight and Freescale. Main products comprise IC,Modules,Potentiometer,IC Socket,Relay,Connector.Our parts cover such applications as commercial,industrial, and automotives areas.

We are looking forward to setting up business relationship with you and hope to provide you with the best service and solution. Let us make a better world for our industry!



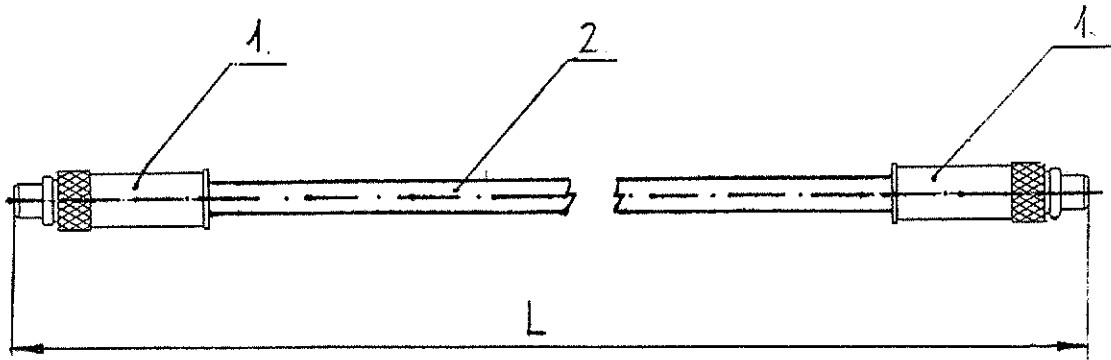
Contact us

Tel: +86-755-8981 8866 Fax: +86-755-8427 6832

Email & Skype: info@chipsmall.com Web: www.chipsmall.com

Address: A1208, Overseas Decoration Building, #122 Zhenhua RD., Futian, Shenzhen, China





Active part numbers. Contact Tyco Electronics for other configuration availability.

Old Part Number	Tyco Part Number
V23681H1021H1	5-1393667-0

				Datum	29/10/99	KOAX Verbindungskabel
				Bearb.	Gyöngy Attila	
				Gepr.	CS CI	
				EC		
A	Gyöngy Attila 1999-10-05 W00041508	02.05.00	De	tyco / Electronics		V23681-H1011-H1-*-7606
01		29/10/99	GYA			
Zust.	Mitteilung	Datum	Name			
						Blatt 1-