



Chipsmall Limited consists of a professional team with an average of over 10 year of expertise in the distribution of electronic components. Based in Hongkong, we have already established firm and mutual-benefit business relationships with customers from,Europe,America and south Asia,supplying obsolete and hard-to-find components to meet their specific needs.

With the principle of "Quality Parts,Customers Priority,Honest Operation,and Considerate Service",our business mainly focus on the distribution of electronic components. Line cards we deal with include Microchip,ALPS,ROHM,Xilinx,Pulse,ON,Everlight and Freescale. Main products comprise IC,Modules,Potentiometer,IC Socket,Relay,Connector.Our parts cover such applications as commercial,industrial, and automotives areas.

We are looking forward to setting up business relationship with you and hope to provide you with the best service and solution. Let us make a better world for our industry!



Contact us

Tel: +86-755-8981 8866 Fax: +86-755-8427 6832

Email & Skype: info@chipsmall.com Web: www.chipsmall.com

Address: A1208, Overseas Decoration Building, #122 Zhenhua RD., Futian, Shenzhen, China



THIS DRAWING IS UNPUBLISHED. RELEASED FOR PUBLICATION
 © COPYRIGHT BY TYCO ELECTRONICS CORPORATION. ALL RIGHTS RESERVED.

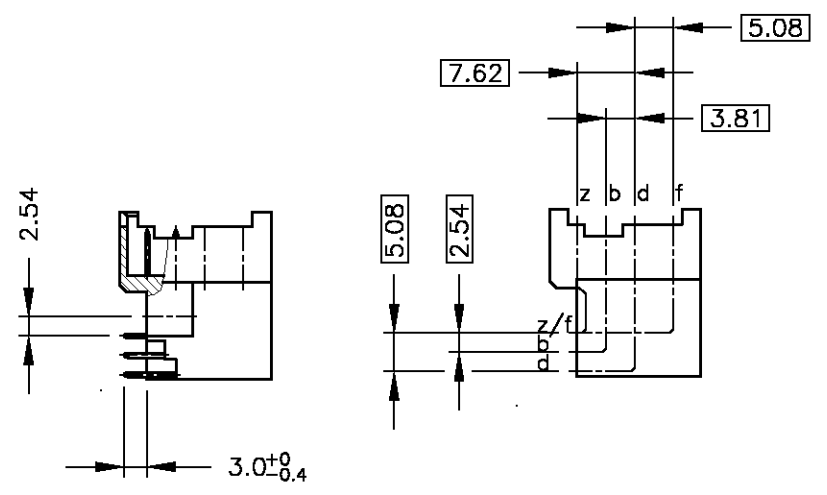
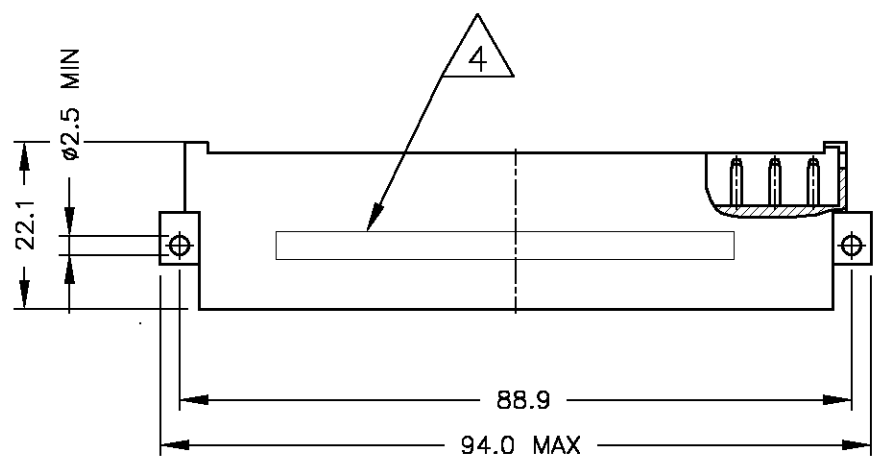
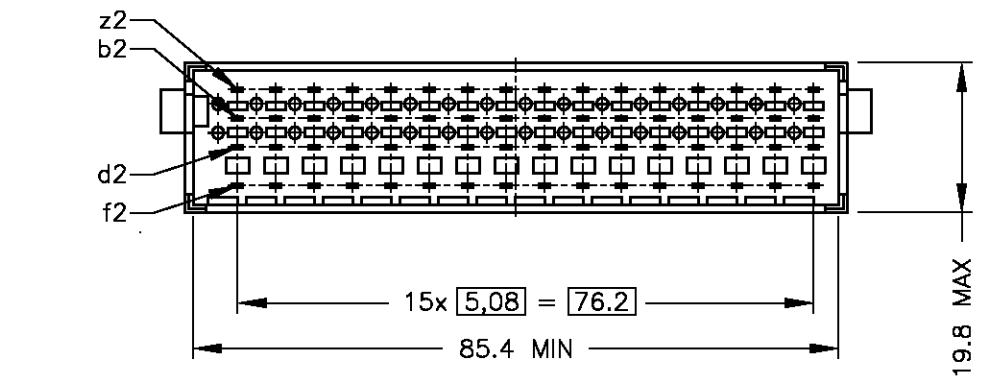
LOC	DIST	REVISIONS					
H	-	P	LTR	DESCRIPTION	DATE	DWN	APVD
		A1		ECR-07-024622	16OCT2007	JvH	BM

- NOTES:
- HOUSING: GLASS FILLED THERMOPLASTIC UL 94 V-0 RATED; GREY
 - CONTACTS: COPPER ALLOY
 - PLATING:
 CONTACT AREA: PERFORMANCE LEVEL 1 OR 2 (SEE TABLE)
 ACCORDING TO DIN 41612 AND EN 60603-2, TYPE G
 SOLDERING AREA: 3-7µm TIN OVER 0,8µm NICKEL
 CONNECTOR IS PRINTED WITH PARTNUMBER AND DATECODE
 PART IDENTICAL TO 5-9



P/N	PERF.LVL	CONTACT ASSIGNMENT																								POS							
		1								2								3															
		1	2	3	4	5	6	7	8	9	0	1	2	3	4	5	6	7	8	9	0	1	2	3	4	5	6	7	8	9	0	1	2
4-2	1	z	+	+	+	+	+	+	+	+	+	+	+	+	+	+	+	+	+	+	+	+	+	+	+	+	+	+	+	+	+	+	64
5-9	2	b	+	+	+	+	+	+	+	+	+	+	+	+	+	+	+	+	+	+	+	+	+	+	+	+	+	+	+	+	+	+	64
6-0	2	d	+	+	+	+	+	+	+	+	+	+	+	+	+	+	+	+	+	+	+	+	+	+	+	+	+	+	+	+	+	+	64
		f	+	+	+	+	+	+	+	+	+	+	+	+	+	+	+	+	+	+	+	+	+	+	+	+	+	+	+	+	+	+	64
4-4	1	z	v	+	+	+	+	+	+	+	+	+	+	+	+	+	+	+	+	+	+	+	+	+	+	+	+	+	+	+	+	64	
6-1	2	b	v	+	+	+	+	+	+	+	+	+	+	+	+	+	+	+	+	+	+	+	+	+	+	+	+	+	+	+	+	v	64
		d	+	+	+	+	+	+	+	+	+	+	+	+	+	+	+	+	+	+	+	+	+	+	+	+	+	+	+	+	+	+	64
		f	+	+	+	+	+	+	+	+	+	+	+	+	+	+	+	+	+	+	+	+	+	+	+	+	+	+	+	+	+	+	64

+ CONTACT
 v PREMATING CONTACT 1,3mm



THIS DRAWING IS A CONTROLLED DOCUMENT.		DWN	J.van Hoek	05OCT2007	Tyco Electronics Corporation 's-Hertogenbosch, Nederland	
DIMENSIONS: mm		CHK	B.Mooij	16OCT2007	NAME	
TOLERANCES UNLESS OTHERWISE SPECIFIED:		APVD	J.Broeksteeg	16OCT2005	EUROCARD MALE CONNECTOR TYPE G 64 POS. ANGLED	
0 PLC ± -		PRODUCT SPEC	-			
1 PLC ± -		APPLICATION SPEC	-			
2 PLC ± -		WEIGHT	-			
3 PLC ± -		SIZE	A3	CAGE CODE	00779	DRAWING NO
4 PLC ± -		CUSTOMER DRAWING		C-4-1393755-2		RESTRICTED TO
ANGLES ± -		SCALE		1:1		SHEET
FINISH		-		1 OF 1		REV
-		-		A1		