



Chipsmall Limited consists of a professional team with an average of over 10 year of expertise in the distribution of electronic components. Based in Hongkong, we have already established firm and mutual-benefit business relationships with customers from,Europe,America and south Asia,supplying obsolete and hard-to-find components to meet their specific needs.

With the principle of “Quality Parts,Customers Priority,Honest Operation,and Considerate Service”,our business mainly focus on the distribution of electronic components. Line cards we deal with include Microchip,ALPS,ROHM,Xilinx,Pulse,ON,Everlight and Freescale. Main products comprise IC,Modules,Potentiometer,IC Socket,Relay,Connector.Our parts cover such applications as commercial,industrial, and automotives areas.

We are looking forward to setting up business relationship with you and hope to provide you with the best service and solution. Let us make a better world for our industry!



Contact us

Tel: +86-755-8981 8866 Fax: +86-755-8427 6832

Email & Skype: info@chipsmall.com Web: www.chipsmall.com

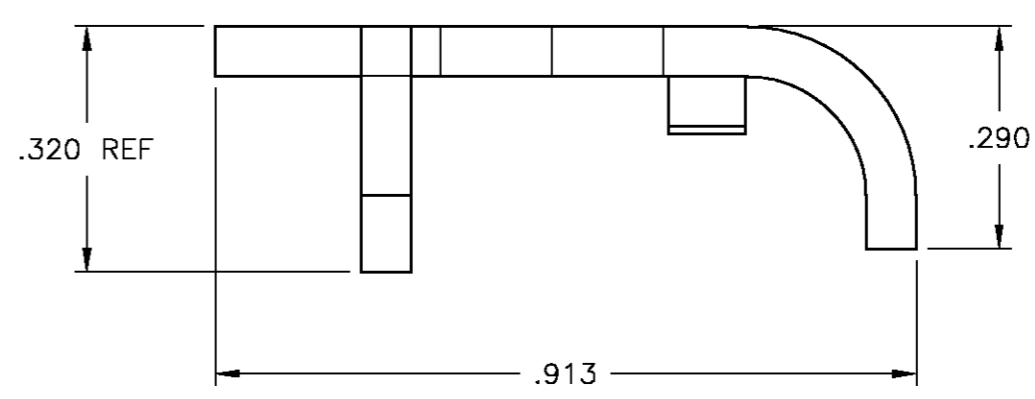
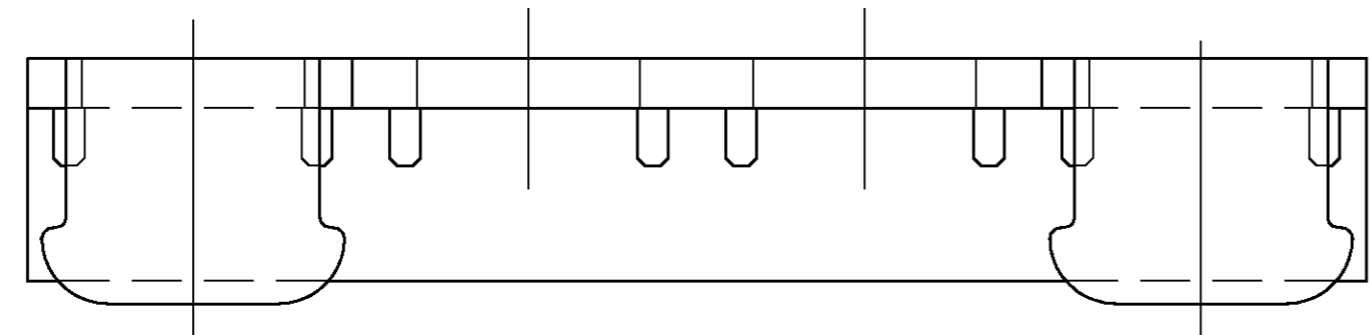
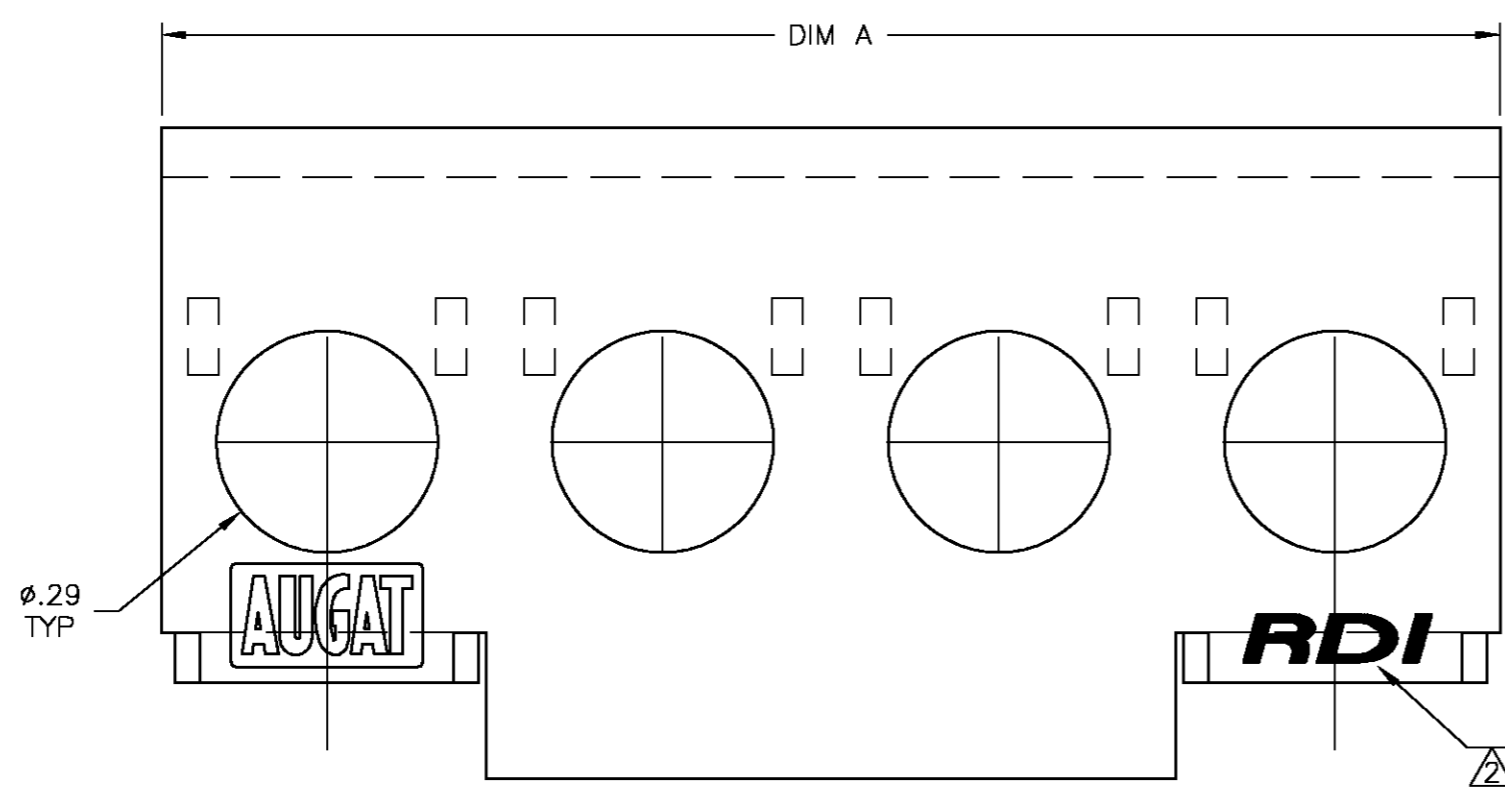
Address: A1208, Overseas Decoration Building, #122 Zhenhua RD., Futian, Shenzhen, China



THIS DRAWING IS UNPUBLISHED. RELEASED FOR PUBLICATION
 © COPYRIGHT BY TYCO ELECTRONICS CORPORATION. ALL RIGHTS RESERVED.

LOC		DIST		REVISIONS			
P	LTR	DESCRIPTION	DATE	DWN	APVD		
0		REVISED PER 0G3B-1207-04	1/12/05	SS	SRY		

NOTES:
 1. MATERIAL: POLYPHENYLENE OXIDE UL94V-0, BLACK.
 2. POSTION HAS RDI LOGO OMITTED.
 3. FOR USE WITH 8 SERIES BARRIER STRIPS.



DIM A	NO. OF POS.	CATALOG NUMBER	PART NUMBER
6.993	16	TC8-16-PFHH	1-1776367-6
6.555	15	TC8-15-PFH	1-1776367-5
6.118	14	TC8-14-PFH	1-1776367-4
5.680	13	TC8-13-PFH	1-1776367-3
5.243	12	TC8-12-PFH	1-1776367-2
4.805	11	TC8-11-PFH	6-1437661-3
4.368	10	TC8-10-PFH	6-1437661-2
3.930	9	TC8-09-PFH	7-1437661-9
3.493	8	TC8-08-PFH	6-1437661-0
3.055	7	TC8-07-PFH	5-1437661-8
2.618	6	TC8-06-PFH	5-1437661-6
2.180	5	TC8-05-PFH	5-1437661-4
1.743	4	TC8-04-PFH	5-1437661-2
1.305	3	TC8-03-PFH	5-1437661-0
.868	2	TC8-02-PFH	7-1437661-5

THIS DRAWING IS A CONTROLLED DOCUMENT.		DWN	S SCHLEGEL	1/12/05	BUCHANAN Tyco Electronics Corporation Harrisburg, PA 17105
DIMENSIONS: INCHES		CHK	S YODER	1/12/05	
TOLERANCES UNLESS OTHERWISE SPECIFIED:		APVD	S YODER	1/12/05	
0 PLC ± - 1 PLC ± - 2 PLC ± - 3 PLC ± .010 4 PLC ± - ANGLES ± - FINISH -		PRODUCT SPEC	NAME		
MATERIAL		APPLICATION SPEC		TC8-XX-PFH PRESS FIT TERMINAL BLOCK COVER, W/ HOLES	
-		WEIGHT	-		SIZE
		CUSTOMER DRAWING		A2	CAGE CODE
				00779	DRAWING NO
				C=5-1437661-0	RESTRICTED TO
				SCALE	4:1
				SHEET	1 OF 1
				REV	0

5-1437661-0