



Chipsmall Limited consists of a professional team with an average of over 10 year of expertise in the distribution of electronic components. Based in Hongkong, we have already established firm and mutual-benefit business relationships with customers from,Europe,America and south Asia,supplying obsolete and hard-to-find components to meet their specific needs.

With the principle of “Quality Parts,Customers Priority,Honest Operation,and Considerate Service”,our business mainly focus on the distribution of electronic components. Line cards we deal with include Microchip,ALPS,ROHM,Xilinx,Pulse,ON,Everlight and Freescale. Main products comprise IC,Modules,Potentiometer,IC Socket,Relay,Connector.Our parts cover such applications as commercial,industrial, and automotives areas.

We are looking forward to setting up business relationship with you and hope to provide you with the best service and solution. Let us make a better world for our industry!



Contact us

Tel: +86-755-8981 8866 Fax: +86-755-8427 6832

Email & Skype: info@chipsmall.com Web: www.chipsmall.com

Address: A1208, Overseas Decoration Building, #122 Zhenhua RD., Futian, Shenzhen, China

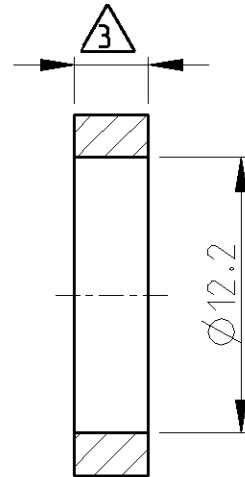
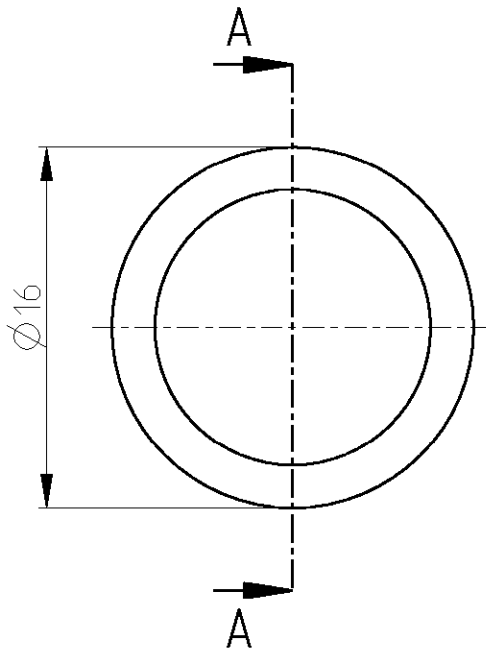


RELEASED FOR PUBLICATION 24-JUL-2001
 FÜR VERÖFFENTLICHUNG

RELEASÉ POUR PUBLICATION 24-JUL-2001
 VERÖFFENTLICHUNG

© COPYRIGHT 2001 BY TYCO ELECTRONICS CORPORATION. ALL RIGHTS RESERVED.
 VERTRÄGLICHE UNVERÖFFENTLICHE ZERTIFIZIERUNG

DATE WITH: PASSEND ZU:	LOC - A1	DIST -	REVISIONS ÄNDERUNGEN					
PROJEKT NR.: EGLPC01017			P	LTR	DESCRIPTION BESCHREIBUNG	DATE	DWN	APVD
				A1	EG00-1033-01	12JUN2001	NG	GF



SCHNITT A-A

NOTES:

- 1 CORROSION PROOF STEEL
- 2 MIN. QUANTITY ORDER: 15000 PCS.

BEMERKUNGEN:

- 1 ROSTFREIER STAHL
- 2 MINDESTBESTELLMENGE: 15000 STK.

3	T01-500-3.3	5-1437720-2	3.30 ±0.1
	T01-500-3.5	5-1437720-3	3.50 ±0.1
	CATALOG-NO. / KATALOG-NR.	TYCO-NO. / TYCO-NR.	THICKNESS / DICKE

DIMENSIONS: MASSEINHEITEN: MM	DWN N.GEISTER	12JUN2001	MATERIAL	-	1	FINISH OBERFLÄCHE/FARBE	-
	CHK H.SCHERER	12JUN2001	tyco Electronics tyco Electronics AMP GmbH D - 64625 Bensheim				
TOLERANCES UNLESS OTHERWISE SPECIFIED: ALLGEMEINTOLERANZEN	APVD G.FELDMEIER	12JUN2001	NAME T01 WASHER 3.3/3.5 T01 SCHEIBE 3.3/3.5				
	PRODUCT SPEC PRODUKTSPEZ.	-	SIZE	CAGE CODE	DRAWING NO ZEICHNUNGS-NR.	RESTRICTED TO NUR FÜR	
0 PLC ± 1 PLC ± 2 PLC ± 3 PLC ± 4 PLC ± ANGLES/WINKEL ±°	APPLICATION SPEC VERARBEITUNGSSPEZ.	-	A 4	00779	C=5-1437720-2	-	
	WEIGHT GEWICHT	-	CUSTOMER DRAWING		/KUNDENZEICHNUNG	SCALE MASSSTAB	3:1
			SHEET BLATT	1	OF VON	1	REV A1