



Chipsmall Limited consists of a professional team with an average of over 10 year of expertise in the distribution of electronic components. Based in Hongkong, we have already established firm and mutual-benefit business relationships with customers from,Europe,America and south Asia,supplying obsolete and hard-to-find components to meet their specific needs.

With the principle of “Quality Parts,Customers Priority,Honest Operation,and Considerate Service”,our business mainly focus on the distribution of electronic components. Line cards we deal with include Microchip,ALPS,ROHM,Xilinx,Pulse,ON,Everlight and Freescale. Main products comprise IC,Modules,Potentiometer,IC Socket,Relay,Connector.Our parts cover such applications as commercial,industrial, and automotives areas.

We are looking forward to setting up business relationship with you and hope to provide you with the best service and solution. Let us make a better world for our industry!



## Contact us

Tel: +86-755-8981 8866 Fax: +86-755-8427 6832

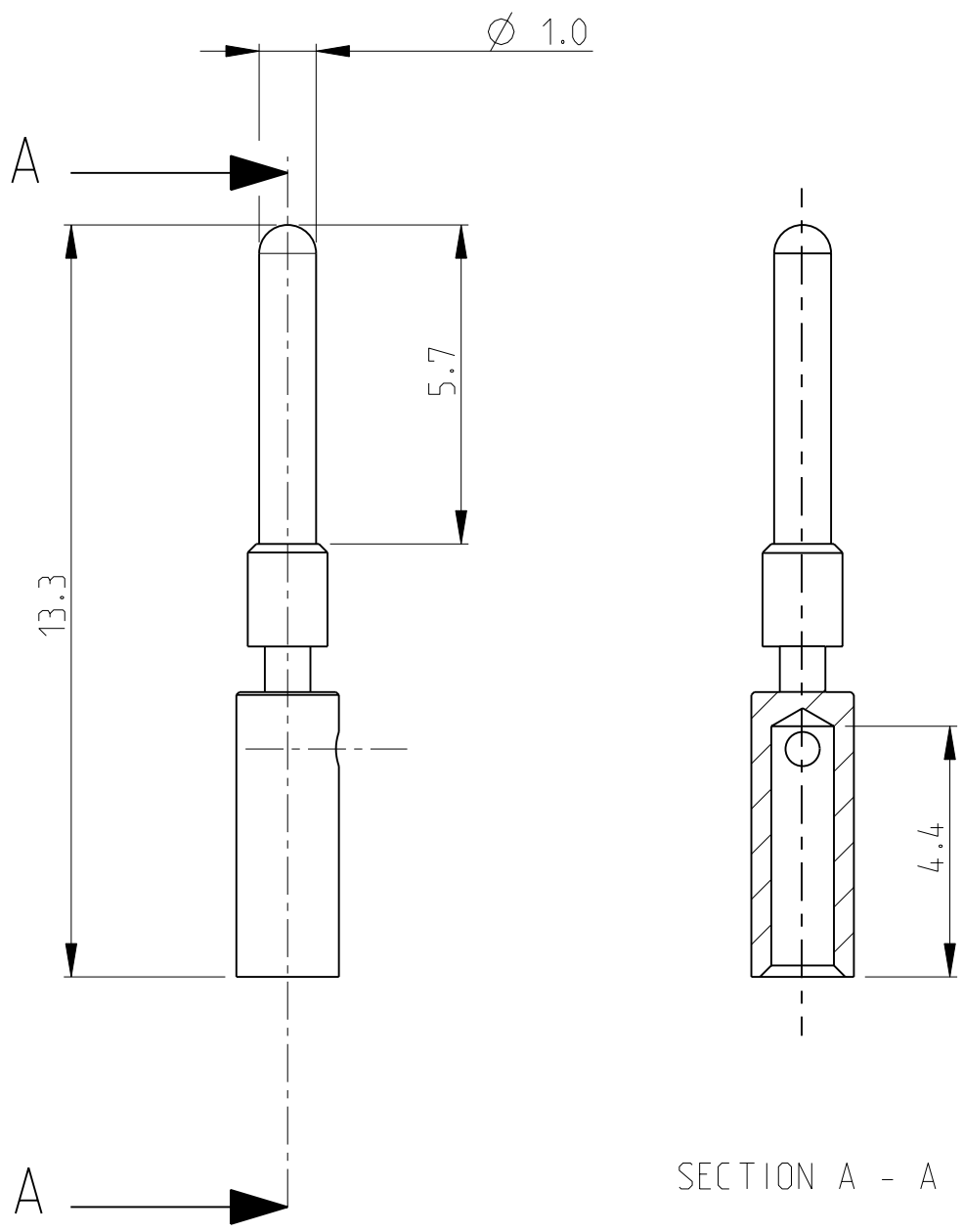
Email & Skype: info@chipsmall.com Web: www.chipsmall.com

Address: A1208, Overseas Decoration Building, #122 Zhenhua RD., Futian, Shenzhen, China



THIS DRAWING IS UNPUBLISHED  
 VERTRAULICHE UNVERÖFFENTLICHTE ZEICHNUNG  
 © COPYRIGHT 2001  
 RELEASED FOR PUBLICATION  
 FREI FUER VERÖFFENTLICHUNG  
 24-JUL-2001  
 ALL RIGHTS RESERVED.  
 ALLE RECHTE VORBEHALTEN

MATED WITH: PASSEND ZU:	LOC A1	DIST -	REVISIONS ÄNDERUNGEN					
			P	LTR	DESCRIPTION BESCHREIBUNG	DATE	DWN	APVD
	PROJEKT NR.: EGLPC01017			A3	REVISED PER ECO-11-020524	13OCT2011	KH	MS



- MATERIAL: BRASS  
MATERIAL: MESSING
  - PLATING: TRIBOR 4 µm  
BESCHICHTUNG: TRIBOR 4 µm
- 3 MATING HAND-CRIMPING-TOOL SEE PN 601966-1  
 USED WITH POSITIONER PN 1579003-1  
 PASSENDE HANDZANGE SIEHE PN 601966-1  
 IN VERBINDUNG MIT POSITIONIERER PN 1579003-1

	CONNECTING CROSS-SECTION ANSCHLUSSQUERSCHNITT	SET-NO. ON HAND-CRIMPING TOOL HANDZANGENPOSITION	
5-1437720-5	0.34mm <sup>2</sup>	-	6
5-1437720-4	0.5mm <sup>2</sup>	6	-
5-1437720-5	0.25mm <sup>2</sup>	-	5
5-1437720-5	0.14mm <sup>2</sup>	-	5

ORDER QUANTITY/ BESTELLMENGE	300 PIECES/STUECK	500 PIECES/STUECK
CATALOG-NO./ KATALOG-NR.	T01-CRIMP-P03	T01-CRIMP-P05
TE CONNECTIVITY-NO./ TE CONNECTIVITY-NR.	5-1437720-4	5-1437720-5

THIS DRAWING IS A CONTROLLED DOCUMENT. DIESES ZEICHNUNGS-DOKUMENT WIRD DURCH AMP INCORPORATED KONTROLLIERT. ÄNDERUNGEN, DIE DEM TECHNISCHEN FORTSCHRITT DIENEN, SIND VORBEHALTEN. DEN JEWEILS LETZTGEUELTIGEN ÄNDERUNGSSTAND ERFAHREN SIE AUF ANFRAGE.		DWN N.GEISTER 29MAR2001	<b>STE</b> TE Connectivity	
DIMENSIONS: MASSEINHEITEN: mm		CHK H.SCHERER 29MAR2001		
TOLERANCES UNLESS OTHERWISE SPECIFIED: ALLGEMEINTOLERANZEN		APVD G.FELDMEIER 29MAR2001	NAME T01 CRIMP CONTACT MALE T01 CRIMP KONTAKT STIFT	
0 PLC ±0.127 mm 1 PLC ±0.127 mm 2 PLC ±0.127 mm 3 PLC ±0.127 mm 4 PLC ±0.127 mm ANGLES/W INKEL ±1°		PRODUCT SPEC PRODUKTSPEZ. -	RESTRICTED TO NUR FUER -	
MATERIAL -		APPLICATION SPEC VERARBEITUNGSSPEZ. -	SIZE A3	CAGE CODE 00779
FINISH/OBERFLAECHE/FARBE -		WEIGHT GEWICHT -	DRAWING NO. ZEICHNUNGS-NR. G-5-1437720-4	
		CUSTOMER DRAWING /KUNDENZEICHNUNG		SCALE MASSSTAB -
		SHEET BLATT 1 OF VON 1		REV A3