



Chipsmall Limited consists of a professional team with an average of over 10 year of expertise in the distribution of electronic components. Based in Hongkong, we have already established firm and mutual-benefit business relationships with customers from,Europe,America and south Asia,supplying obsolete and hard-to-find components to meet their specific needs.

With the principle of “Quality Parts,Customers Priority,Honest Operation,and Considerate Service”,our business mainly focus on the distribution of electronic components. Line cards we deal with include Microchip,ALPS,ROHM,Xilinx,Pulse,ON,Everlight and Freescale. Main products comprise IC,Modules,Potentiometer,IC Socket,Relay,Connector.Our parts cover such applications as commercial,industrial, and automotives areas.

We are looking forward to setting up business relationship with you and hope to provide you with the best service and solution. Let us make a better world for our industry!



Contact us

Tel: +86-755-8981 8866 Fax: +86-755-8427 6832

Email & Skype: info@chipsmall.com Web: www.chipsmall.com

Address: A1208, Overseas Decoration Building, #122 Zhenhua RD., Futian, Shenzhen, China



4

3

2

1

THIS DRAWING IS UNPUBLISHED
 VERTRAULICHE UNVERÖFFENTLICHTE ZEICHNUNG
 © COPYRIGHT 2001

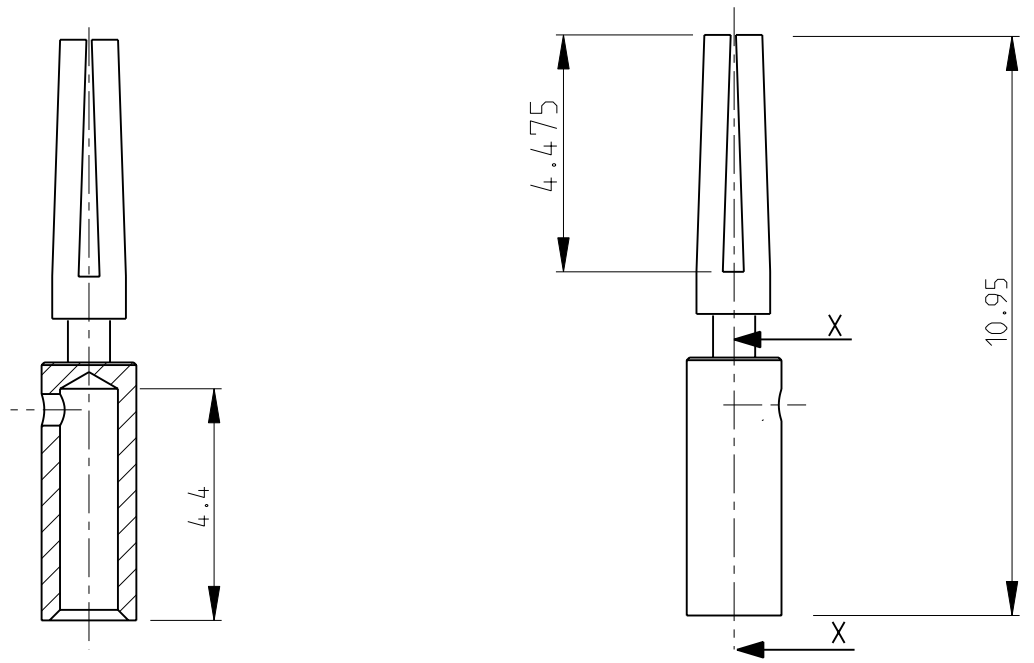
RELEASED FOR PUBLICATION
 FREI FUER VERÖFFENTLICHUNG
 24-JUL- - 2001
 ALL RIGHTS RESERVED.
 ALLE RECHTE VORBEHALTEN

LOC	DIST	REVISIONS ÄNDERUNGEN					
A1	-	P	LTR	DESCRIPTION BESCHREIBUNG	DATE	DWN	APVD
PROJEKT NR.: eqLpc01017		A3		REVISED PER ECO-11-020524	13OCT2011	KH	MS

1. MATERIAL: BRASS
 MATERIAL: MESSING


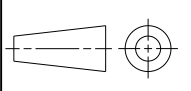
2. PLATING: TRIBOR 4 µm
 BESCHICHTUNG: TRIBOR 4 µm

3 MATING HAND-CRIMPING-TOOL SEE PN 601966-1
 USED WITH POSITIONER PN 1579003-1
 PASSENDE HANDZANGE SIEHE PN 601966-1
 IN VERBINDUNG MIT POSITIONIERER PN 1579003-1



SECTION X-X

	CONNECTING CROSS-SECTION ANSCHLUSSQUERSCHNITT	SET-NO. ON HAND-CRIMPING TOOL HANDZANGENPOSITION	
5-1437720-7	0.34mm ²	-	6
5-1437720-6	0.5mm ²	6	-
5-1437720-7	0.25mm ²	-	5
5-1437720-7	0.14mm ²	-	5
ORDER QUANTITY/ BESTELLMENGE		300 PIECES/STUECK	500 PIECES/STUECK
CATALOG-NO./ KATALOG-NR.		T01-CRIMP-S03	T01-CRIMP-S05
TE CONNECTIVITY-NO./ TE CONNECTIVITY-NR.		5-1437720-6	5-1437720-7

THIS DRAWING IS A CONTROLLED DOCUMENT. DIESES ZEICHNUNGSOKUMENT WIRD DURCH AMP INCORPORATED KONTROLLIERT. ÄNDERUNGEN, DIE DEM TECHNISCHEN FORTSCHRITT DIENEN, SIND VORBEHALTEN. DEN JEWELNS LETZTGEÜLTIGEN ÄNDERUNGSSTAND ERFAHREN SIE AUF ANFRAGE.		DWN N.GEISTER 02APR2001	 TE Connectivity	
DIMENSIONS: MASSEINHEITEN: mm		CHK H.SCHERER 02APR2001		
TOLERANCES UNLESS OTHERWISE SPECIFIED: ALLGEMEINTOLERANZEN		APVD G.FELDMEIER 02APR2001	NAME T01 CRIMP CONTACT FEMALE T01 CRIMP KONTAKT BUCHSE	
		PRODUCT SPEC PRODUKTSPEZ.	RESTRICTED TO NUR FUER	
MATERIAL		APPLICATION SPEC VERARBEITUNGSSPEZ.	SIZE A3	CAGE CODE 00779
FINISH/OBERFLÄCHE/FARBE		WEIGHT GEWICHT	DRAWING NO. ZEICHNUNGS-NR. G-5-1437720-6	SCALE MASSSTAB
		CUSTOMER DRAWING	/KUNDENZEICHNUNG	SHEET BLATT 1 OF VON 1
				REV A3