



Chipsmall Limited consists of a professional team with an average of over 10 year of expertise in the distribution of electronic components. Based in Hongkong, we have already established firm and mutual-benefit business relationships with customers from,Europe,America and south Asia,supplying obsolete and hard-to-find components to meet their specific needs.

With the principle of "Quality Parts,Customers Priority,Honest Operation,and Considerate Service",our business mainly focus on the distribution of electronic components. Line cards we deal with include Microchip,ALPS,ROHM,Xilinx,Pulse,ON,Everlight and Freescale. Main products comprise IC,Modules,Potentiometer,IC Socket,Relay,Connector.Our parts cover such applications as commercial,industrial, and automotives areas.

We are looking forward to setting up business relationship with you and hope to provide you with the best service and solution. Let us make a better world for our industry!



Contact us

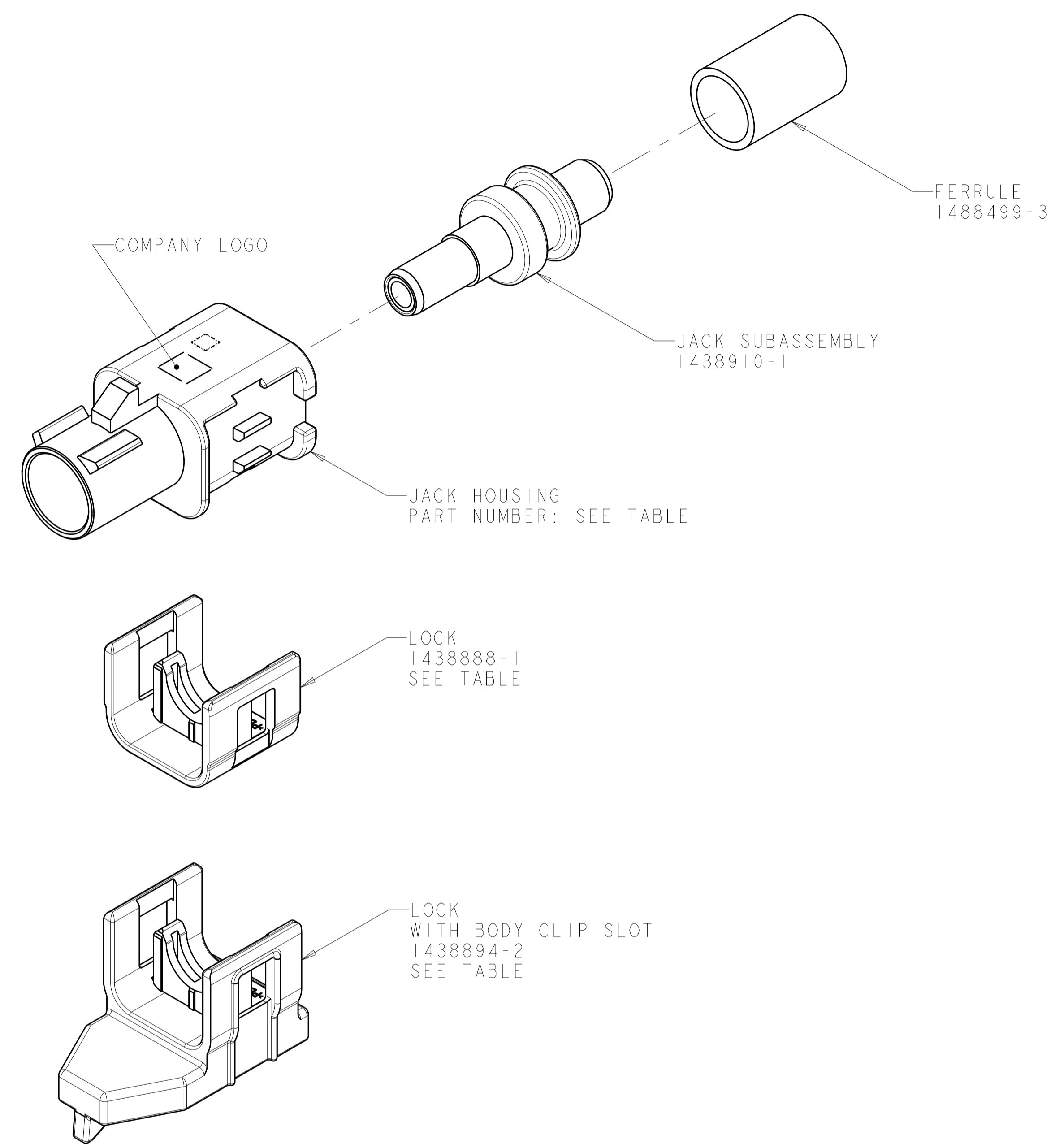
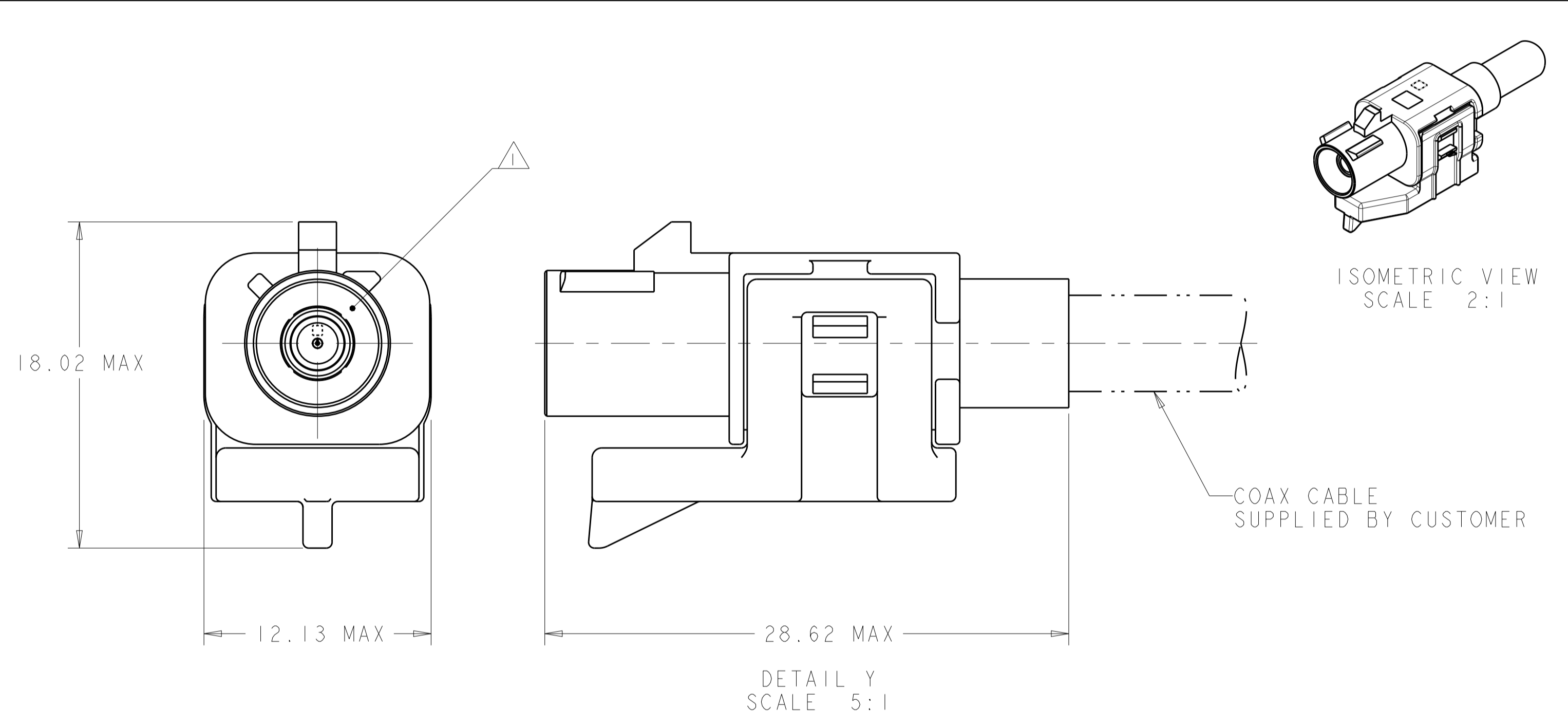
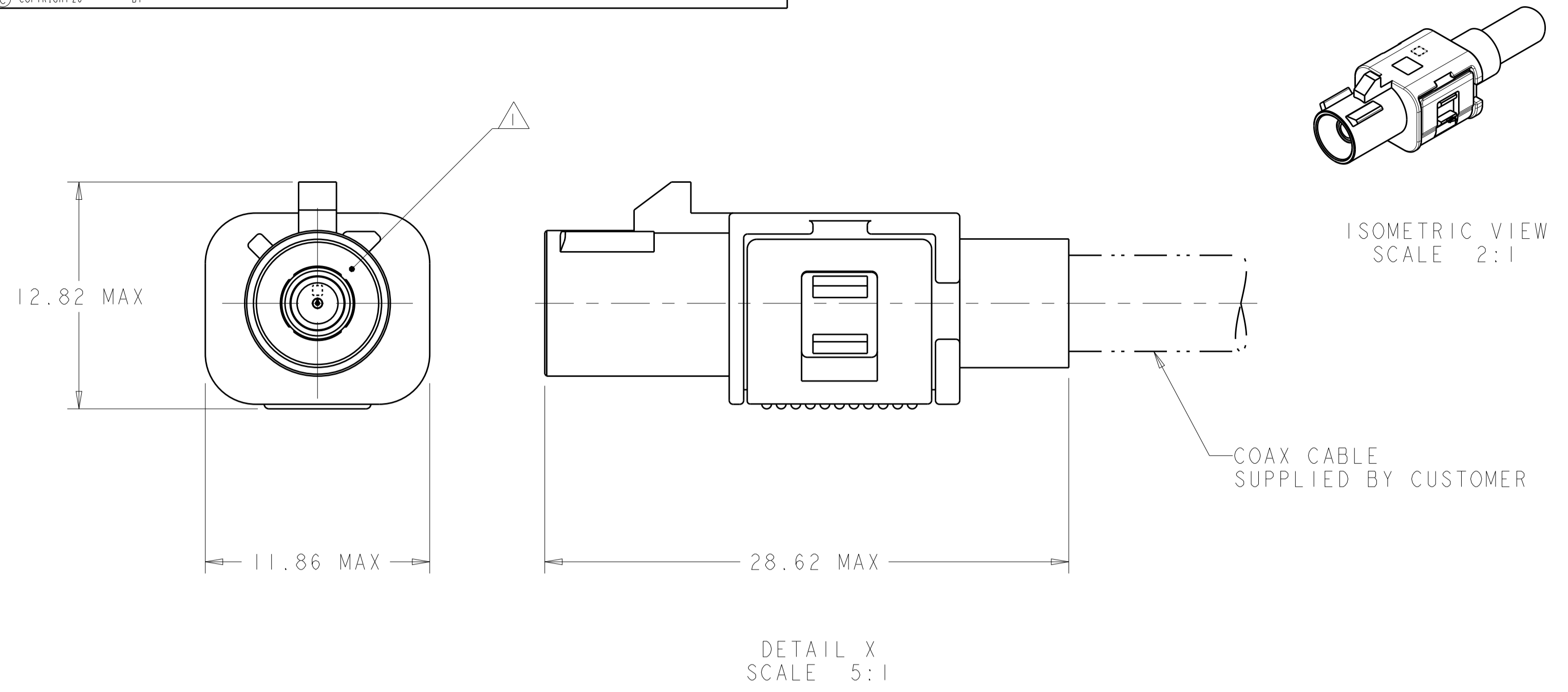
Tel: +86-755-8981 8866 Fax: +86-755-8427 6832

Email & Skype: info@chipsmall.com Web: www.chipsmall.com

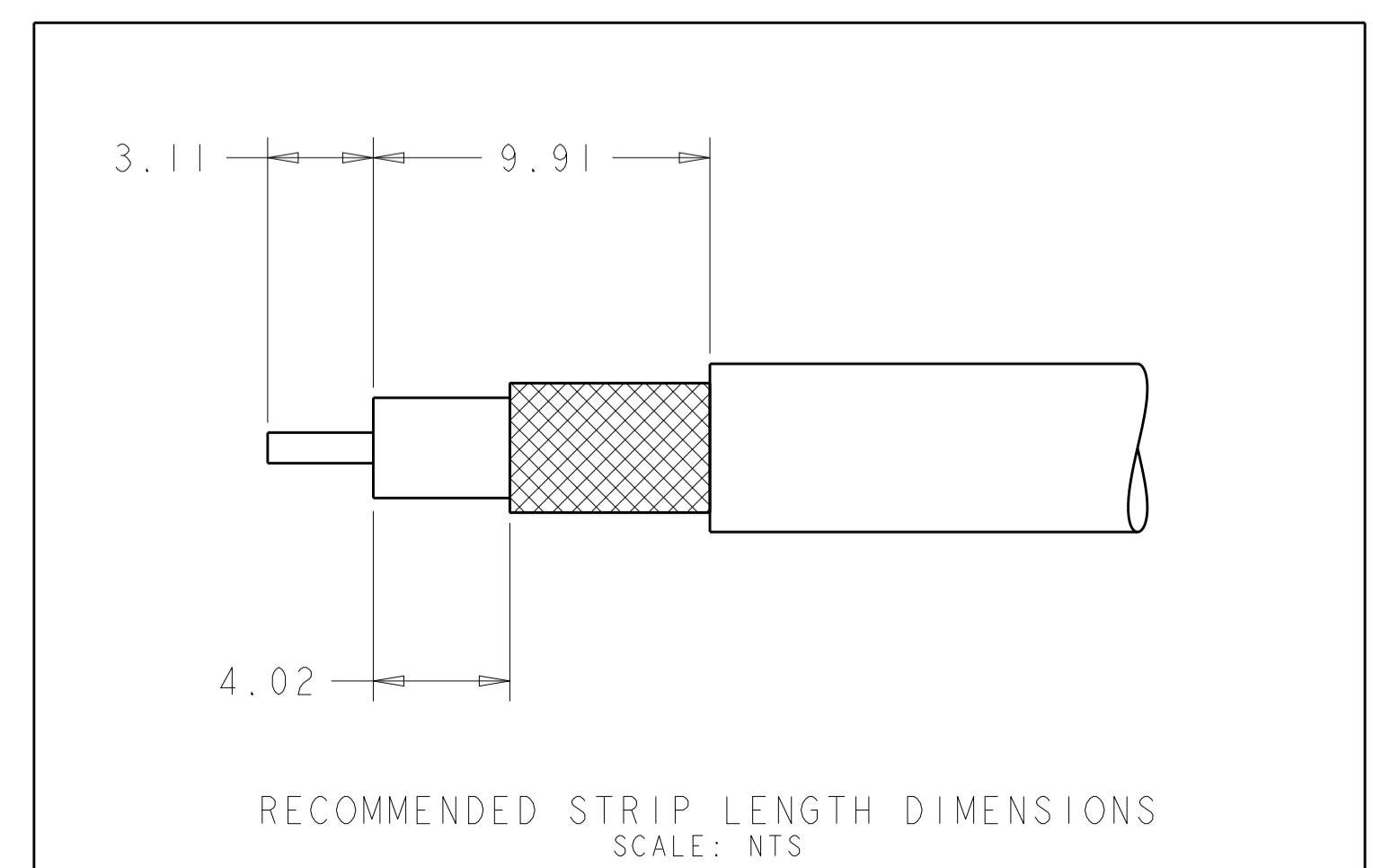
Address: A1208, Overseas Decoration Building, #122 Zhenhua RD., Futian, Shenzhen, China



REVISIONS				
P.	LTN.	DESCRIPTION	DATE	OWN. APVD.
F2	ECO-14-009247		18JUN2014	KP LLY



- △ JACK INTERFACE PER DIN 72594-1, ROAD VEHICLES - RADIO FREQUENCY INTERFACE - DIMENSIONS AND ELECTRICAL REQUIREMENTS.
- JACK SUBASSEMBLY WILL ACCEPT MI7/28-RG58 COAXIAL CABLE PER MIL-C-17 AND LOW LOSS RG58 TYPE ANDREW CORPORATION PART NUMBER 910046A000. ALSO, ACCEPTS MINI 59 TYPE CABLE.
 - SEE INSTRUCTION SHEET 408-10028.
 - PIN CONTACT 1438890-7 MUST BE PURCHASED SEPARATELY FOR USE WITH RG58 AND RG58LL CABLE. PIN CONTACT 1438890-8 MUST BE PURCHASED SEPARATELY FOR USE WITH MINI 59 CABLE.



PER DETAIL Y	PER DETAIL K	K	GRAY	1438894-2	CURRY	1-1438887-0	6-1438911-0
PER DETAIL Y	PER DETAIL H	H	GRAY	1438894-2	HEATHER VIOLET	1438887-8	5-1438911-8
PER DETAIL Y	PER DETAIL G	G	GRAY	1438894-2	BLUE GRAY	1438887-7	5-1438911-7
PER DETAIL Y	PER DETAIL F	F	GRAY	1438894-2	NUT BROWN	1438887-6	5-1438911-6
PER DETAIL Y	PER DETAIL E	E	GRAY	1438894-2	LEAF GREEN	1438887-5	5-1438911-5
PER DETAIL Y	PER DETAIL D	D	GRAY	1438894-2	CLARET VIOLET	1438887-4	5-1438911-4
PER DETAIL Y	PER DETAIL C	C	GRAY	1438894-2	SIGNAL BLUE	1438887-3	5-1438911-3
PER DETAIL Y	PER DETAIL B	B	GRAY	1438894-2	SIGNAL WHITE	1438887-2	5-1438911-2
PER DETAIL Y	PER DETAIL A	A	GRAY	1438894-2	JET BLACK	1438887-1	5-1438911-1
PER DETAIL X	PER DETAIL K	K	RED	1438888-1	CURRY	1-1438887-0	1-1438911-0
PER DETAIL X	PER DETAIL H	H	RED	1438888-1	HEATHER VIOLET	1438887-8	1438911-8
PER DETAIL X	PER DETAIL G	G	RED	1438888-1	BLUE GRAY	1438887-7	1438911-7
PER DETAIL X	PER DETAIL F	F	RED	1438888-1	NUT BROWN	1438887-6	1438911-6
PER DETAIL X	PER DETAIL E	E	RED	1438888-1	LEAF GREEN	1438887-5	1438911-5
PER DETAIL X	PER DETAIL D	D	RED	1438888-1	CLARET VIOLET	1438887-4	1438911-4
PER DETAIL X	PER DETAIL C	C	RED	1438888-1	SIGNAL BLUE	1438887-3	1438911-3
PER DETAIL X	PER DETAIL B	B	RED	1438888-1	SIGNAL WHITE	1438887-2	1438911-2
PER DETAIL X	PER DETAIL A	A	RED	1438888-1	JET BLACK	1438887-1	1438911-1
ASSEMBLY	KEYING	CODING	LOCK COLOR	LOCK PART NUMBER	HOUSING COLOR	JACK HOUSING PART NUMBER	PART NUMBER

THIS DRAWING IS A CONTROLLED DOCUMENT.

DIMENSIONS: mm

TOLERANCES UNLESS OTHERWISE SPECIFIED:

0 PLC ±

1 PLC ±0.25

2 PLC ±

3 PLC ±

4 PLC ±

ANGLES ±

FINISH

MATERIAL

DATE: 03JAN2005

CHK: D.J. HARDY

DATE: 26JAN2005

APVD: J.W. HALL

DATE: 26JAN2006

NAME: JACK KIT, UNASSEMBLED, 1 POSITION, MINI 59, RG-58 OR RG-58 LL, FAKRA, SMB

PRODUCT SPEC

APPLICATION SPEC

114-13157

WEIGHT

A1

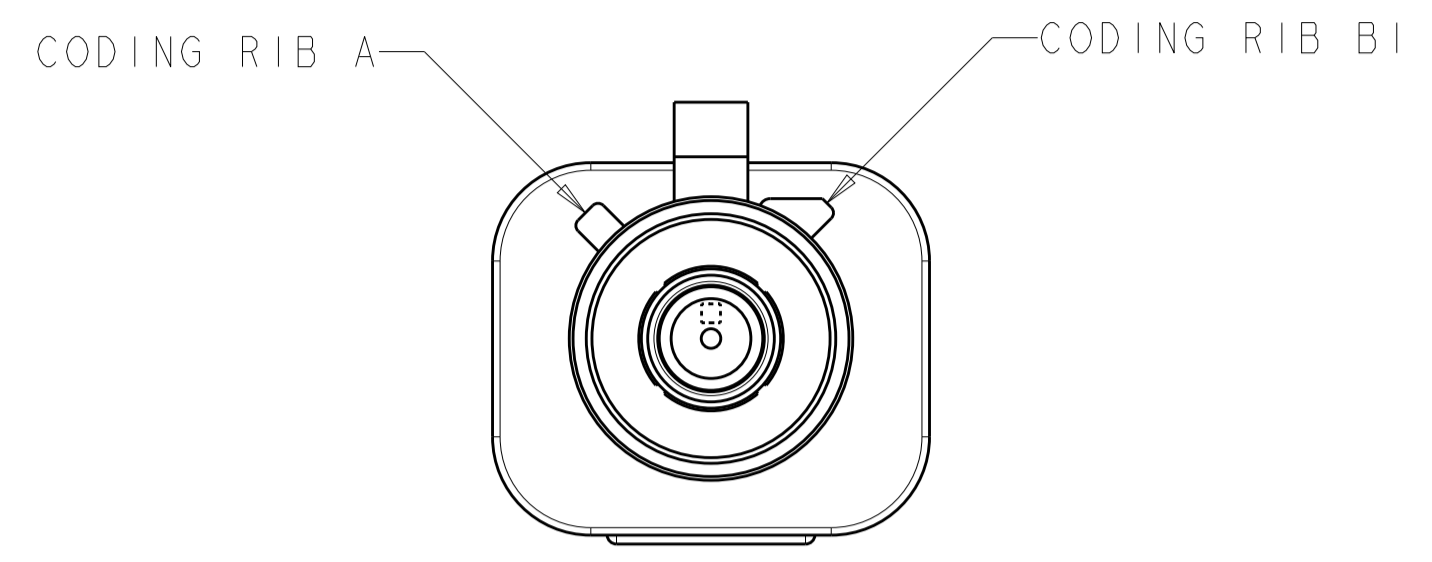
CAGE CODE DRAWING NO: 1438911

RESTRICTED TO

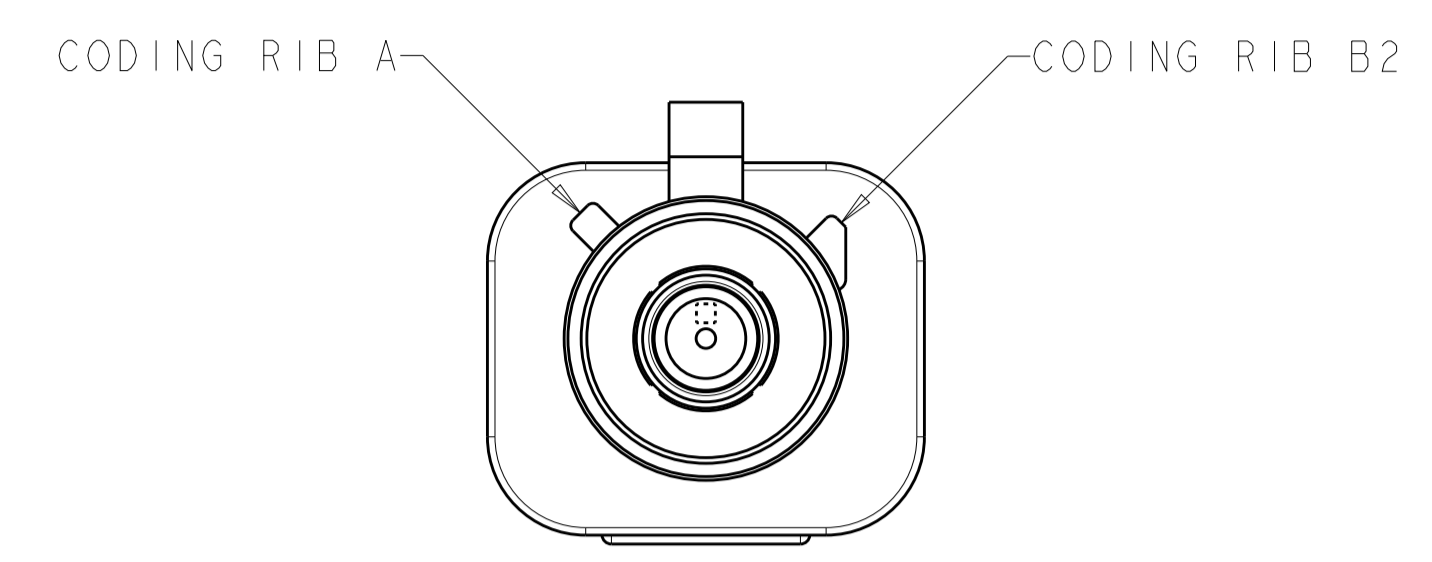
CUSTOMER DRAWING

SCALE: 4:1 SHEET 1 OF 2 REV F2

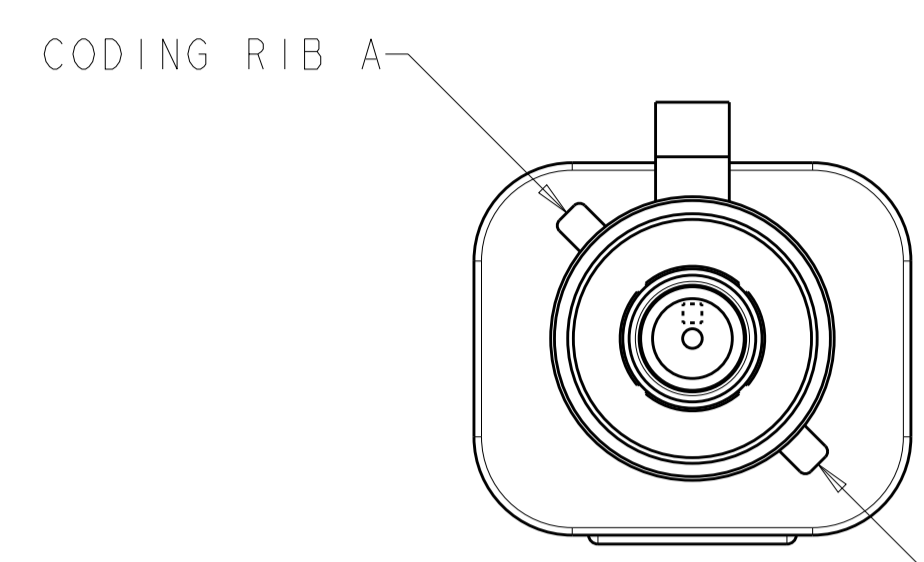
REVISIONS				
P.	LTN	DESCRIPTION	DATE	APVD
-	-	SEE SHEET 1	-	-



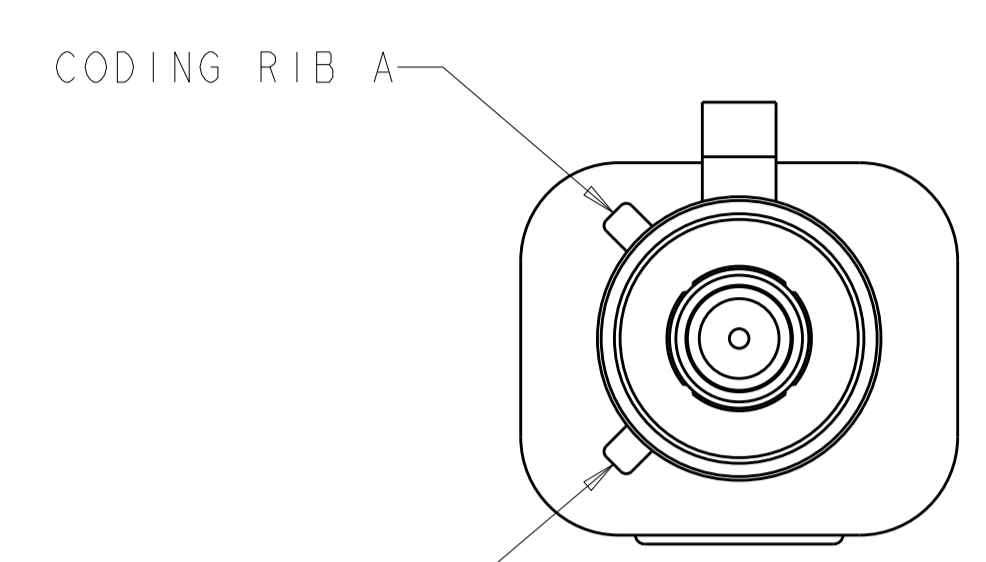
DETAIL A
SCALE 5:1



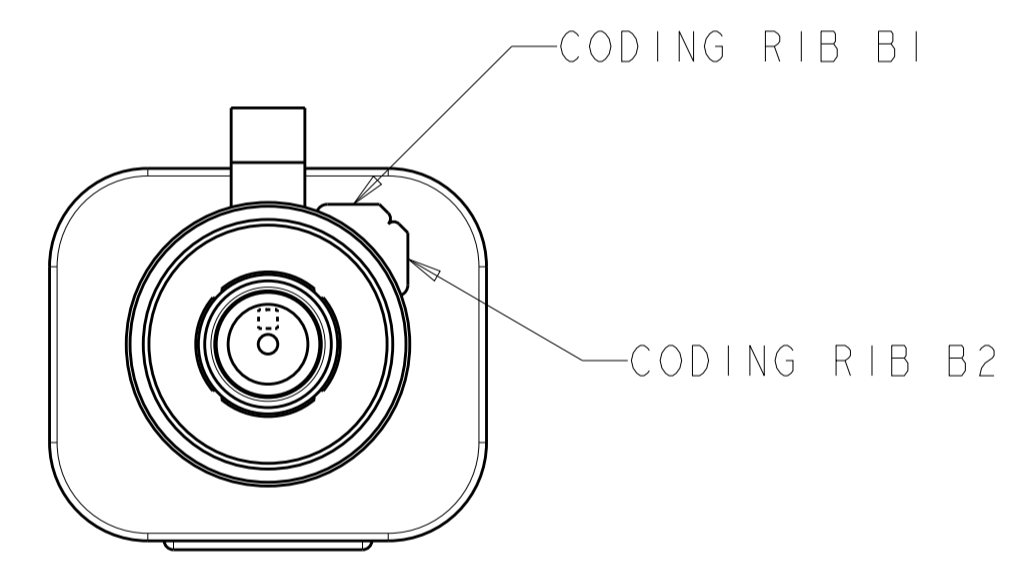
DETAIL B
SCALE 5:1



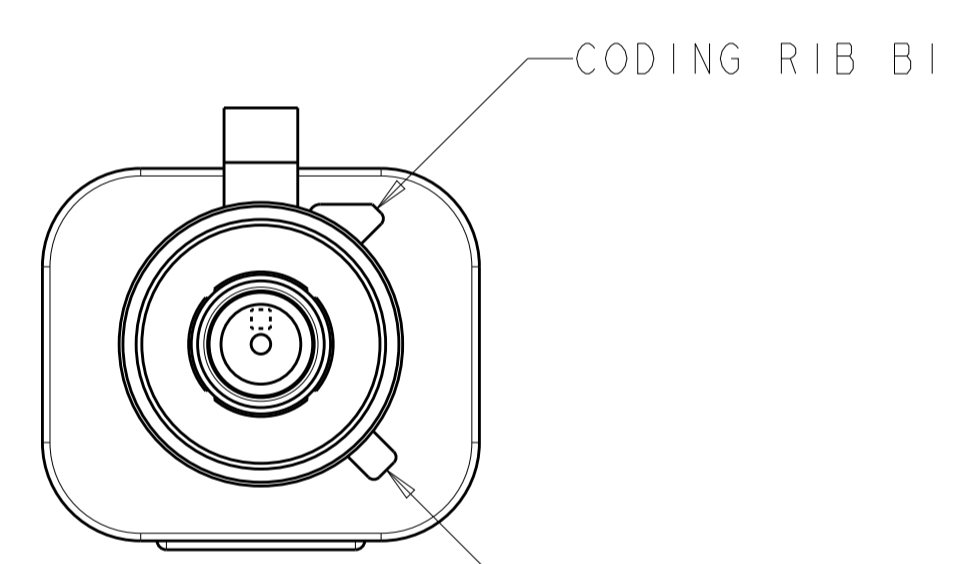
DETAIL C
SCALE 5:1



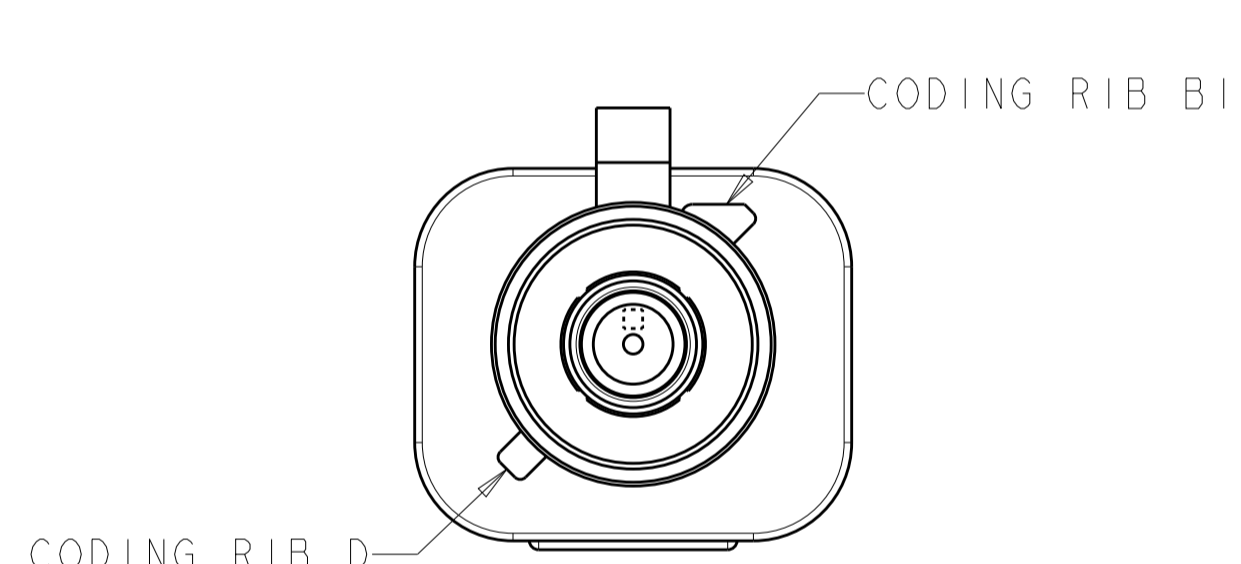
DETAIL D
SCALE 5:1



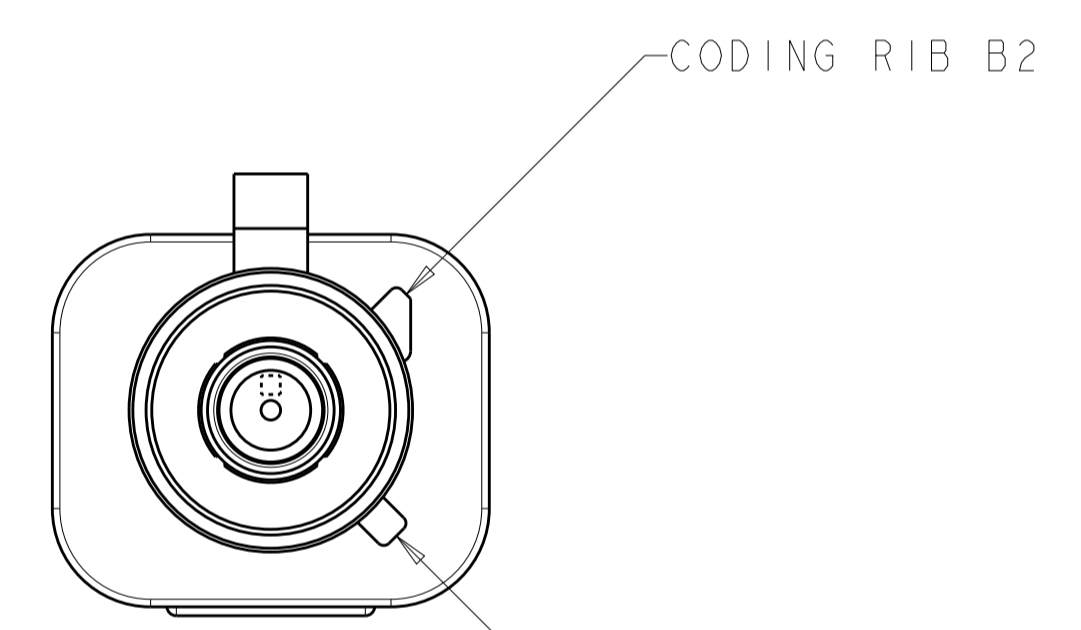
DETAIL E
SCALE 5:1



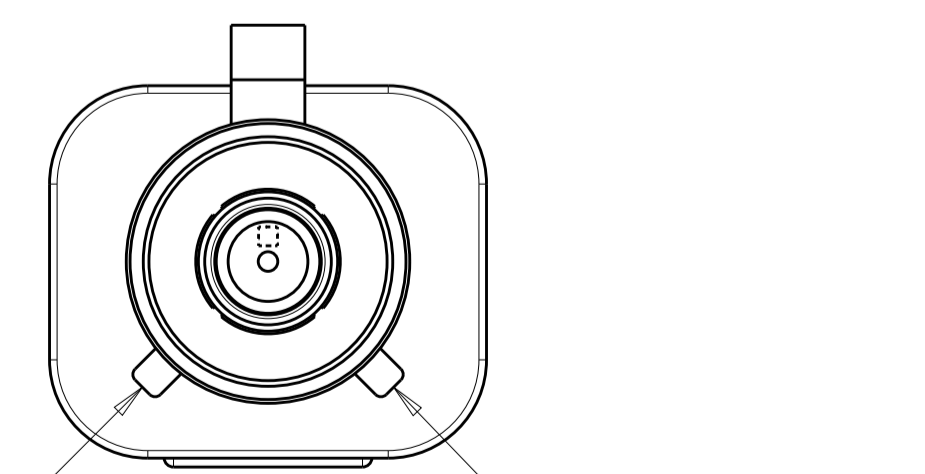
DETAIL F
SCALE 5:1



DETAIL G
SCALE 5:1



DETAIL H
SCALE 5:1



DETAIL K
SCALE 5:1

THIS DRAWING IS A CONTROLLED DOCUMENT.		OWN: D.J. HARDY 03JAN2005	TE Connectivity
DIMENSIONS: mm		CHK: J.W. HALL 26JAN2005	
TOLERANCES UNLESS OTHERWISE SPECIFIED:		APVD: J.W. HALL 26JAN2006	NAME: JACK KIT, UNASSEMBLED, 1 POSITION, MINI 59, RG-58 OR RG-58 LL, FAKRA, SMB
0 PLC ±	1 PLC ±0.25	PRODUCT SPEC	SIZE: A1
2 PLC ±	3 PLC ±	APPLICATION SPEC	CAGE CODE: C=1438911
4 PLC ±	ANGLES ±	114-13157	RESTRICTED TO
MATERIAL: -	FINISH: -	WEIGHT: -	SCALE: 4:1
CUSTOMER DRAWING		SCALE: 4:1	SHEET 2 OF 2 REV F2