



Chipsmall Limited consists of a professional team with an average of over 10 year of expertise in the distribution of electronic components. Based in Hongkong, we have already established firm and mutual-benefit business relationships with customers from,Europe,America and south Asia,supplying obsolete and hard-to-find components to meet their specific needs.

With the principle of “Quality Parts,Customers Priority,Honest Operation,and Considerate Service”,our business mainly focus on the distribution of electronic components. Line cards we deal with include Microchip,ALPS,ROHM,Xilinx,Pulse,ON,Everlight and Freescale. Main products comprise IC,Modules,Potentiometer,IC Socket,Relay,Connector.Our parts cover such applications as commercial,industrial, and automotives areas.

We are looking forward to setting up business relationship with you and hope to provide you with the best service and solution. Let us make a better world for our industry!



## Contact us

Tel: +86-755-8981 8866 Fax: +86-755-8427 6832

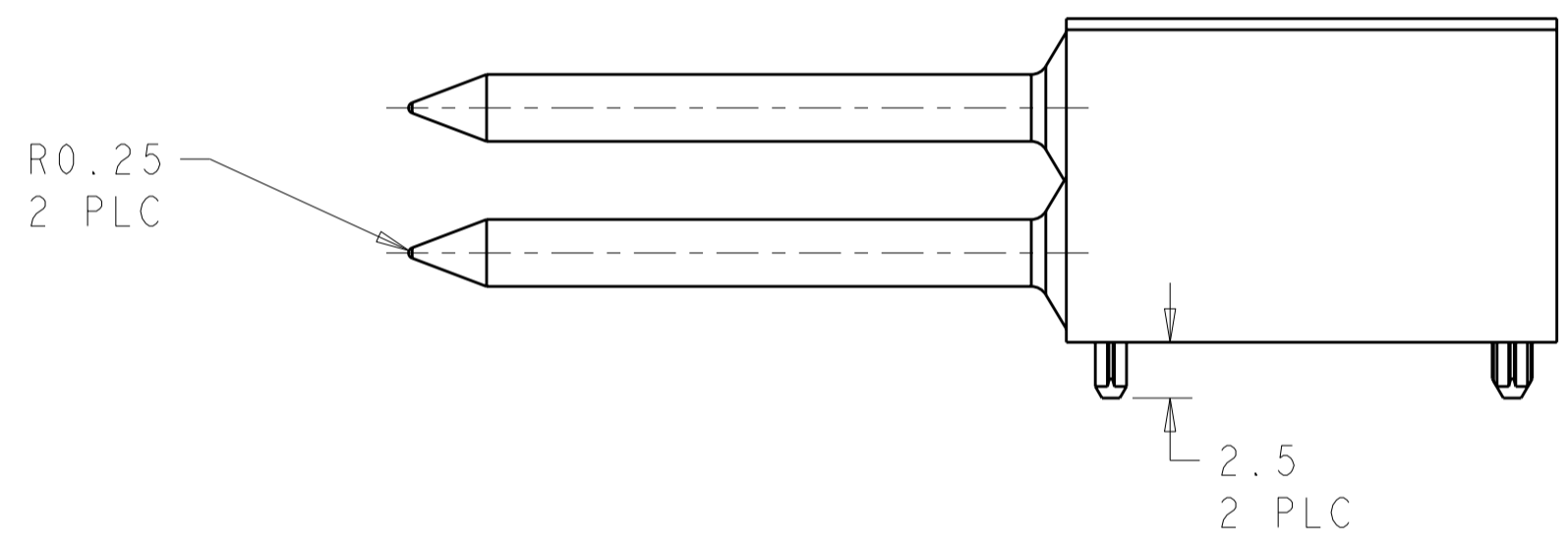
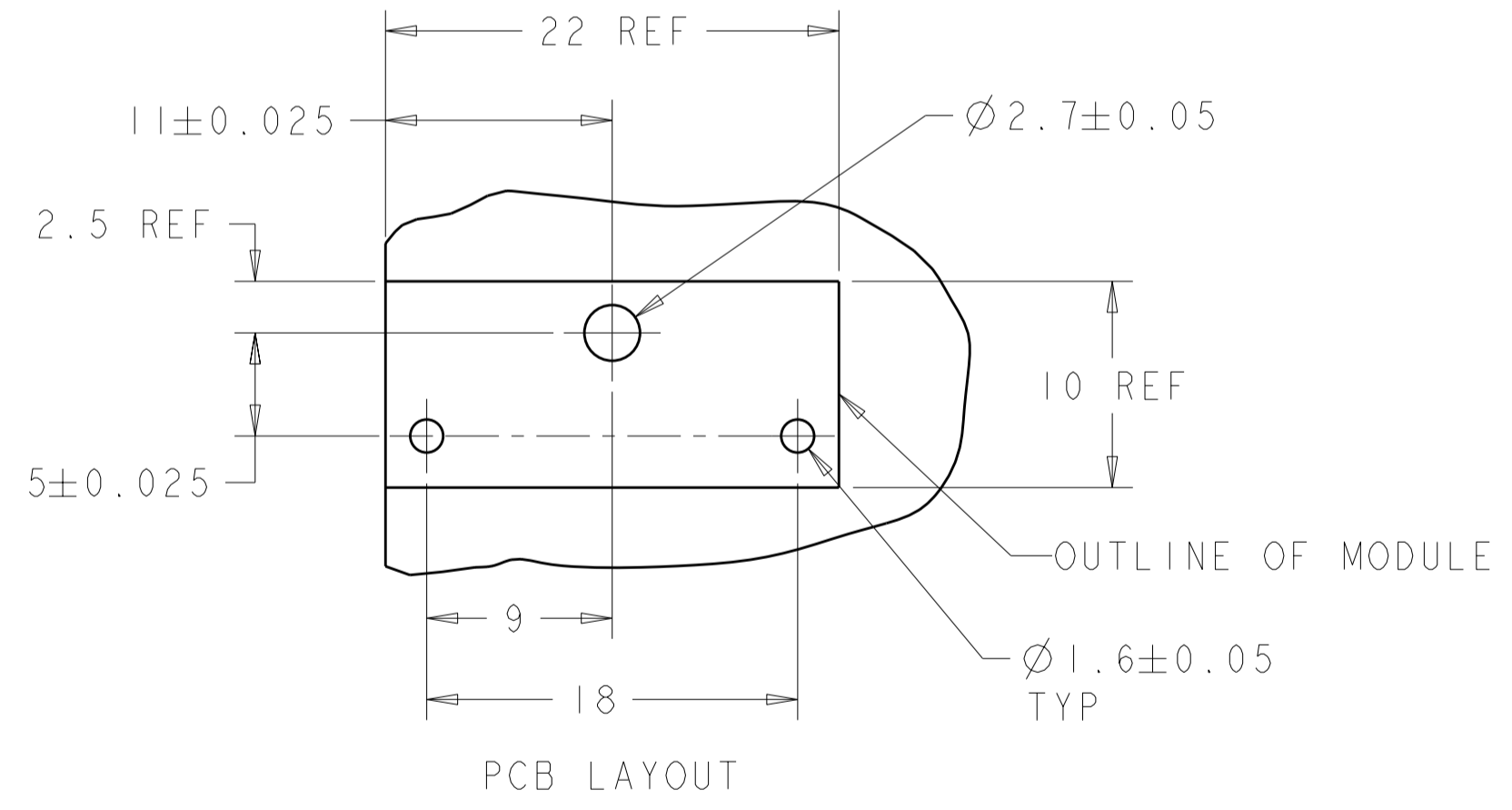
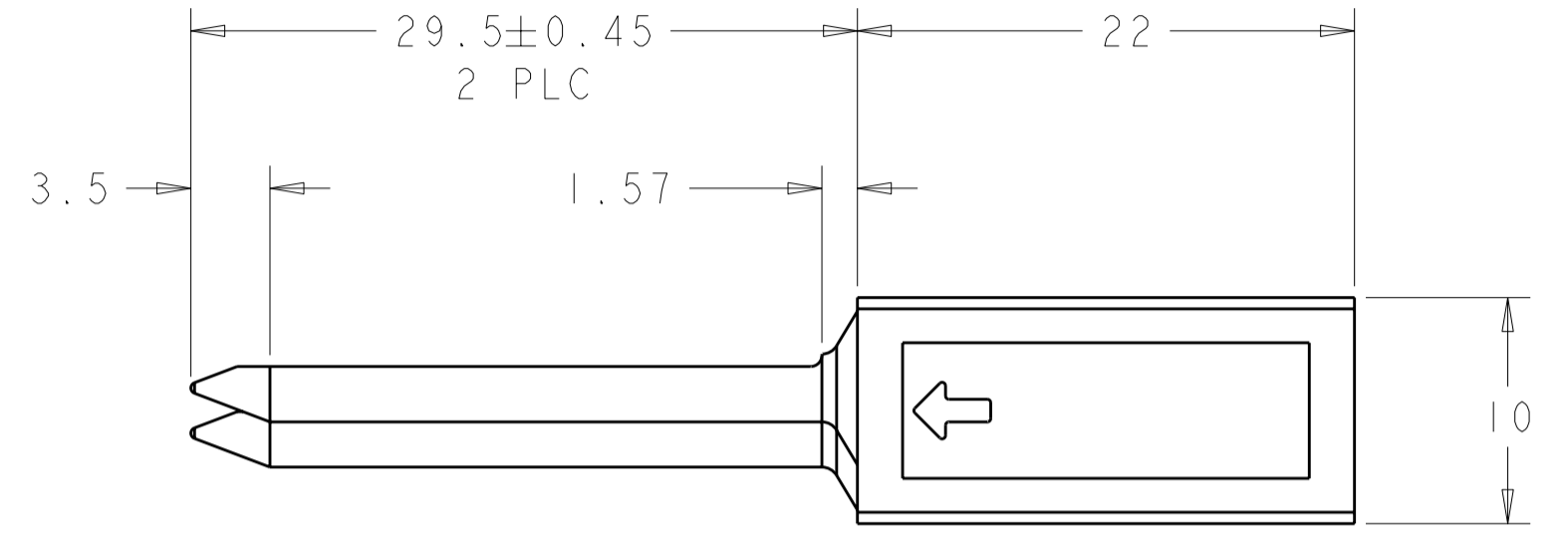
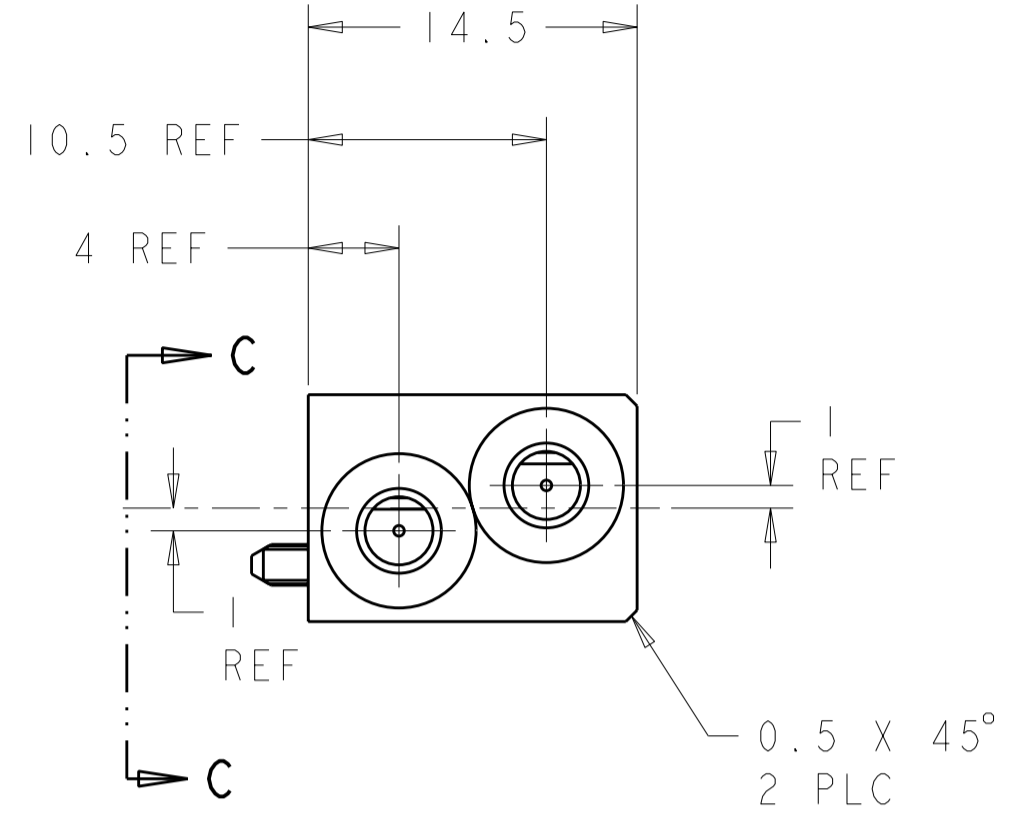
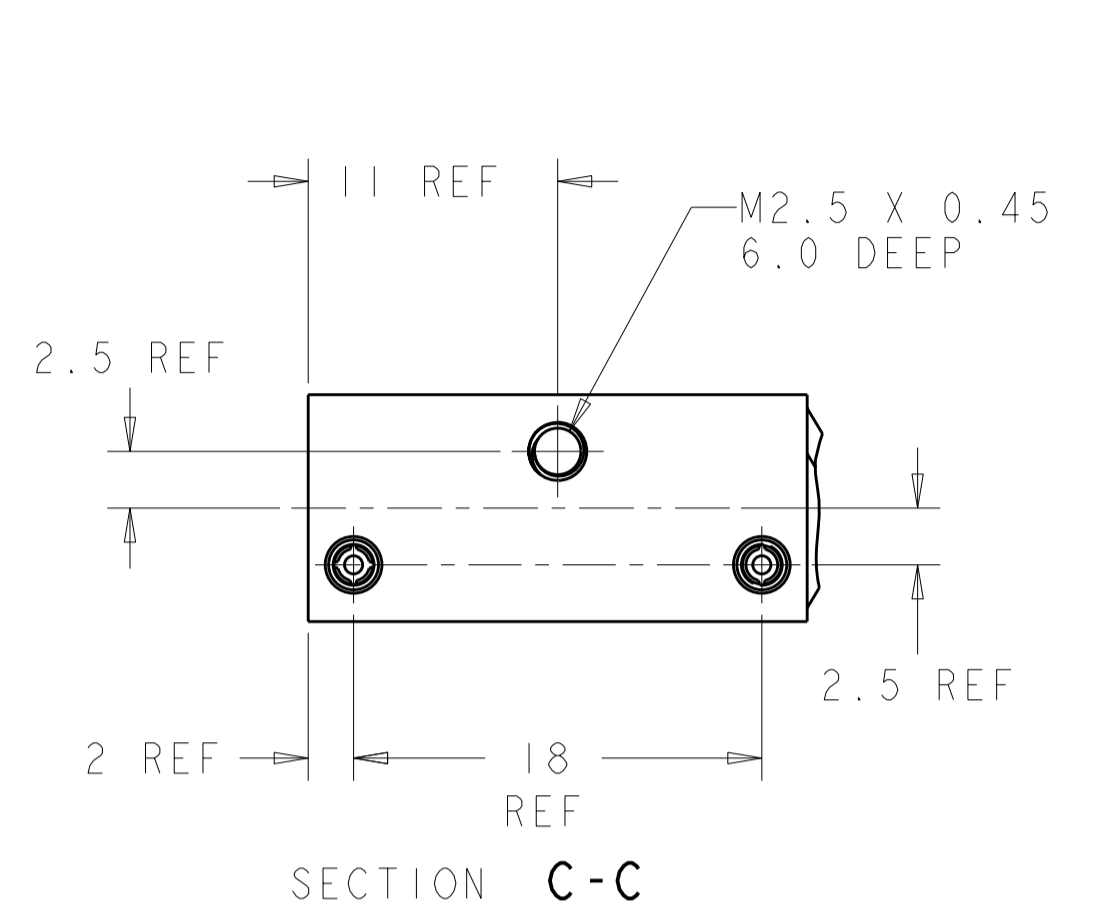
Email & Skype: info@chipsmall.com Web: www.chipsmall.com

Address: A1208, Overseas Decoration Building, #122 Zhenhua RD., Futian, Shenzhen, China



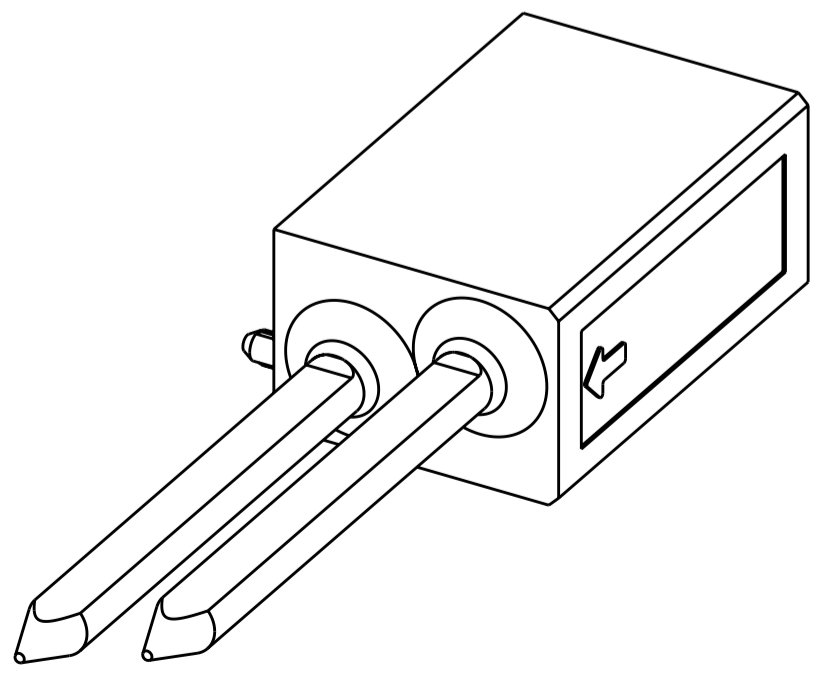
THIS DRAWING IS UNPUBLISHED. RELEASED FOR PUBLICATION 20  
 © COPYRIGHT 20 ALL RIGHTS RESERVED.

REVISIONS				DATE	DWN	APVD
P	LTR	DESCRIPTION				
	D1	REVISED PER ECO-11-005027	23MAY2011	RK	HMR	



- RECOMMENDED MOUNTING HARDWARE - M2.5 X 0.45 SCREW, 7.0MM LONG UP TO 2.9 MM THICK PCB, 8.0MM LONG FOR 3.0 TO 4.0 MM THICK PCB, 10.0MM FOR 4.1 TO 6.0MM THICK PCB, 12.0MM FOR 6.1 TO 8.0MM THICK PCB. (HARDWARE NOT SUPPLIED WITH PART NUMBER)
- ENHANCED VERSION AVAILABLE FOR NEB'S DROP TEST. REFERENCE DRAWING 1469957.

225°	315°	6 8	6-1469372-8
180°	180°	5 5	5-1469372-5
135°	45°	4 2	4-1469372-2
90°	270°	3 7	3-1469372-7
0°	0°	1 1	1-1469372-1
"A"	"B"	KEYING POS	PART NUMBER

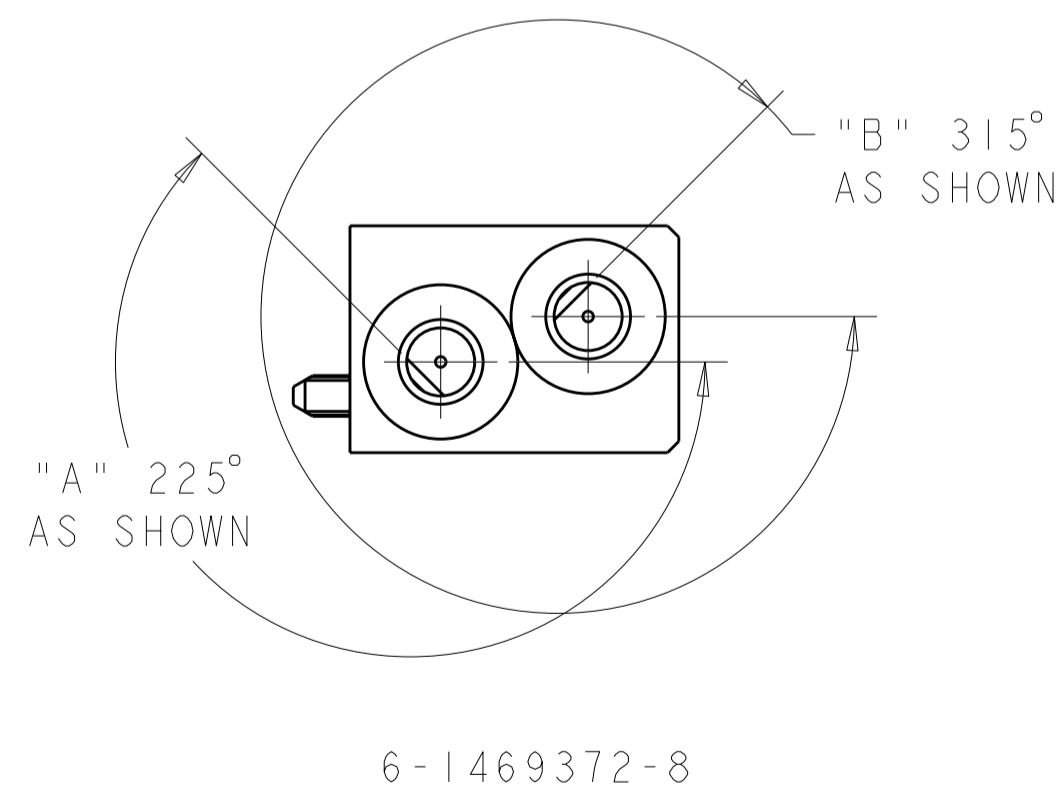
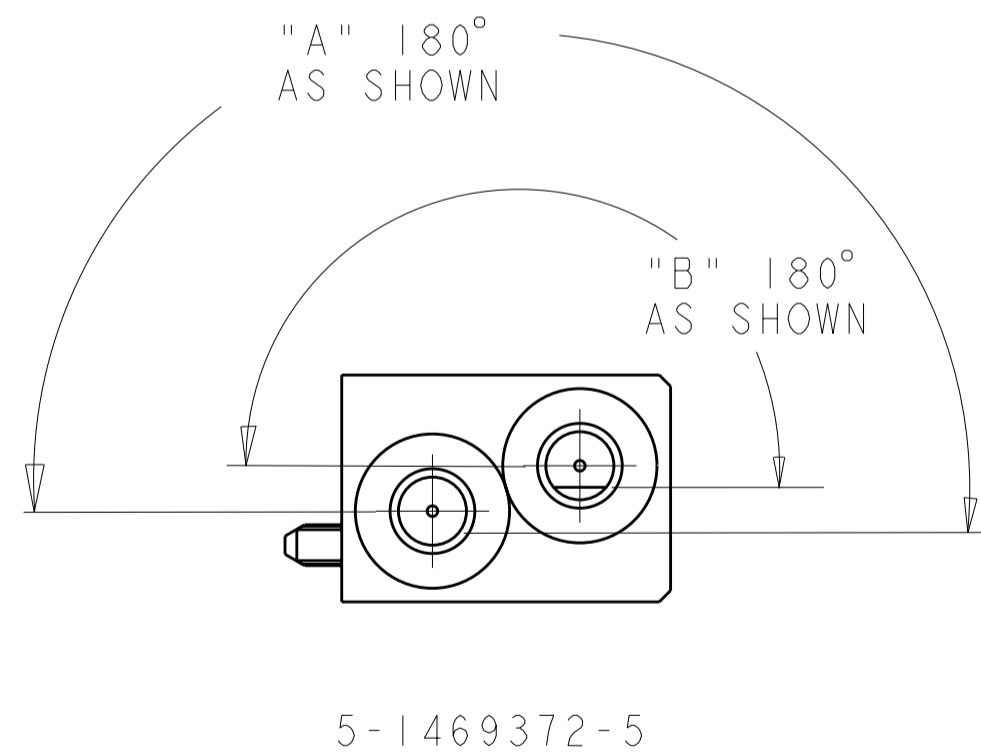
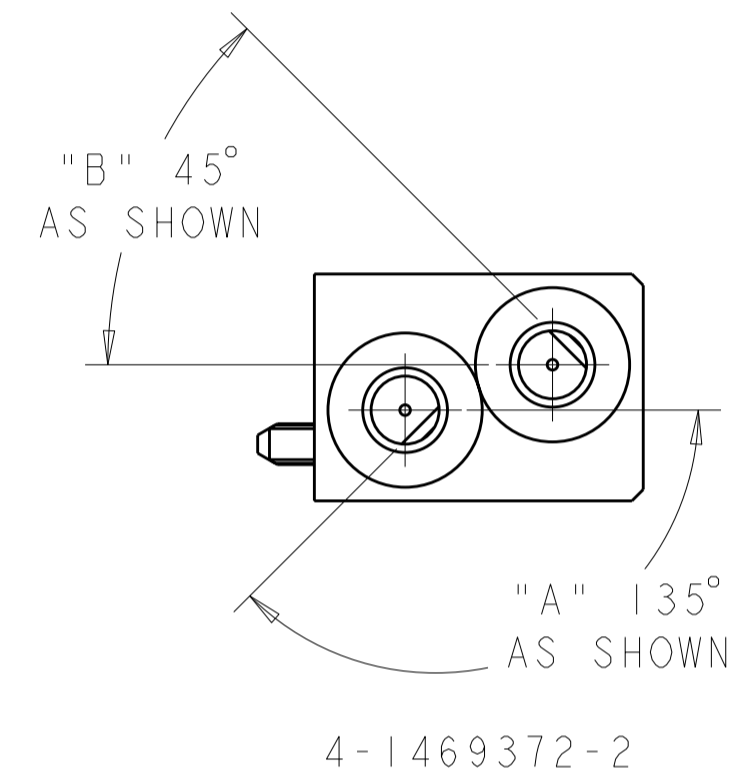
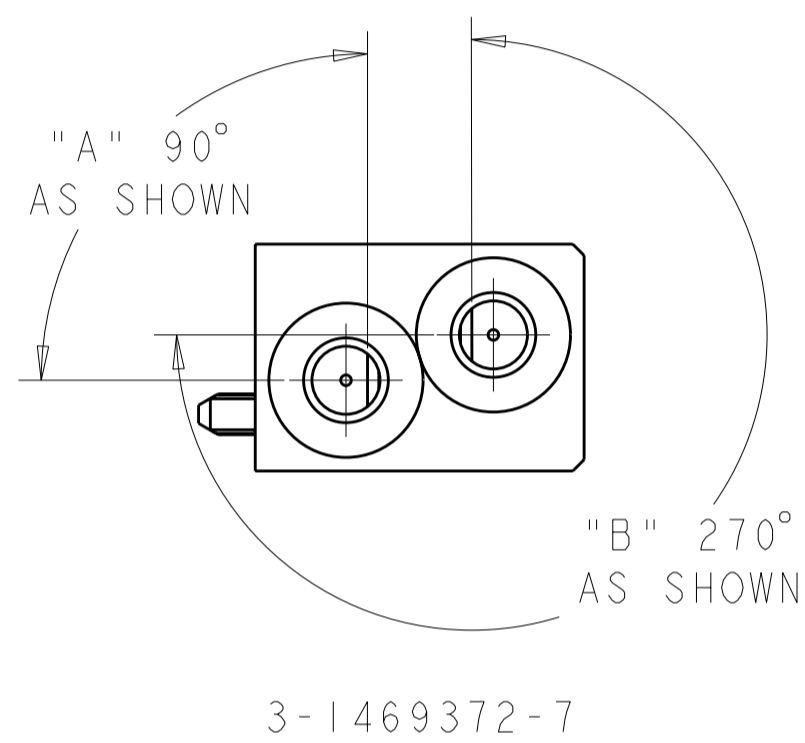
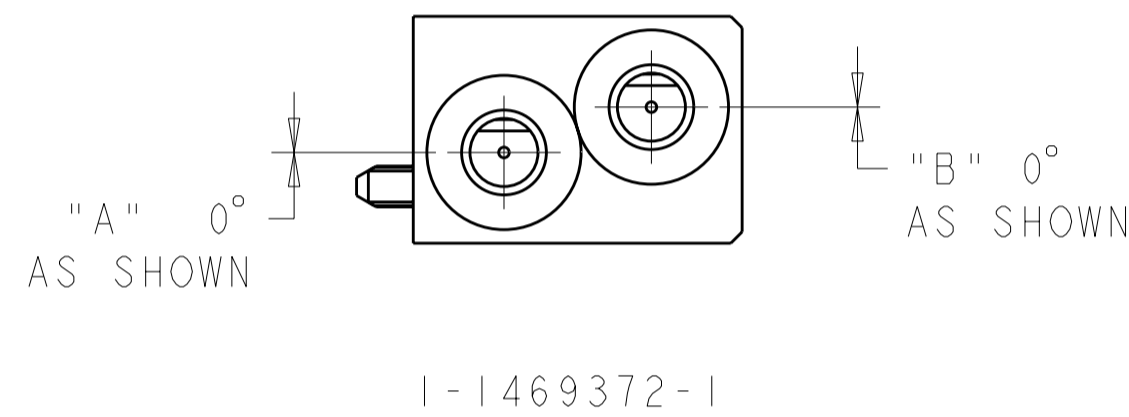


THIS DRAWING IS A CONTROLLED DOCUMENT.

DWN: D. SZCZESNY 17DEC02	TE Connectivity
CHK: R. PATTERSON 14SEP04	
APVD: R. PATTERSON 14SEP04	
DIMENSIONS: mm	NAME: ATCA GUIDE MODULE (REAR TRANSITION MODULE - A2)
TOLERANCES UNLESS OTHERWISE SPECIFIED:	SIZE: A200779
0 PLC ±0.2	CAGE CODE: C-1469372
1 PLC ±0.2	DRAWING NO: 1469372
2 PLC ±0.13	RESTRICTED TO: -
3 PLC ±0.005	SCALE: 3:1
4 PLC ±0.0200	SHEET: 1 OF 2
ANGLES ±0.5	REV: D1
FINISH: NICKEL	
MATERIAL: ZAMAK 3	
WEIGHT: -	
CUSTOMER DRAWING	

THIS DRAWING IS UNPUBLISHED. RELEASED FOR PUBLICATION 20  
 © COPYRIGHT 20 ALL RIGHTS RESERVED.

LOC	DIST	REVISIONS			
P	LTR	DESCRIPTION	DATE	DWN	APVD
AD	00	-	SEE SHEET 1	-	-



THIS DRAWING IS A CONTROLLED DOCUMENT.		DWN D. SZCZESNY 17DEC02	TE Connectivity	
DIMENSIONS: mm		CHK R. PATERSON 14SEP04		
TOLERANCES UNLESS OTHERWISE SPECIFIED:		APVD R. PATERSON 14SEP04	NAME ATCA GUIDE MODULE (REAR TRANSITION MODULE - A2)	
0 PLC ±0.2 1 PLC ±0.2 2 PLC ±0.13 3 PLC ±0.005 4 PLC ±0.0200 ANGLES ±0.5 FINISH		PRODUCT SPEC -	SIZE A200779	
MATERIAL ZAMAK 3		APPLICATION SPEC -	DRAWING NO C-1469372	
NICKEL		WEIGHT -	RESTRICTED TO -	
CUSTOMER DRAWING		SCALE 3:1		SHEET 2 OF 2 REV D1