



Chipsmall Limited consists of a professional team with an average of over 10 year of expertise in the distribution of electronic components. Based in Hongkong, we have already established firm and mutual-benefit business relationships with customers from,Europe,America and south Asia,supplying obsolete and hard-to-find components to meet their specific needs.

With the principle of “Quality Parts,Customers Priority,Honest Operation,and Considerate Service”,our business mainly focus on the distribution of electronic components. Line cards we deal with include Microchip,ALPS,ROHM,Xilinx,Pulse,ON,Everlight and Freescale. Main products comprise IC,Modules,Potentiometer,IC Socket,Relay,Connector.Our parts cover such applications as commercial,industrial, and automotives areas.

We are looking forward to setting up business relationship with you and hope to provide you with the best service and solution. Let us make a better world for our industry!



Contact us

Tel: +86-755-8981 8866 Fax: +86-755-8427 6832

Email & Skype: info@chipsmall.com Web: www.chipsmall.com

Address: A1208, Overseas Decoration Building, #122 Zhenhua RD., Futian, Shenzhen, China



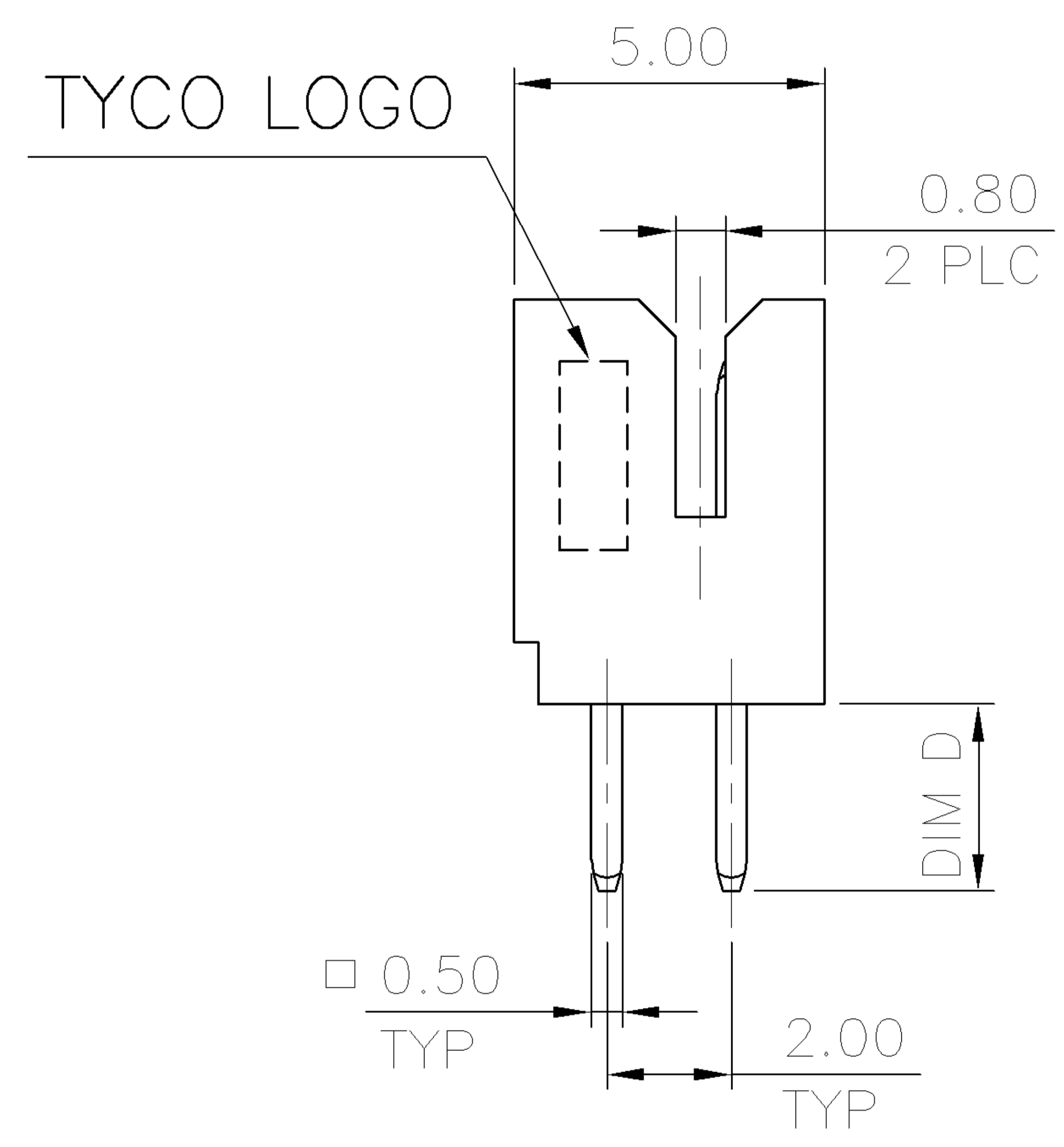
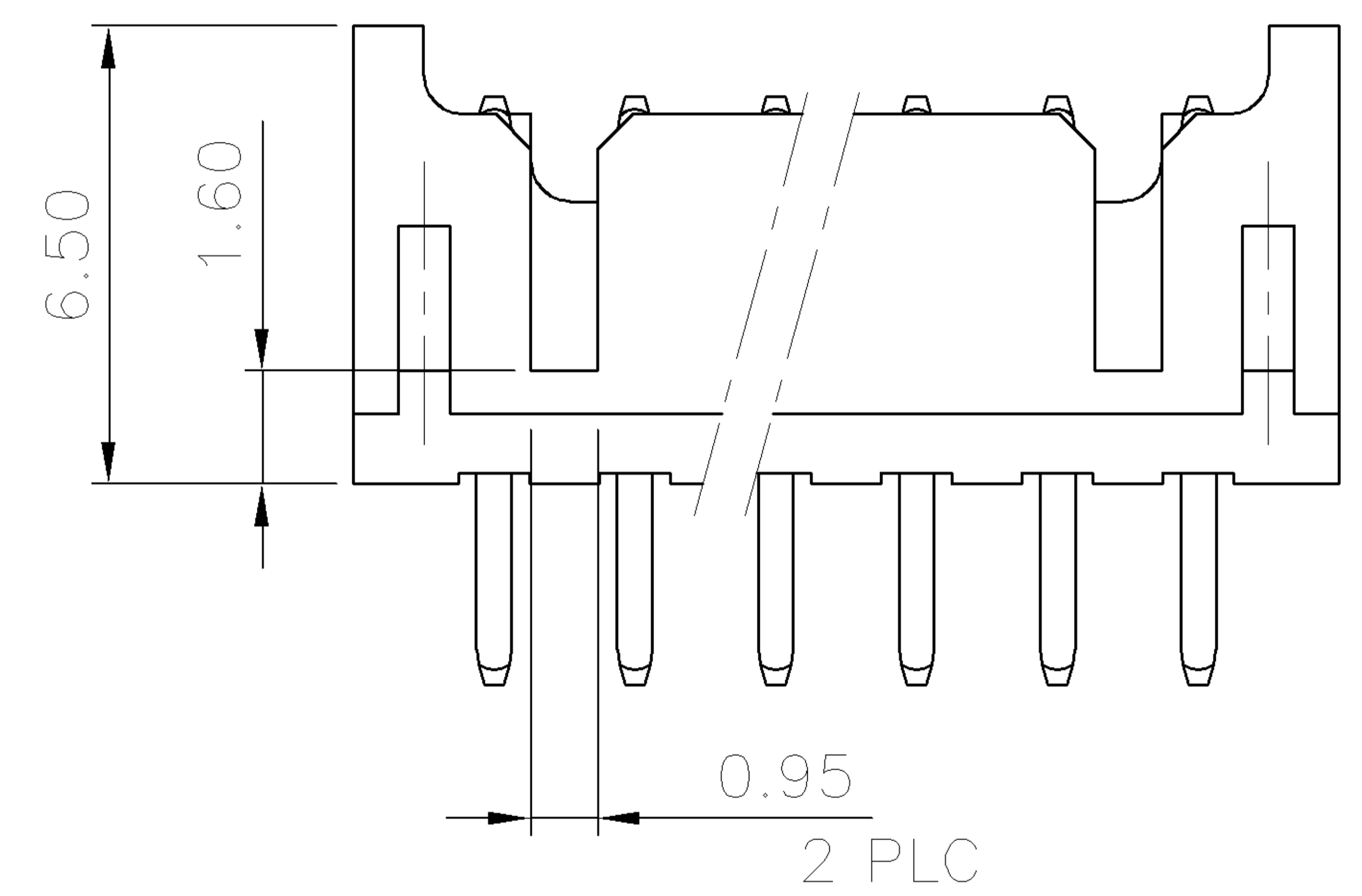
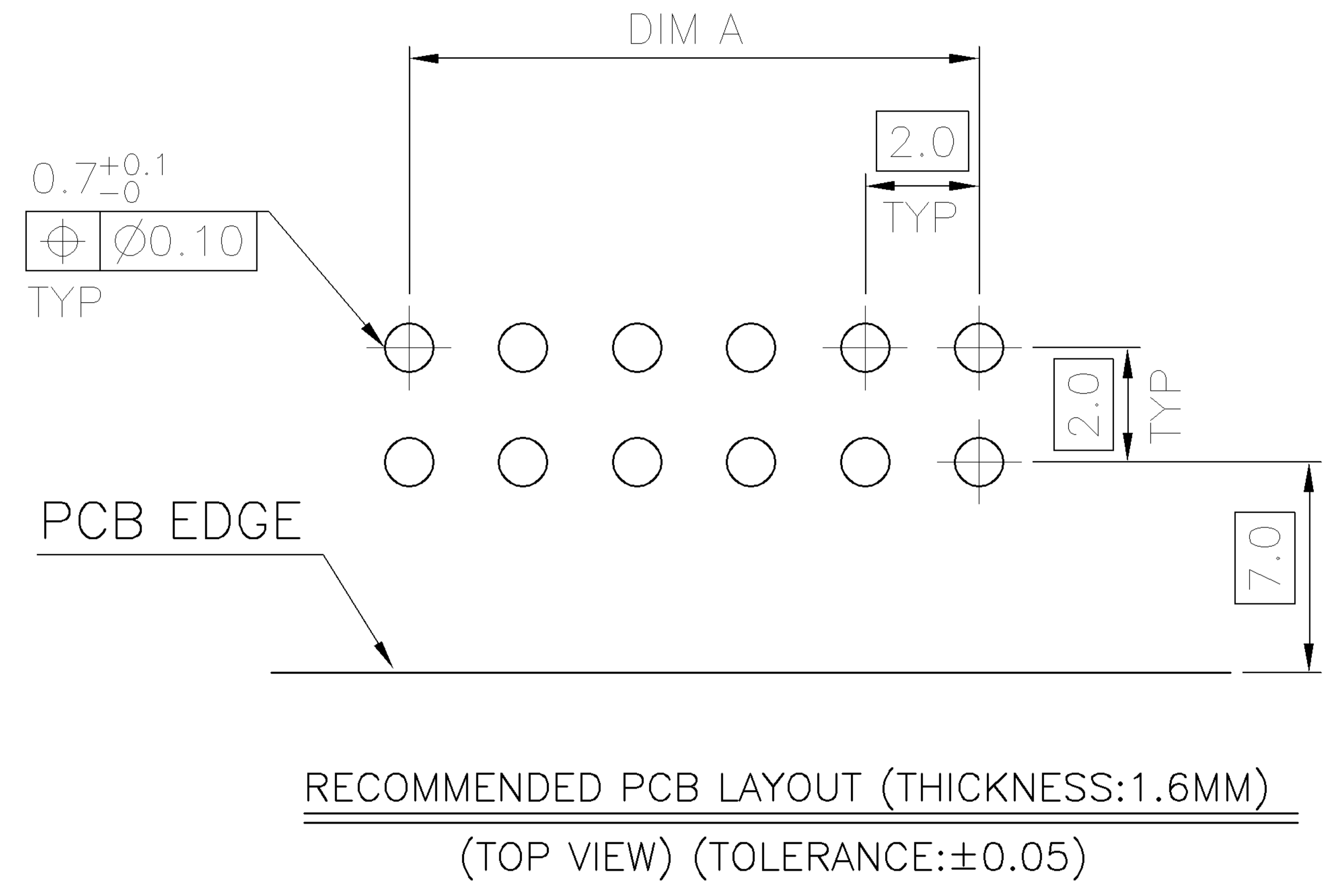
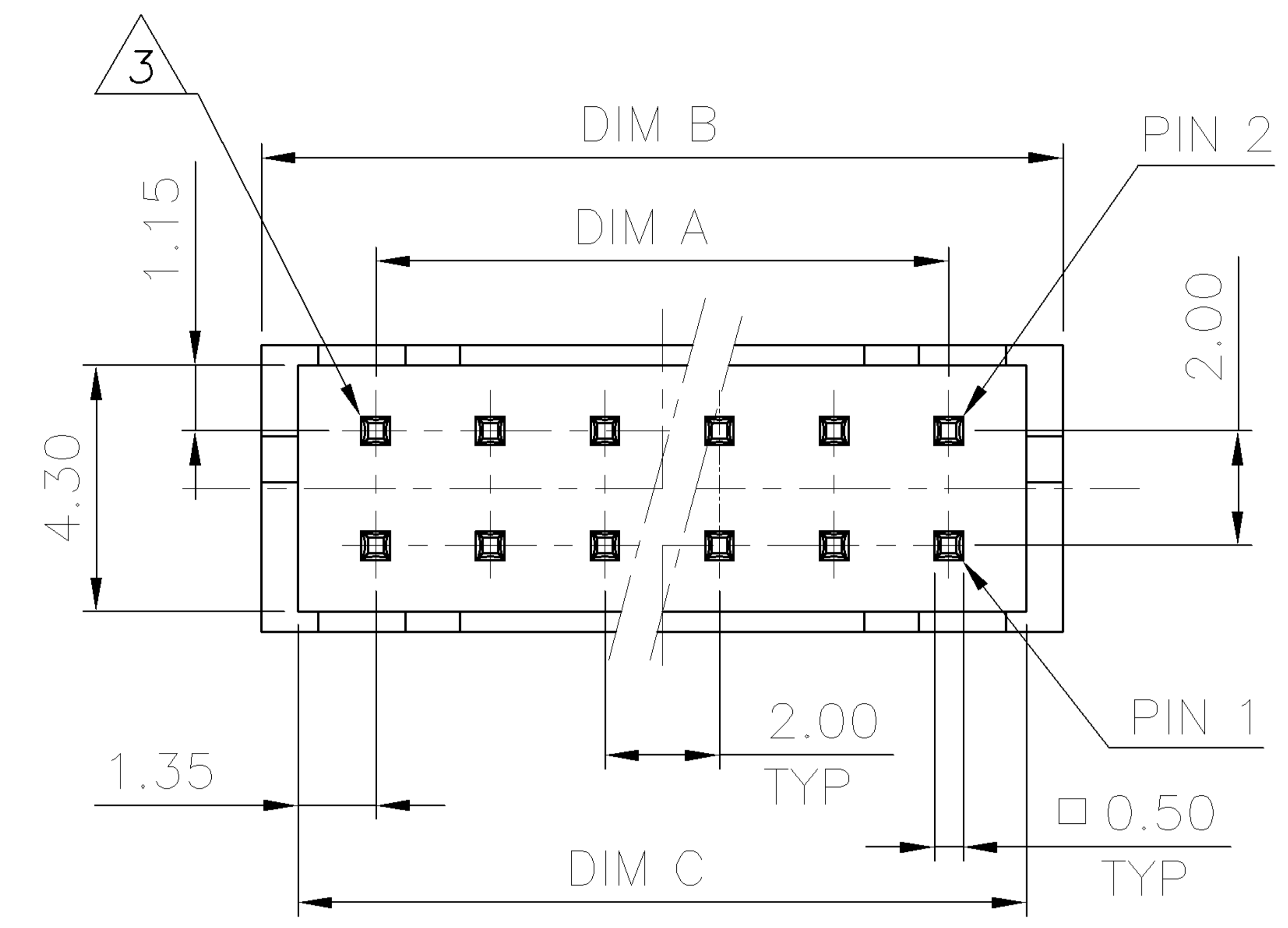
NUMBER C-1734493

3RD ANGLE PROJECTION

METRIC

DIMENSIONS IN MILLIMETERS. DO NOT SCALE PRINT.

PRINT DIST DW



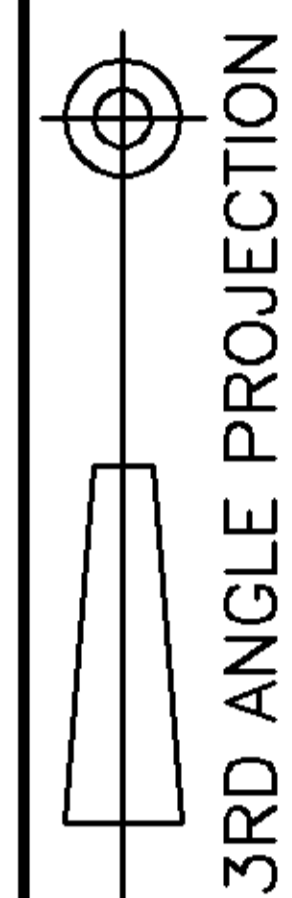
- NOTE:
- MATERIAL:
HOUSING: NYLON66 UL94V-0, NATURAL COLOR.
CONTACT: BRASS, THICKNESS=0.20MM.
 - FINISH:
CONTACT: 100u" MIN. BRIGHT TIN PLATED ON CONTACT AREA,
30u" MIN. NICKEL UNDERPLATED OVER ALL.
 - NO PIN AT THIS POSITION.
 - WAVE SOLDER CAPABLE TO 240°C PER TE CONNECTIVITY TEST SPEC. 109-201, CONDITION A.

DIM D	3 OMITTED PIN	DIM C	DIM B	DIM A	POS.	PART NUMBER
3.00	PIN 3 & 4	6.74	8.0	4.0	6	9-1470109-6
2.40		30.74	32.0	28.0	30	8-1470109-0
2.40	PIN 32	32.74	34.0	30.0	32	7-1470109-2
	PIN 30	30.74	32.0	28.0	30	7-1470109-0
	PIN 28	28.74	30.0	26.0	28	6-1470109-8
	PIN 26	26.74	28.0	24.0	26	6-1470109-6
	PIN 24	24.74	26.0	22.0	24	6-1470109-4
	PIN 22	22.74	24.0	20.0	22	6-1470109-2
	PIN 20	20.74	22.0	18.0	20	6-1470109-0
	PIN 18	18.74	20.0	16.0	18	5-1470109-8
	PIN 16	16.74	18.0	14.0	16	5-1470109-6
	PIN 14	14.74	16.0	12.0	14	5-1470109-4
	PIN 12	12.74	14.0	10.0	12	5-1470109-2
PIN 10	10.74	12.0	8.0	10	5-1470109-0	
PIN 8	8.74	10.0	6.0	8	4-1470109-8	
PIN 6	6.74	8.0	4.0	6	4-1470109-6	
3.00		32.74	34.0	30.0	32	3-1470109-2
		30.74	32.0	28.0	30	3-1470109-0
		28.74	30.0	26.0	28	2-1470109-8
		26.74	28.0	24.0	26	2-1470109-6
		24.74	26.0	22.0	24	2-1470109-4
		22.74	24.0	20.0	22	2-1470109-2
		20.74	22.0	18.0	20	2-1470109-0
		18.74	20.0	16.0	18	1-1470109-8
		16.74	18.0	14.0	16	1-1470109-6
		14.74	16.0	12.0	14	1-1470109-4
		12.74	14.0	10.0	12	1-1470109-2
	10.74	12.0	8.0	10	1-1470109-0	
	8.74	10.0	6.0	8	1470109-8	
	6.74	8.0	4.0	6	1470109-6	

TOLERANCES UNLESS OTHERWISE SPECIFIED: 0 PLC ± 1 PLC ±0.30 2 PLC ±0.20 3 PLC ±0.10 ANGLES ±3'	DWN O. HU 27-JUN-2007	TE Connectivity NAME 2.0MM PITCH HEADER, DIP, VERTICAL TYPE	
	CHK S. HOU 27-JUN-2007		
MATERIAL SEE NOTE	APVD W.J. KE 27-JUN-2007	PRODUCT SPEC 108-57217 QUALIFICATION TEST REPORT 501-57218 WEIGHT	
FINISH SEE NOTE			
E1	REVISED PER ECO-11-005301	RK HMR 07APR11	LOC SIZE DRAWING NO REV DW A3 C-1470109 E1
LTR	REVISION RECORD ECO	DWN CHK DATE	SCALE SHEET -- 1 OF 2

E1	REVISED PER ECO-11-005301	RK HMR	07APR11	
LTR	REVISION RECORD ECO	DWN CHK	DATE	

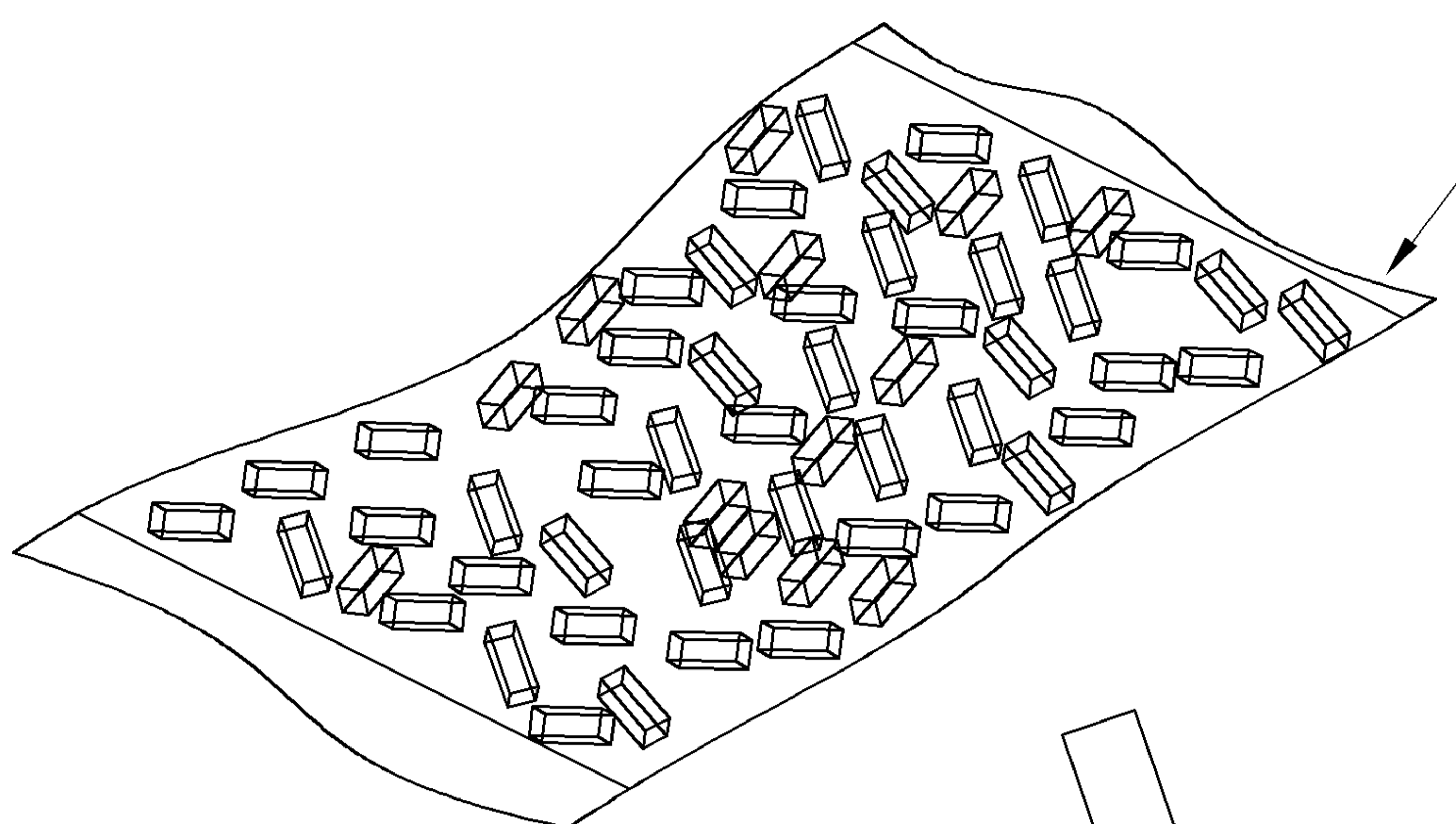
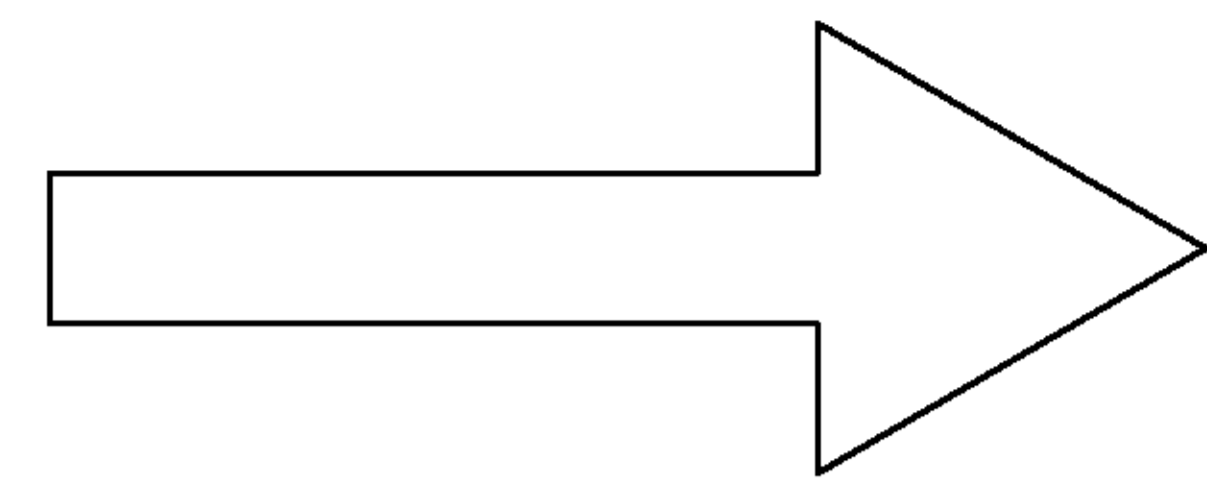
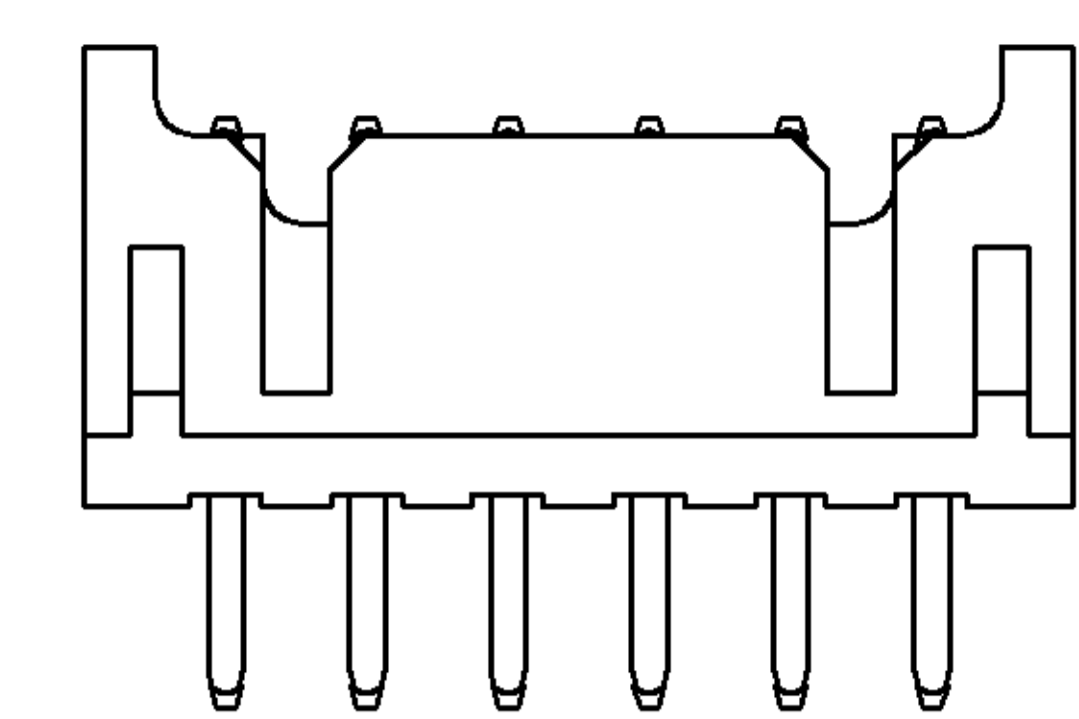
NUMBER



METRIC

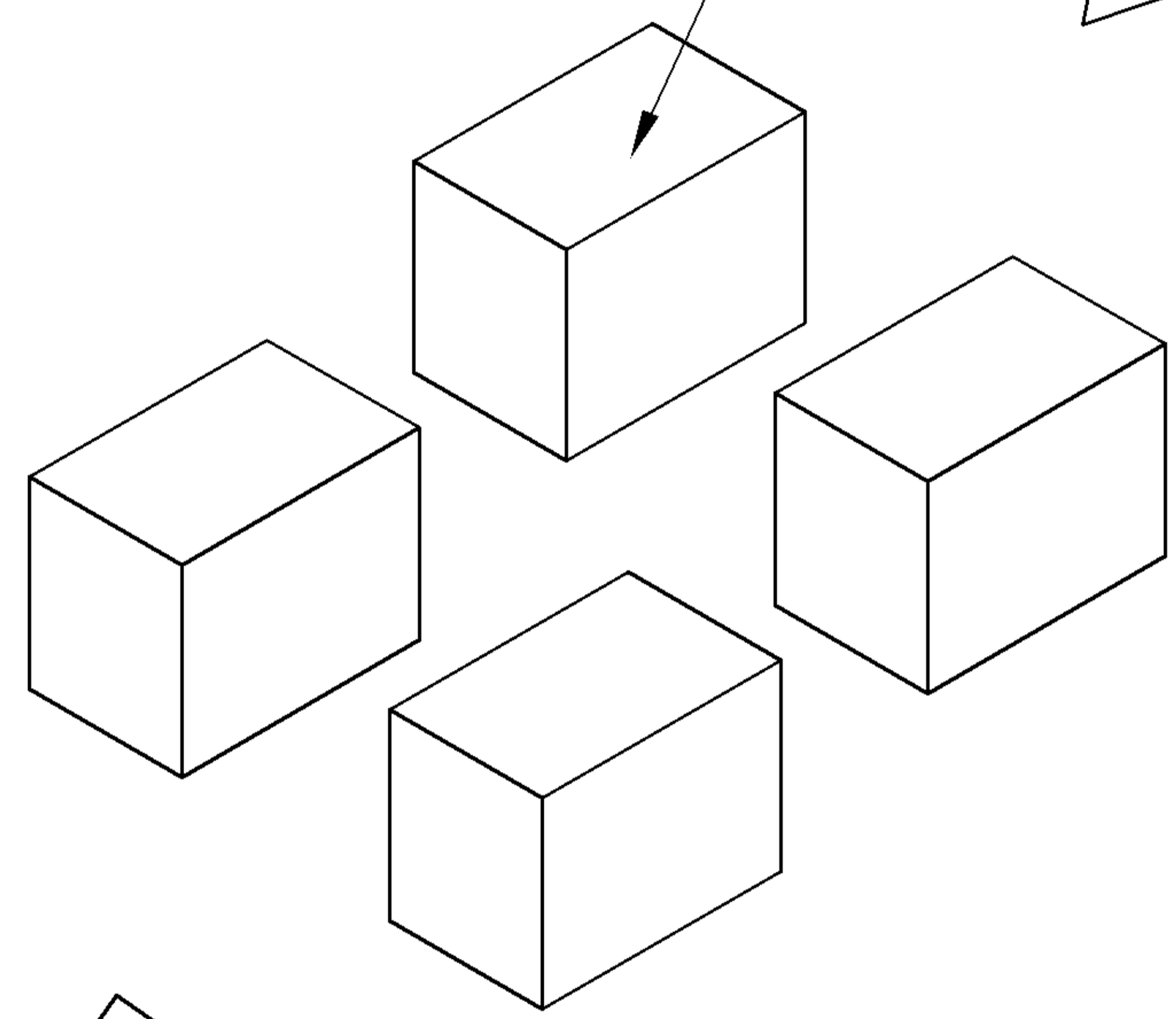
DIMENSIONS IN MILLIMETERS. DO NOT SCALE PRINT.

PRINT DIST DW

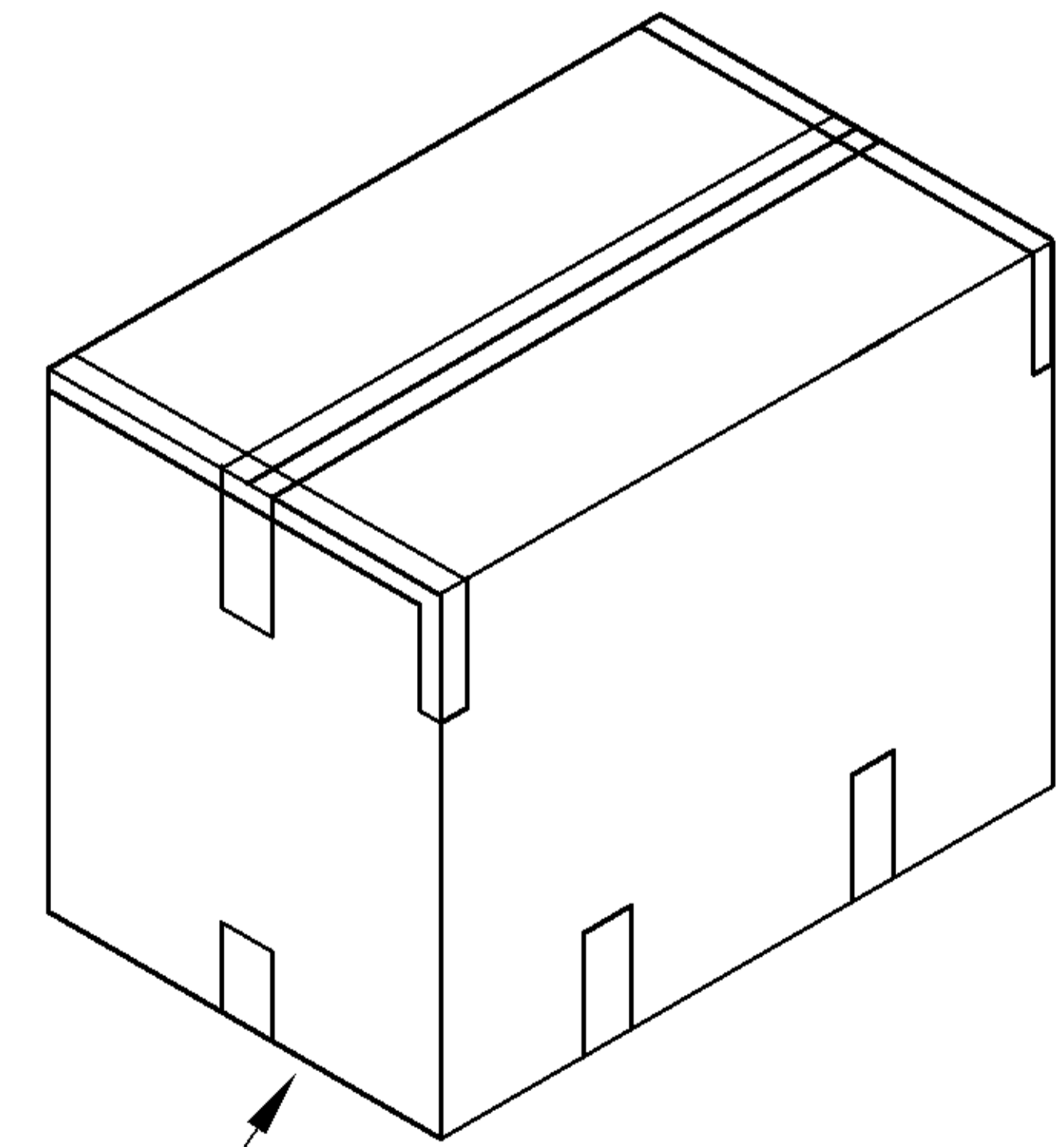
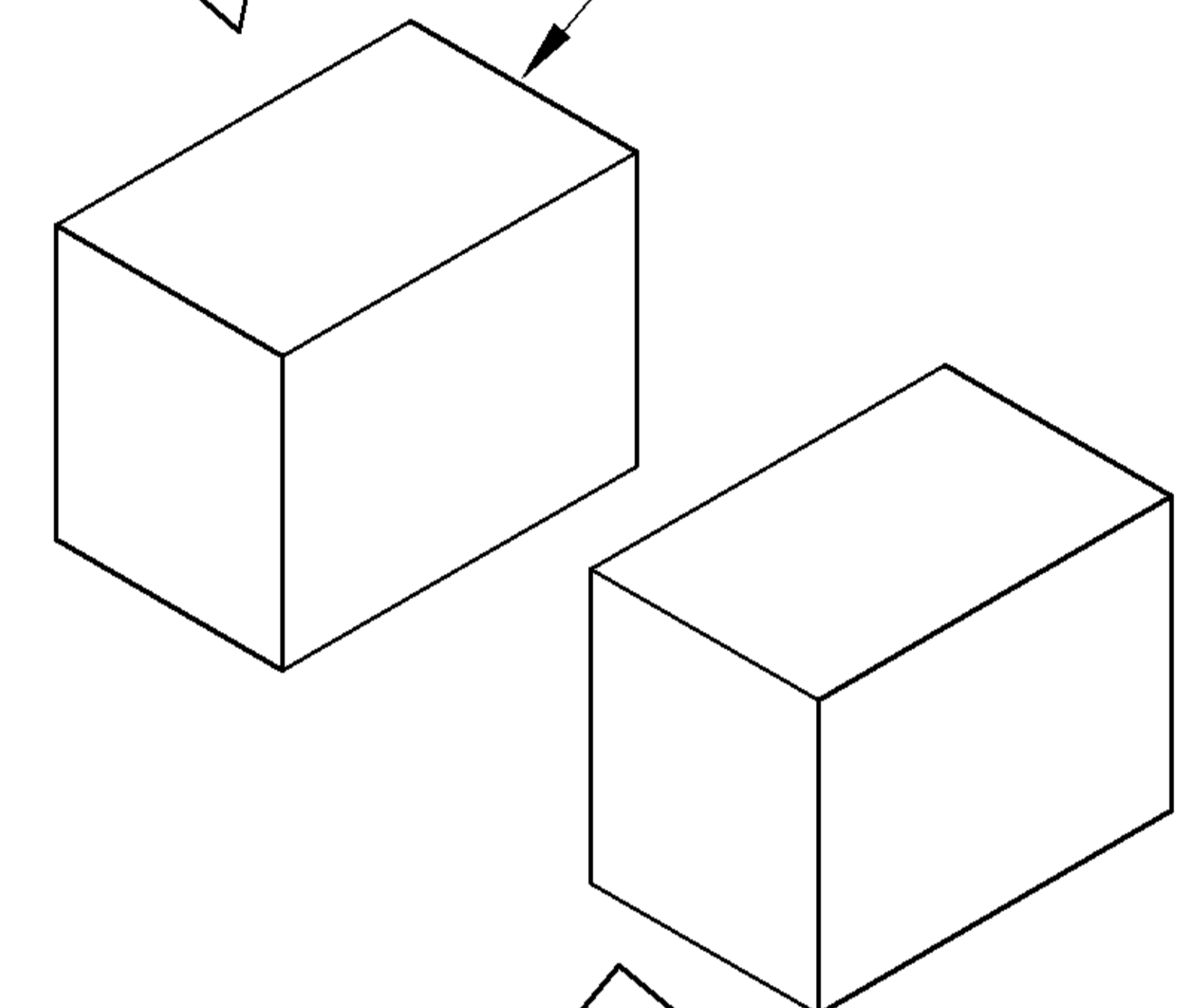


POLY BAG
127mm(L)X 203mm(W)X 0.07mm(H)

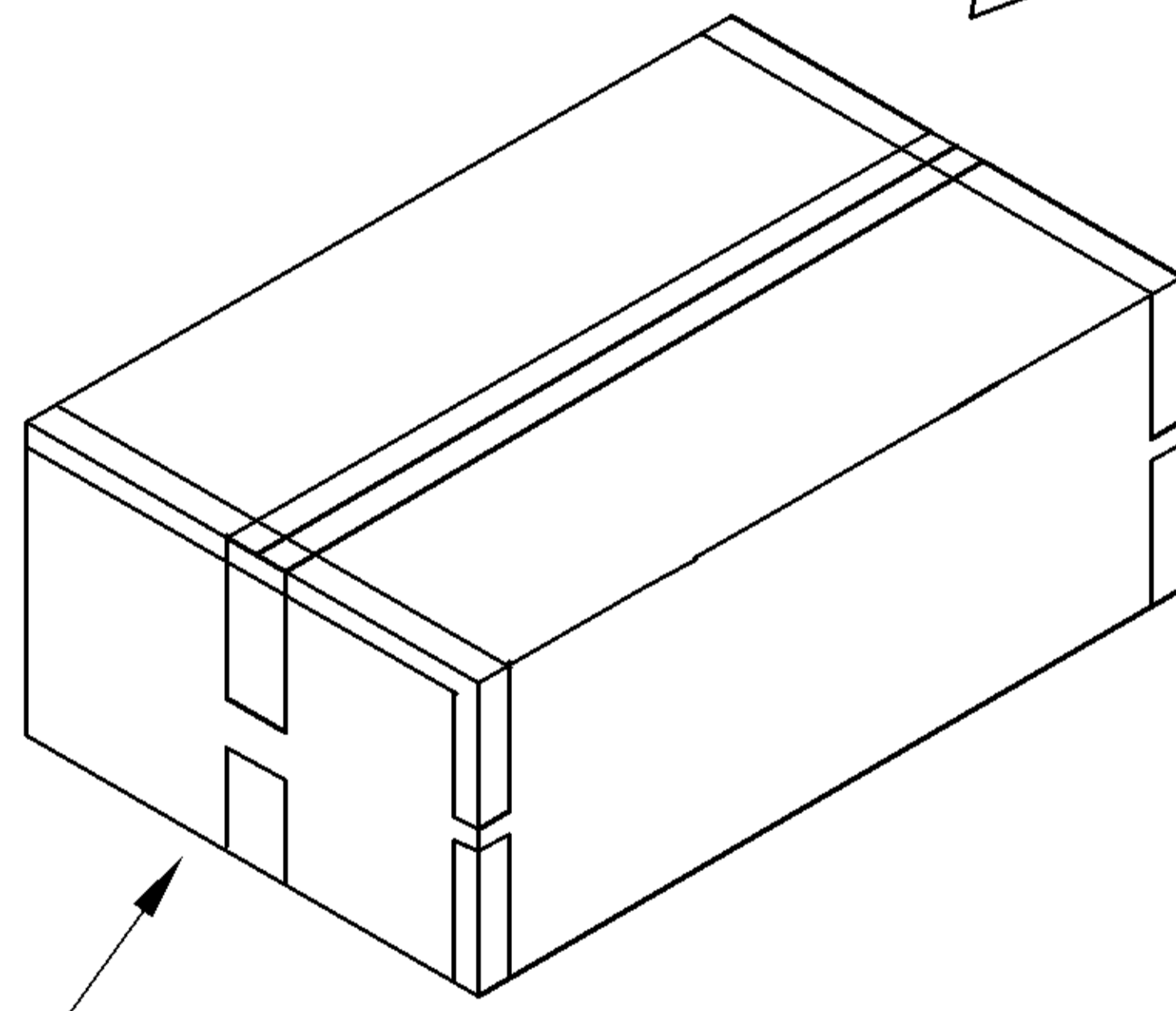
INEER BOX
320mm(L)X 220mm(W)X 155mm(H)



INEER BOX
320mm(L)X 220mm(W)X 155mm(H)



CARTON
340mm(L)X 470mm(W)X 365mm(H)
(FOR HEADER 12P~32P ONLY)



CARTON
340mm(L)X 470mm(W)X 178mm(H)
(FOR HEADER 6P~10P ONLY)

23,400	650		9-1470109-6
10,240	160		8-1470109-0
10,240	160	7-1470109-2	3-1470109-2
10,240	160	7-1470109-0	3-1470109-0
10,240	160	6-1470109-8	2-1470109-8
14,400	200	6-1470109-6	2-1470109-6
14,400	200	6-1470109-4	2-1470109-4
14,400	200	6-1470109-2	2-1470109-2
16,000	250	6-1470109-0	2-1470109-0
19,200	300	5-1470109-8	1-1470109-8
19,200	300	5-1470109-6	1-1470109-6
22,400	350	5-1470109-4	1-1470109-4
25,600	400	5-1470109-2	1-1470109-2
14,400	450	5-1470109-0	1-1470109-0
17,600	550	4-1470109-8	1470109-8
23,400	650	4-1470109-6	1470109-6

APQ (PCS/CARTON)	PPQ (PCS/BAG)	PART NUMBER
---------------------	------------------	-------------

TOLERANCES UNLESS OTHERWISE SPECIFIED: 0 PLC ± 1 PLC ± 2 PLC ± 3 PLC ± ANGLES ±'	DWN	O. HU	TE Connectivity		
		27-JUN-2007			
MATERIAL SEE NOTE	CHK	S. HOU	NAME 2.0MM PITCH HEADER, DIP, VERTICAL TYPE		
		27-JUN-2007			
FINISH SEE NOTE	APVD	W.J. KE	LOC SIZE DRAWING NO REV DW A ₃ C-1470109 E1		
		27-JUN-2007			
	QUALIFICATION TEST REPORT		SCALE SHEET -- 2 OF 2		
	WEIGHT				

LTR	REVISION RECORD	SEE SHEET 1.	DWN	CHK	DATE
		ECO			

8 | 7 | 6 | 5 | 4 | 3 | 2 | 1

CUSTOMER DRAWING