



Chipsmall Limited consists of a professional team with an average of over 10 year of expertise in the distribution of electronic components. Based in Hongkong, we have already established firm and mutual-benefit business relationships with customers from,Europe,America and south Asia,supplying obsolete and hard-to-find components to meet their specific needs.

With the principle of "Quality Parts,Customers Priority,Honest Operation,and Considerate Service",our business mainly focus on the distribution of electronic components. Line cards we deal with include Microchip,ALPS,ROHM,Xilinx,Pulse,ON,Everlight and Freescale. Main products comprise IC,Modules,Potentiometer,IC Socket,Relay,Connector.Our parts cover such applications as commercial,industrial, and automotives areas.

We are looking forward to setting up business relationship with you and hope to provide you with the best service and solution. Let us make a better world for our industry!



## Contact us

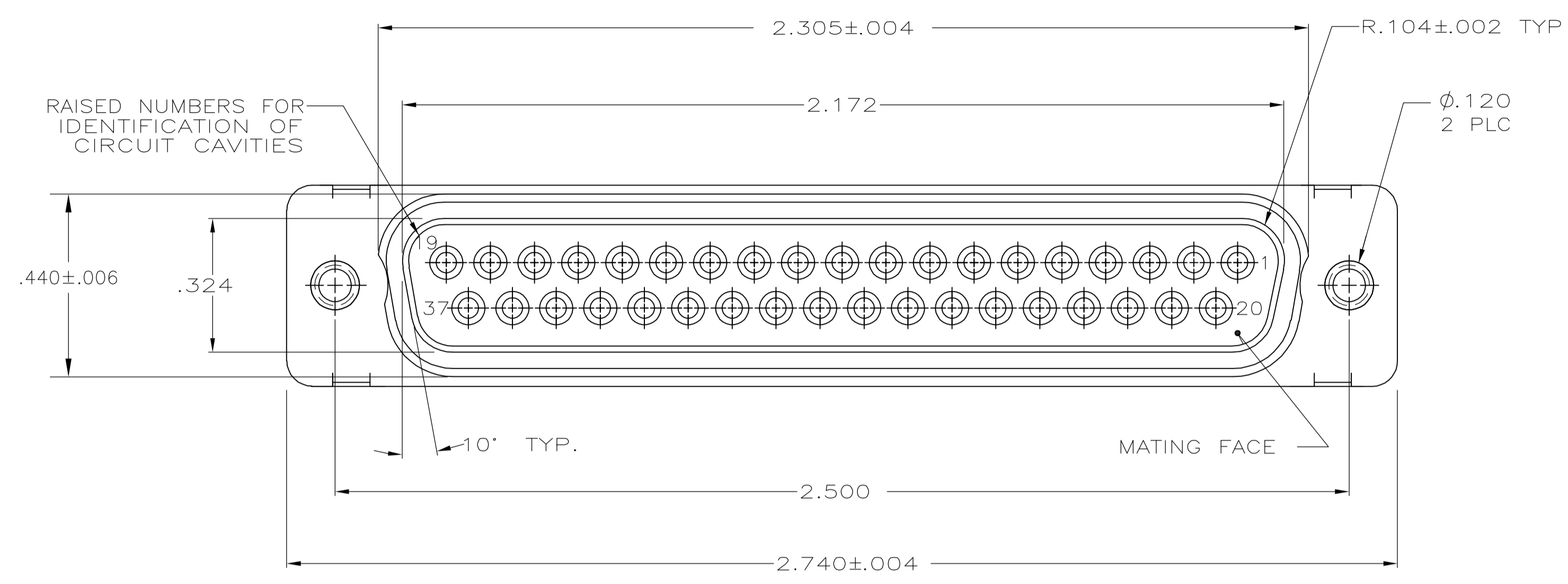
Tel: +86-755-8981 8866 Fax: +86-755-8427 6832

Email & Skype: info@chipsmall.com Web: www.chipsmall.com

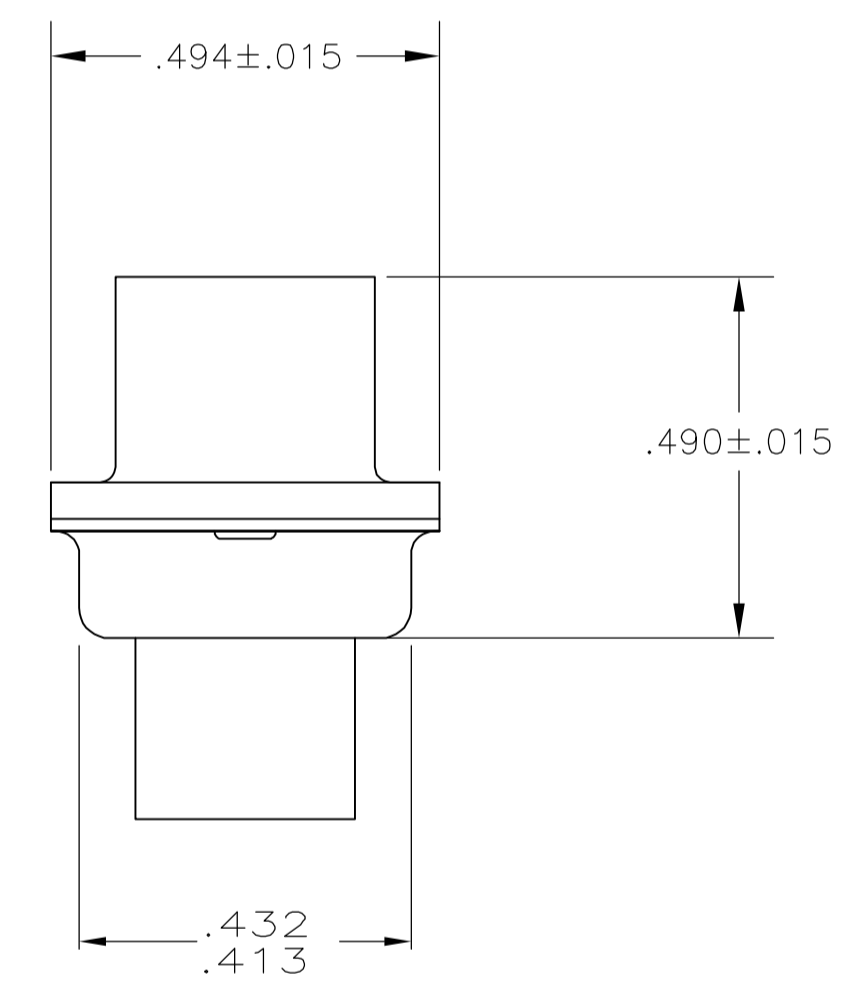
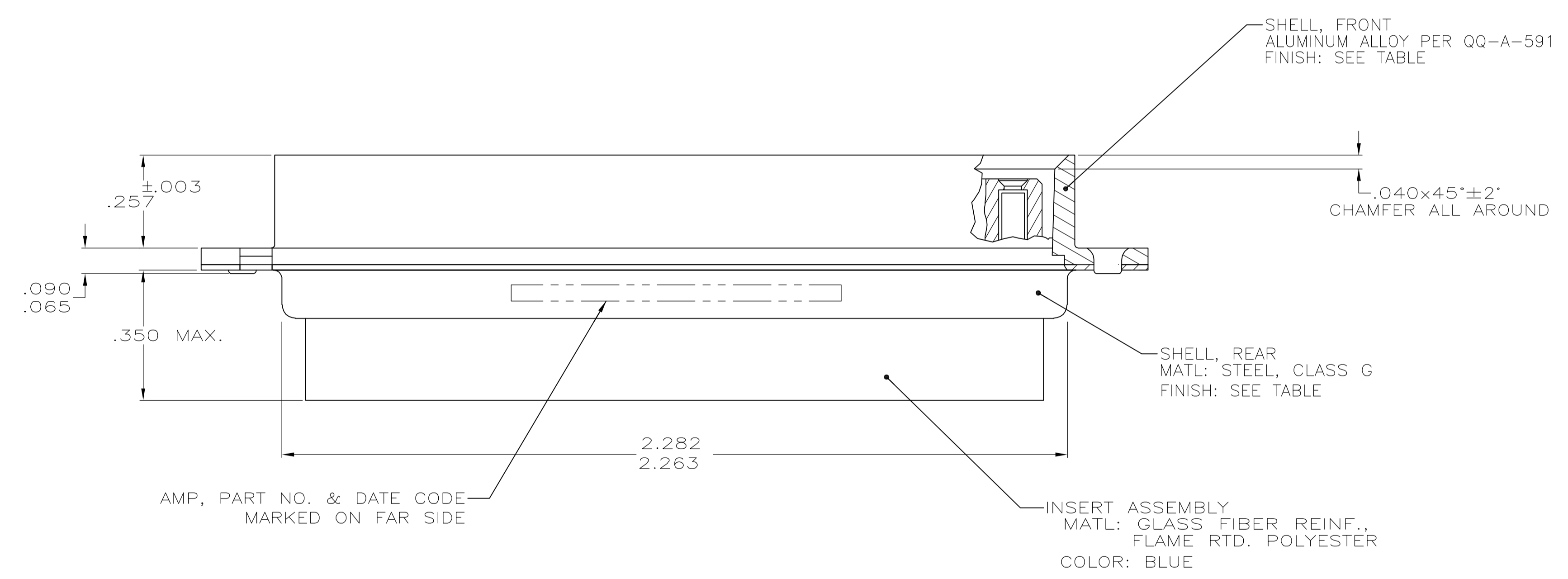
Address: A1208, Overseas Decoration Building, #122 Zhenhua RD., Futian, Shenzhen, China



LOC		DIST		REVISIONS			
DF	DO	REV	DESCRIPTION	DATE	BY	APPV	
B		REV PER ECO	05-014965	4-10-06	CT	DM	



1. MAXIMUM WIRE INSULATION TO BE USED WITH THIS PLUG IS .068 DIA.
2. SST RETENTION CLIPS ARE INCLUDED IN INSERTS.
3. THIS PLUG WILL ACCEPT SIZE 20 SOCKET CONTACT M39029/63-368 OR AMP PART NUMBER 205090-1.
4. FINISH: CADMIUM PER QQ-P-416; YELLOW CHROMATE.
5. FINISH: ZINC PLATED PER ASTM-B-633 .000200 MIN THK WITH SUPPLEMENTARY CHROMATE (Cr3+).



5	5-1484948-1
4	1484948-1
REMARKS	PART NUMBER

THIS DRAWING IS A CONTROLLED DOCUMENT.		DWG: C.C.THOMAS 8-28-02	Tyco Electronics Corporation	
DIMENSIONS: INCHES		CHK: D.MILLER 8-28-02	Harrisburg, PA 17105-3608	
TOLERANCES UNLESS OTHERWISE SPECIFIED:		APPV: D.MILLER 8-28-02	NAME: PLUG ASSEMBLY, AMPLIMITE	
0 PLC ± -		PRODUCT SPEC	37 POSN, SIZE 4, SERIES 109	
1 PLC ± -		APPLICATION SPEC	BLINDMATE, REVERSE GENDER	
2 PLC ± -		SIZE: A1	SCALE: 4:1	RESTRICTED TO: -
3 PLC ± .005		WEIGHT: -	DRAWING NO: 00779	SHEET 1 OF 1
4 PLC ± -		CUSTOMER DRAWING	DWG NO: 1484948	REV B
ANGLES ± -				
FINISH SEE CALLOUTS				