



Chipsmall Limited consists of a professional team with an average of over 10 year of expertise in the distribution of electronic components. Based in Hongkong, we have already established firm and mutual-benefit business relationships with customers from,Europe,America and south Asia,supplying obsolete and hard-to-find components to meet their specific needs.

With the principle of “Quality Parts,Customers Priority,Honest Operation,and Considerate Service”,our business mainly focus on the distribution of electronic components. Line cards we deal with include Microchip,ALPS,ROHM,Xilinx,Pulse,ON,Everlight and Freescale. Main products comprise IC,Modules,Potentiometer,IC Socket,Relay,Connector.Our parts cover such applications as commercial,industrial, and automotives areas.

We are looking forward to setting up business relationship with you and hope to provide you with the best service and solution. Let us make a better world for our industry!



## Contact us

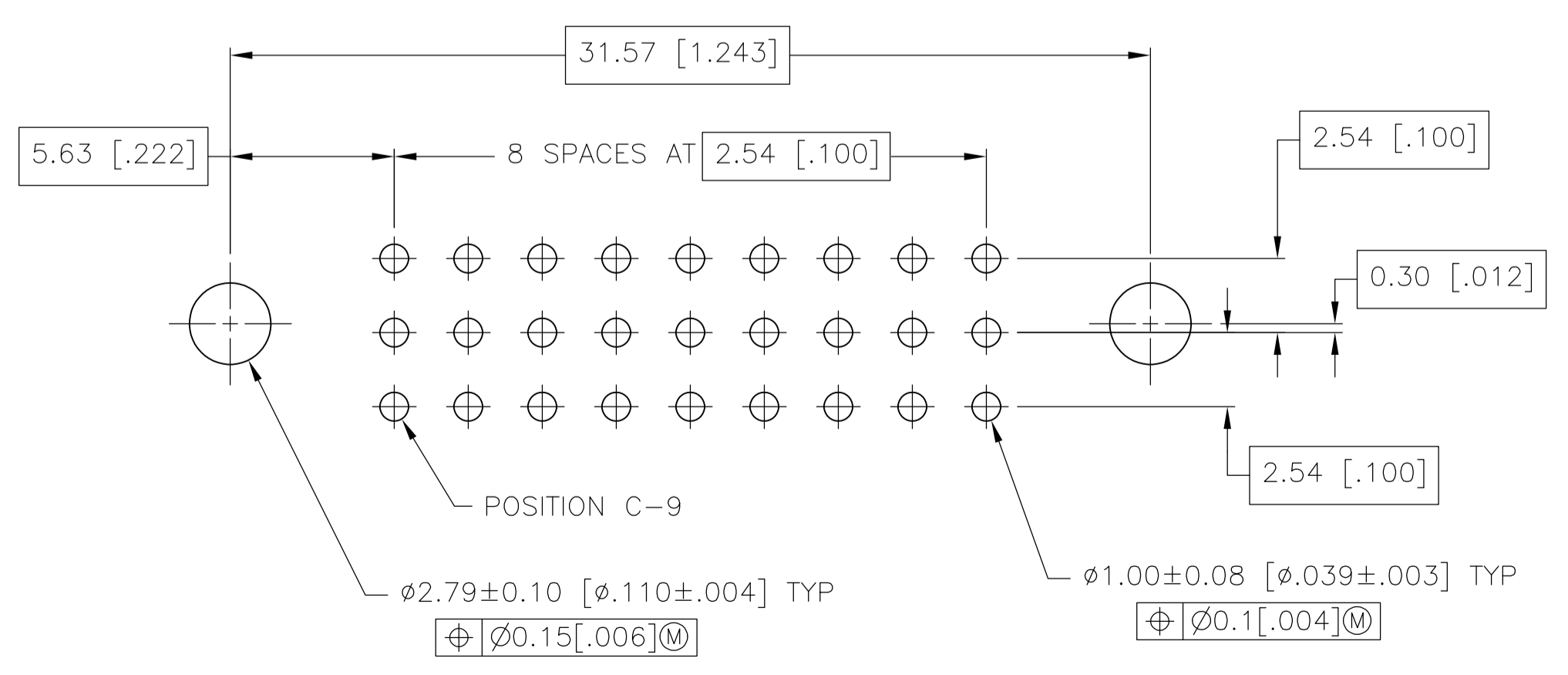
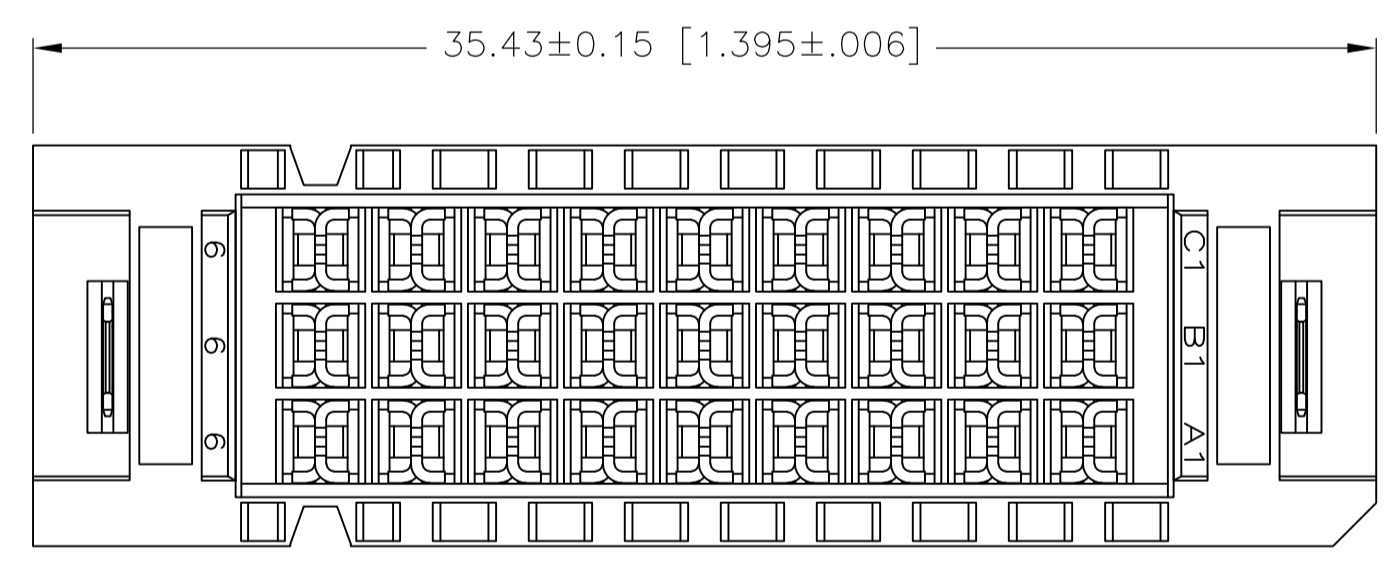
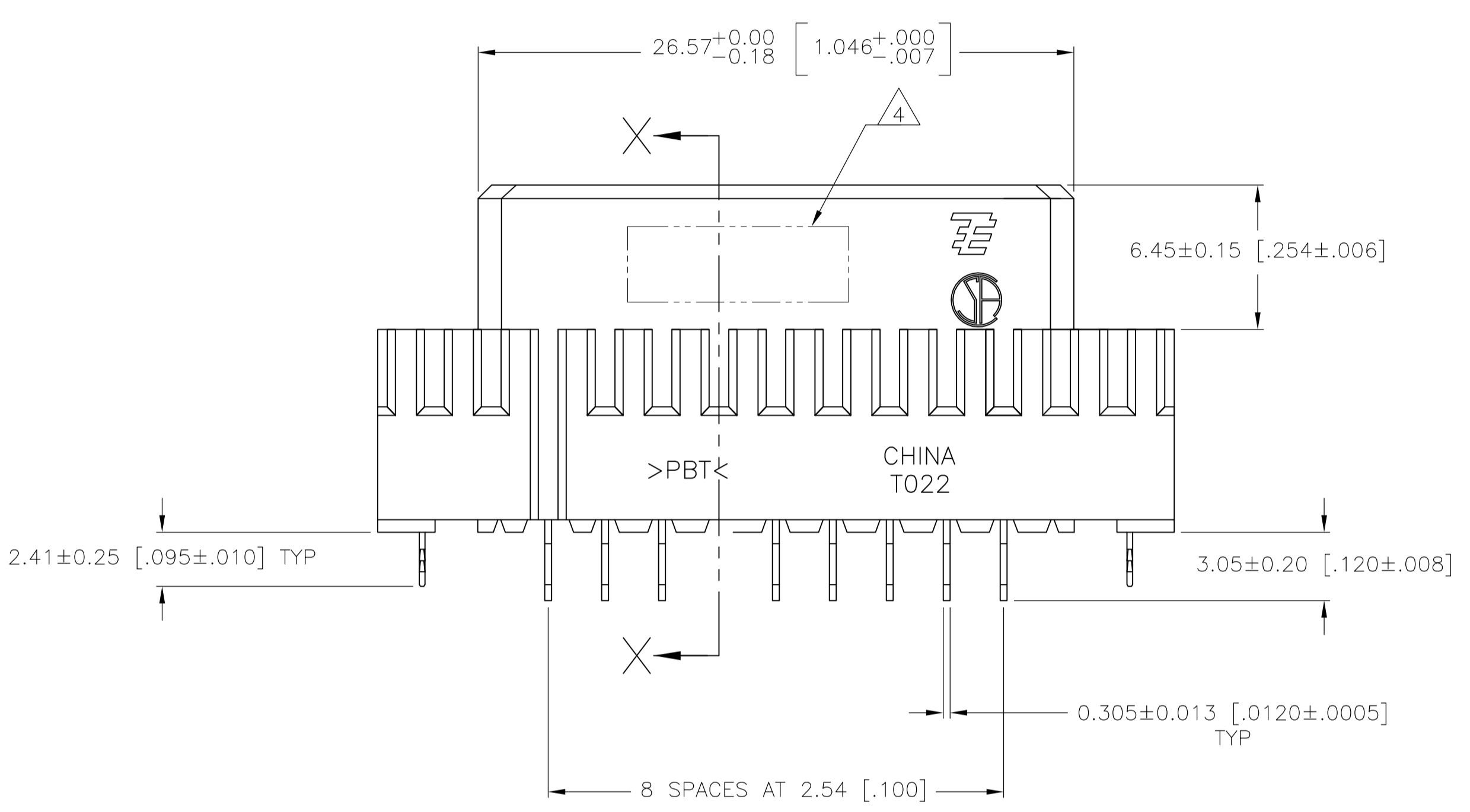
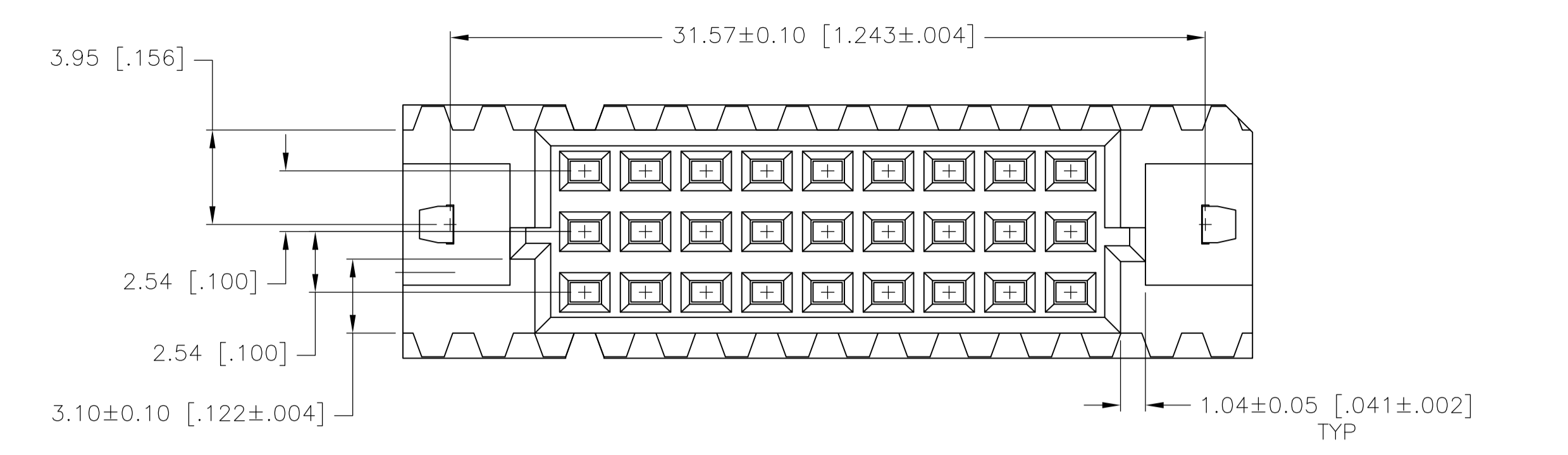
Tel: +86-755-8981 8866 Fax: +86-755-8427 6832

Email & Skype: info@chipsmall.com Web: www.chipsmall.com

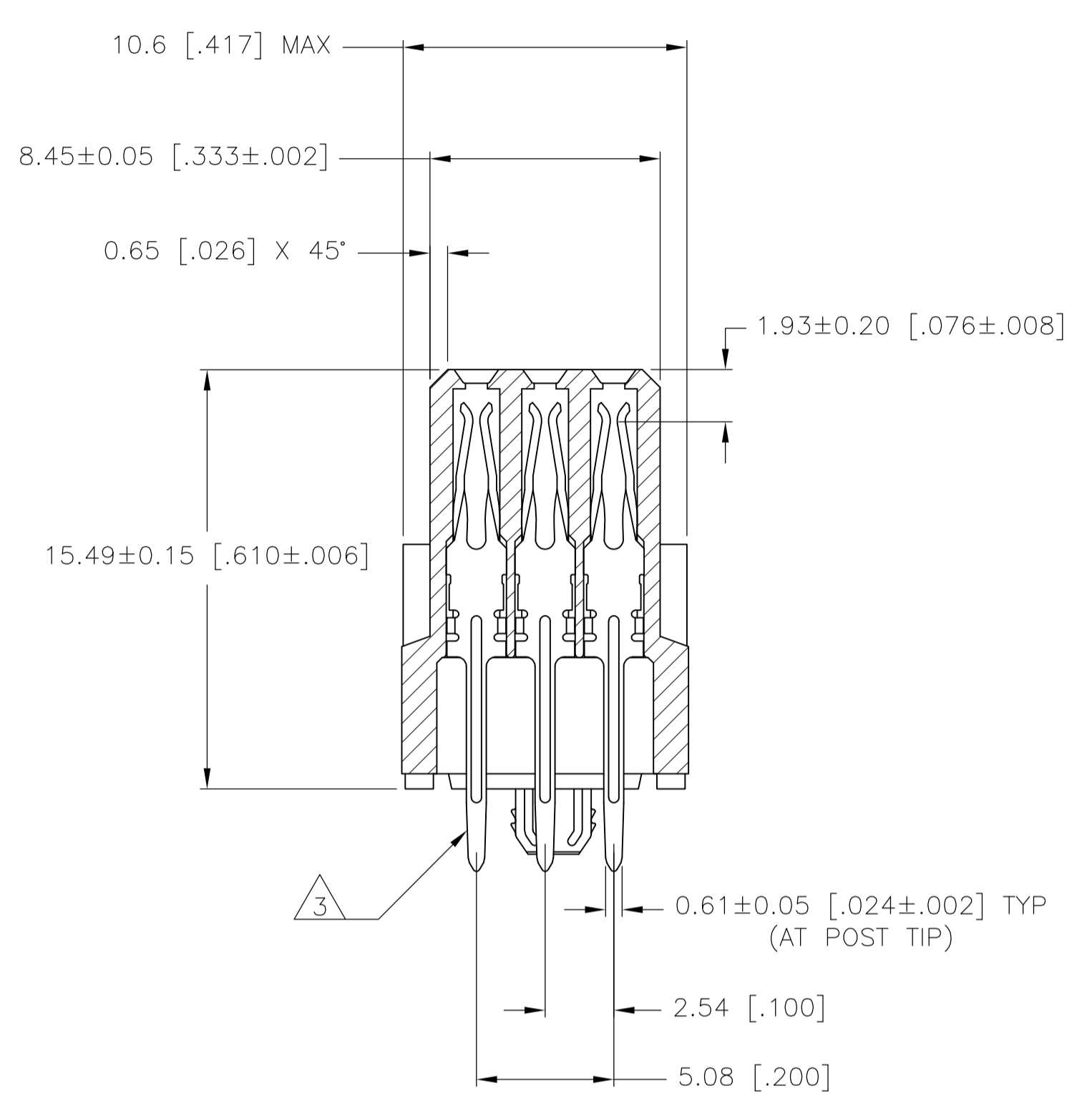
Address: A1208, Overseas Decoration Building, #122 Zhenhua RD., Futian, Shenzhen, China



LOC		DIST		REVISIONS			
P	LTR	DESCRIPTION	DATE	DN	APVD		
E		REVISED PER ECO-13-011801	02AUG13	KH	RP		



RECOMMENDED PC BOARD LAYOUT



SECTION X-X

- 1 HOUSING MATERIAL: GLASS FILLED POLYESTER, COLOR: GRAY.
- 2 CONTACT MATERIAL: PHOSPHOR BRONZE
- 3 CONTACT FINISH: 0.00076[.000030] MIN GOLD IN MATING AREA, 0.00254-0.00762[.000100-.000300] TIN-LEAD ON TAILS, ALL OVER 0.00127[.000050] MIN NICKEL.
- 4 PART NUMBER, DATE CODE MARKED ON OPPOSITE SIDE, THIS APPROX AREA.
- 5 CONTACT POINT.
- 6 PACKAGED TO POCKET TAPE.
- 7 CURRENT RATING - 2 AMPS MAXIMUM PER CONTACT.
- 8 CONTACT FINISH: 0.00076[.000030] MIN GOLD IN MATING AREA, 0.00254-0.00762[.000100-.000300] MATTE TIN ON TAILS, ALL OVER 0.00127[.000050] MIN NICKEL.

SUPERSEDED BY 5-1571437-1	27	5-1571437-1
	27	1571437-1
FINISH	NO. OF POSN	PART NUMBER

THIS DRAWING IS A CONTROLLED DOCUMENT.		DIN R BROWN 04FEB03	STE TE Connectivity	
DIMENSIONS: mm		CHK J GEFSEFORD 04FEB03	NAME RECEPTACLE ASSEMBLY, EUROCARD, TYPE C WITH BOARD LOCKS, SPECIAL PACKAGING	
TOLERANCES UNLESS OTHERWISE SPECIFIED:		APVD J GEFSEFORD 04FEB03	PRODUCT SPEC	
0 PLC ± -		APPLICATION SPEC		
1 PLC ± -		SIZE A1		
2 PLC ± 0.13[.005]		CAGE CODE 00779		
3 PLC ± -		DRAWING NO 1571437		
4 PLC ± -		RESTRICTED TO		
ANGLES ± -		WEIGHT		
MATERIAL 1/2		CUSTOMER DRAWING		
FINISH SEE TABLE		SCALE 5:1 SHEET 1 OF 1 REV E		