



Chipsmall Limited consists of a professional team with an average of over 10 year of expertise in the distribution of electronic components. Based in Hongkong, we have already established firm and mutual-benefit business relationships with customers from,Europe,America and south Asia,supplying obsolete and hard-to-find components to meet their specific needs.

With the principle of “Quality Parts,Customers Priority,Honest Operation,and Considerate Service”,our business mainly focus on the distribution of electronic components. Line cards we deal with include Microchip,ALPS,ROHM,Xilinx,Pulse,ON,Everlight and Freescale. Main products comprise IC,Modules,Potentiometer,IC Socket,Relay,Connector.Our parts cover such applications as commercial,industrial, and automotives areas.

We are looking forward to setting up business relationship with you and hope to provide you with the best service and solution. Let us make a better world for our industry!



Contact us

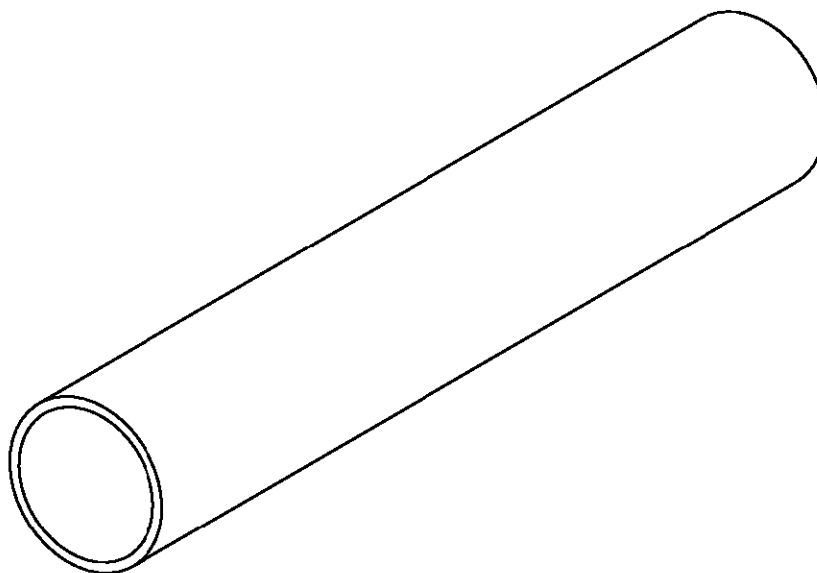
Tel: +86-755-8981 8866 Fax: +86-755-8427 6832

Email & Skype: info@chipsmall.com Web: www.chipsmall.com

Address: A1208, Overseas Decoration Building, #122 Zhenhua RD., Futian, Shenzhen, China



LOC	DIST	REVISIONS				
P	LTR	DESCRIPTION	DATE	DWN	APVD	
A1	-					
	A	EGCO-0137-03	19MAY03	ZA	-	




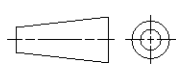
FOR TOOL 539764-1

2003

RELEASED FOR PUBLICATION

THIS DRAWING IS UNPUBLISHED.

© COPYRIGHT 2003 BY TYCO ELECTRONICS CORPORATION. ALL RIGHTS RESERVED.

DIMENSIONS: mm		DWN J. ZAJICEK	23MAR2004	MATERIAL	FINISH	
TOLERANCES UNLESS OTHERWISE SPECIFIED:		CHK	-	 tyco Electronics AMP GmbH D - 64625 Bensheim		
		APVD	-			
0 PLC ±		PRODUCT SPEC	-	NAME TUBE Rohr		
1 PLC ±			-			
2 PLC ±		APPLICATION SPEC	-	SIZE	CAGE CODE	DRAWING NO
3 PLC ±			-	A 4	00779	©=5-1579007-9
4 PLC ±			-	RESTRICTED TO		-
ANGLES ±°		WEIGHT	-	CUSTOMER DRAWING		
		SCALE		5:1	SHEET	1 OF 1
AMP 1469-35 REV 31MAR2000		REV		A		