



Chipsmall Limited consists of a professional team with an average of over 10 year of expertise in the distribution of electronic components. Based in Hongkong, we have already established firm and mutual-benefit business relationships with customers from,Europe,America and south Asia,supplying obsolete and hard-to-find components to meet their specific needs.

With the principle of “Quality Parts,Customers Priority,Honest Operation,and Considerate Service”,our business mainly focus on the distribution of electronic components. Line cards we deal with include Microchip,ALPS,ROHM,Xilinx,Pulse,ON,Everlight and Freescale. Main products comprise IC,Modules,Potentiometer,IC Socket,Relay,Connector.Our parts cover such applications as commercial,industrial, and automotives areas.

We are looking forward to setting up business relationship with you and hope to provide you with the best service and solution. Let us make a better world for our industry!



Contact us

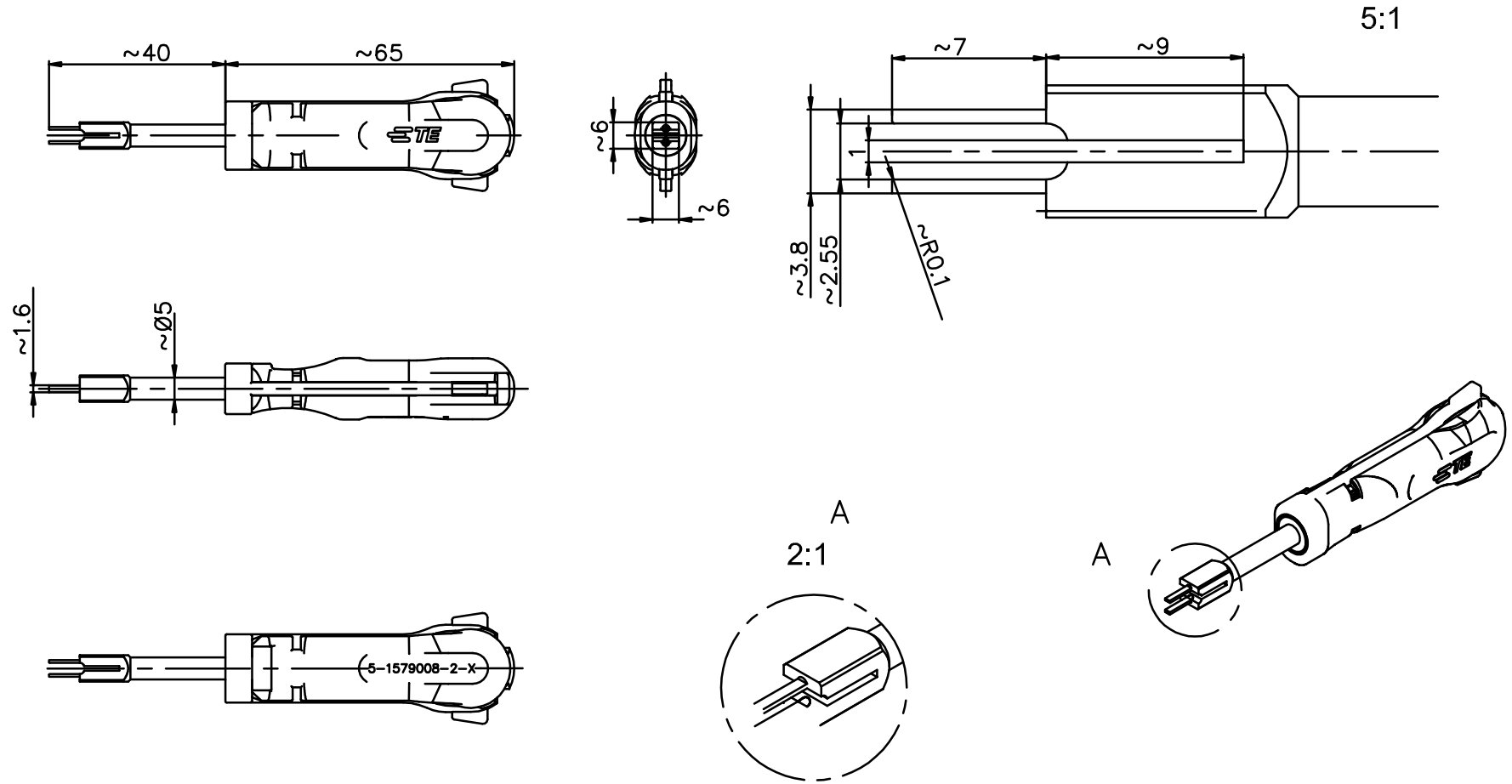
Tel: +86-755-8981 8866 Fax: +86-755-8427 6832

Email & Skype: info@chipsmall.com Web: www.chipsmall.com

Address: A1208, Overseas Decoration Building, #122 Zhenhua RD., Futian, Shenzhen, China




LOC	DIST	REVISIONS			
P	LTR	DESCRIPTION	DATE	DWN	APVD
—	—	B1	ECR-17-004807	04APR2017	KH BM



APPLICATION RANGE / Anwendungsbereich :

FOR HOUSING: 1719334-1
 FOR CONTACT MCON 2.8 : 1719840-1

THIS DRAWING IS A CONTROLLED DOCUMENT.		DWN S. Samstag 13.08.2009	 TE Connectivity		
DIMENSIONS: mm		CHK G. Stegmayer 13.08.2009			
TOLERANCES UNLESS OTHERWISE SPECIFIED:		APVD G. Stegmayer 13.08.2009	NAME EXTRACTION TOOL Entriegelungswerkzeug		
0 PLC ± - 1 PLC ± - 2 PLC ± - 3 PLC ± - 4 PLC ± - ANGLES ± -		PRODUCT SPEC —	RESTRICTED TO —		
MATERIAL		APPLICATION SPEC —	SIZE A3	CAGE CODE 00779	DRAWING NO 5-1579008-2
FINISH		WEIGHT 0,017kg	SCALE 1:1	SHEET 1 OF 1	REV B1
CUSTOMER DRAWING					