



Chipsmall Limited consists of a professional team with an average of over 10 year of expertise in the distribution of electronic components. Based in Hongkong, we have already established firm and mutual-benefit business relationships with customers from,Europe,America and south Asia,supplying obsolete and hard-to-find components to meet their specific needs.

With the principle of “Quality Parts,Customers Priority,Honest Operation,and Considerate Service”,our business mainly focus on the distribution of electronic components. Line cards we deal with include Microchip,ALPS,ROHM,Xilinx,Pulse,ON,Everlight and Freescale. Main products comprise IC,Modules,Potentiometer,IC Socket,Relay,Connector.Our parts cover such applications as commercial,industrial, and automotives areas.

We are looking forward to setting up business relationship with you and hope to provide you with the best service and solution. Let us make a better world for our industry!



Contact us

Tel: +86-755-8981 8866 Fax: +86-755-8427 6832

Email & Skype: info@chipsmall.com Web: www.chipsmall.com

Address: A1208, Overseas Decoration Building, #122 Zhenhua RD., Futian, Shenzhen, China



DWG NO
C-5-1579008-3

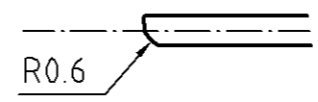
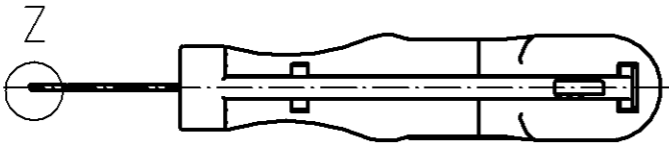
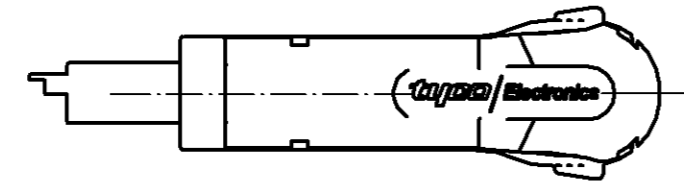
PASSMASS	ABMASS

PROJECT NO. : USED ON

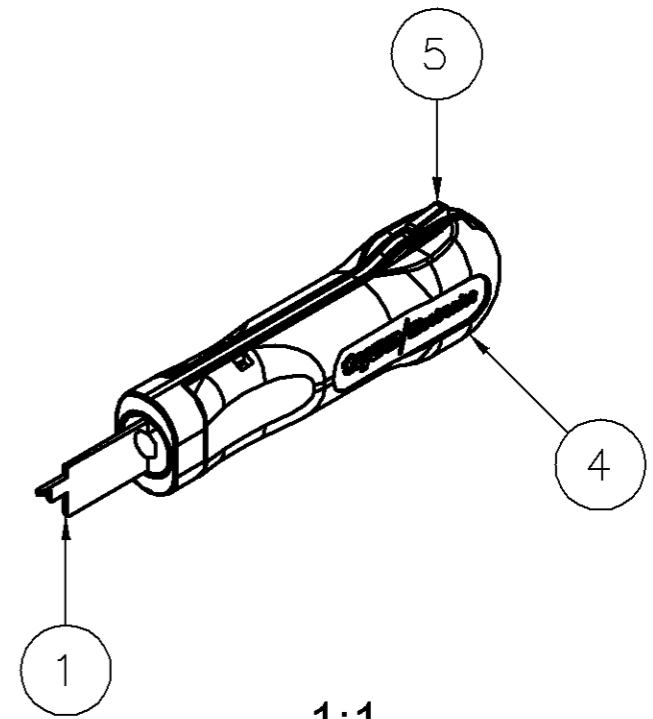
Pos.	Titel	Dokument	No. Material	Surface	Heat Treatment	Qty
1	Blade					1
4	Handle	65mm	PA 6 GF 20			1
5	Protection S.	65mm	PA 6 GF 20			1

THIS DRAWING IS A CONTROLLED DOCUMENT FOR AMP INCORPORATED. IT IS SUBJECT TO CHANGE AND THE CONTROLLING ENGINEERING ORGANIZATION SHOULD BE CONTACTED FOR THE LATEST REVISION.

DIESES ZEICHNUNGSDOCUMENT WIRD DURCH AMP INCORPORATED KONTROLLIERT. WENN SICH VERÄNDERUNGEN AN DER ZEICHNUNG ERGEBEN, SIND DIE VERÄNDERUNGEN IM ÜBERWACHENDEN INGENIEURWESENSTAND ERFAHREN SIE AUF ANFRAGE. DEN JEWEILS LETZTQUELTLICHEN ÄNDERUNGSSTAND ERFAHREN SIE AUF ANFRAGE.

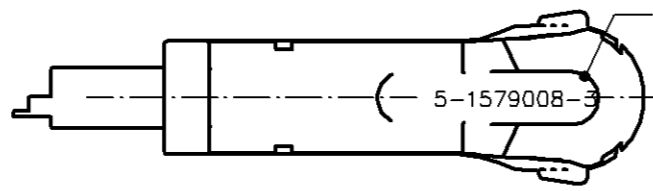


Z 5:1



1:1

ITEM NUMBER



FOR CONTACTS / HOUSINGS:

MicroMatch Cosi Contact 338096, 338095

FREI-MASSTOLERANZEN NACH DIN 7168 (WERTE IN mm)
1) ABWEICHEND VON DIN 7168 2) LÄNGE DES KÜRZEREN SCHENKELS

NENNMASS- BEREICH 1)	ÜBER	0,5	3	6	30	120	400
BIS	3	6	30	120	400	1.000	
LÄNGEN- MASSE	±0,1	±0,05	±0,1	±0,15	±0,2	±0,3	±0,4
MASSE	±0,1	±0,1	±0,2	±0,3	±0,5	±0,8	
RADIEN U. FASEN	±0,2	±0,5	±1	±2	±4	±4	
WINKELABMASSE 1) 2)	±1'	±1'	±30'	±20'	±10'	±5'	

GENERAL TOLERANCES ACC. TO DIN 7168 (VALUES IN mm)
1) DEVIATING FROM DIN 7168 2) LENGTH OF SHORT ANGLE SIDE

LOC	AI	DIST	TEIL IM BEREICH X... MIT PN/STREICH-NR. (-1 WIE GEZ.), REVISION-STAND UND LIEFERANTENSYMBOL GEMEINZEICHNEN	REVISION RECORD	DATE	DWN	APVD
			PART TO BE MARKED WITH PN/DASH NO. (-1 AS SHOWN), REV. STATUS AND VENDORS MARK IN AREA X...				
			OBERFLÄCHENVERGLEICHSTABELLE				
			BOHRG. DIN 6 ANGABE				
			ALLE UNBESASTEN KANTEN 0,2x45° ENTGRATET REMOVE BURRS, BREAK SHARP EDGES 0,2x45°				

AMP 3306-7 REV 23FEB95

FINISH	DWN 06.03.2007	MATERIAL 1.4301	HEAT TREAT 48 +/- 2 HRC
DIMENSIONS: mm	H. Fink	X5CrNi1810	
TOLERANCES UNLESS OTHERWISE SPECIFIED: n. ISO 8015 n. ISO 2768 - mH - E n. DIN 18901 - 140	CHK 07.03.2007		
0 PLC ± 1 PLC ± 2 PLC ± 3 PLC ± 4 PLC ±	G. Stegmayer		
APVD 07.03.2007	G. Stegmayer	tyco Electronics AMP GmbH	D - 64625 Bensheim
NAME	EXTRACTION TOOL Entriegelungswerkzeug		
SCALE 1:1	SIZE A3	DRAWING NO C-5-1579008-3	SHEET 1 OF 1
SURFACE TEXTURE			REV A

Gewicht / Weight 0,000kg

THIS INFORMATION IS CONFIDENTIAL AND IS DISCLOSED TO YOU ON THE CONDITION THAT NO PART OF THIS DISCLOSURE IS MADE BY YOU TO OTHER THAN AMP PERSONNEL WITHOUT WRITTEN AUTHORIZATION FROM AMP INCORPORATED, D - 60825 LANGEN