



Chipsmall Limited consists of a professional team with an average of over 10 year of expertise in the distribution of electronic components. Based in Hongkong, we have already established firm and mutual-benefit business relationships with customers from,Europe,America and south Asia,supplying obsolete and hard-to-find components to meet their specific needs.

With the principle of “Quality Parts,Customers Priority,Honest Operation,and Considerate Service”,our business mainly focus on the distribution of electronic components. Line cards we deal with include Microchip,ALPS,ROHM,Xilinx,Pulse,ON,Everlight and Freescale. Main products comprise IC,Modules,Potentiometer,IC Socket,Relay,Connector.Our parts cover such applications as commercial,industrial, and automotives areas.

We are looking forward to setting up business relationship with you and hope to provide you with the best service and solution. Let us make a better world for our industry!



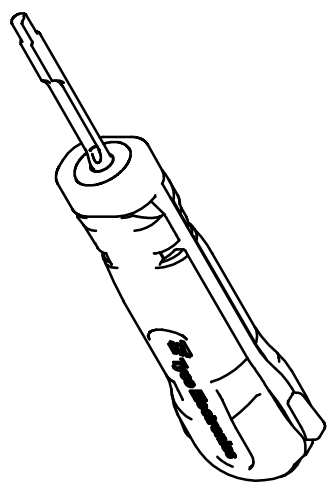
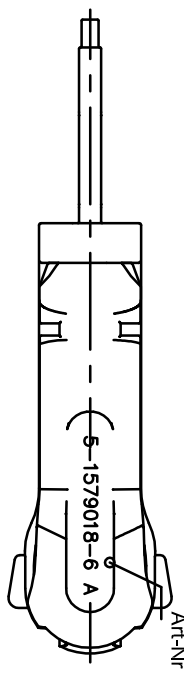
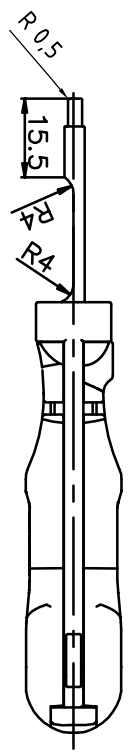
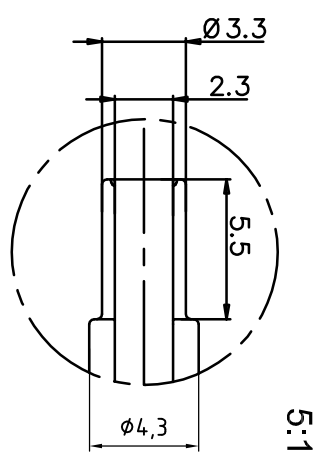
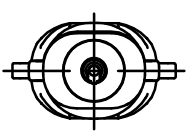
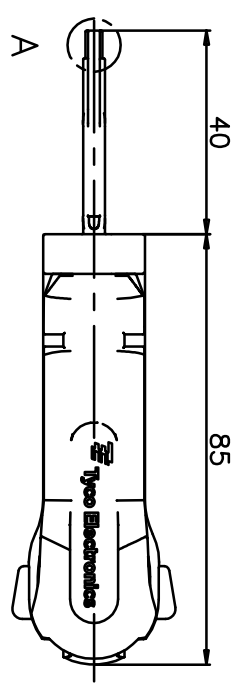
## Contact us

Tel: +86-755-8981 8866 Fax: +86-755-8427 6832

Email & Skype: info@chipsmall.com Web: www.chipsmall.com

Address: A1208, Overseas Decoration Building, #122 Zhenhua RD., Futian, Shenzhen, China





APPLICATION RANGE / Anwendungsbereich :

FOR CONTACT: 964269-X

<b>THIS DRAWING IS A CONTROLLED DOCUMENT.</b>		DWN	S. Samsfag	15SEP09
DIMENSIONS: mm		CHK	G. Stegmayer	15SEP09
TOLERANCES UNLESS OTHERWISE SPECIFIED:		APVD	G. Stegmayer	15SEP09
0 PLC	± -	PRODUCT SPEC		
1 PLC	± -	APPLICATION SPEC		
2 PLC	± -	WEIGHT		
3 PLC	± -	0,000kg		
FINISH	± -	CUSTOMER DRAWING		
MATERIAL		SIZE	A3	RESTRICTED TO
		CAGE CODE	00779	
		DRAWING NO	5-1579018-6	
		SCALE	1:1	
		SHEET	1 OF 1	
		REV	A	

**INSERITION TOOL**  
Eindrueckwerkzeug / Steckhilfe

**Tyco Electronics**  
Tyco Electronics AMP GmbH  
64625 Bensheim (Germany)