



Chipsmall Limited consists of a professional team with an average of over 10 year of expertise in the distribution of electronic components. Based in Hongkong, we have already established firm and mutual-benefit business relationships with customers from,Europe,America and south Asia,supplying obsolete and hard-to-find components to meet their specific needs.

With the principle of “Quality Parts,Customers Priority,Honest Operation,and Considerate Service”,our business mainly focus on the distribution of electronic components. Line cards we deal with include Microchip,ALPS,ROHM,Xilinx,Pulse,ON,Everlight and Freescale. Main products comprise IC,Modules,Potentiometer,IC Socket,Relay,Connector.Our parts cover such applications as commercial,industrial, and automotives areas.

We are looking forward to setting up business relationship with you and hope to provide you with the best service and solution. Let us make a better world for our industry!



## Contact us

Tel: +86-755-8981 8866 Fax: +86-755-8427 6832

Email & Skype: info@chipsmall.com Web: www.chipsmall.com

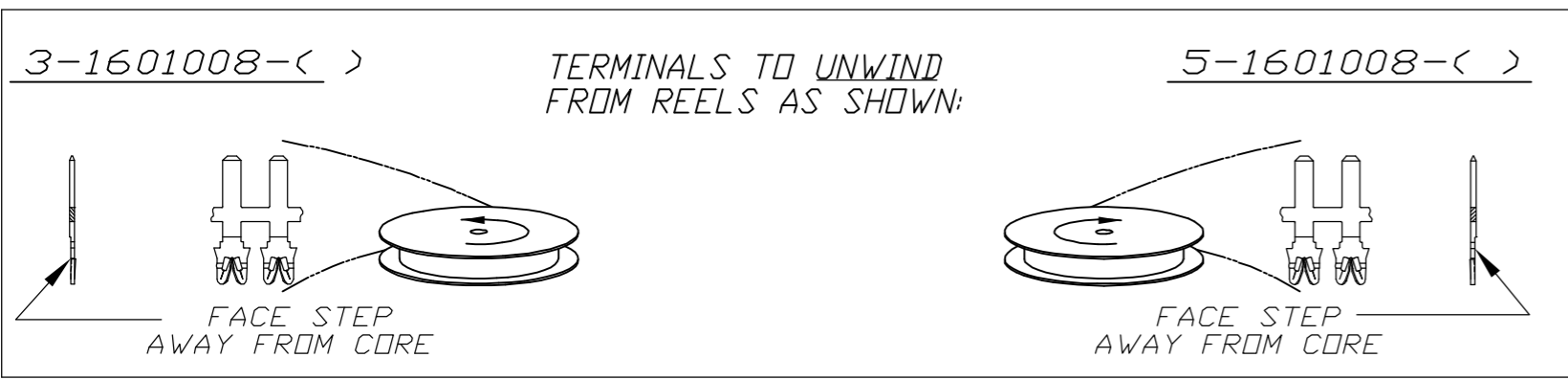
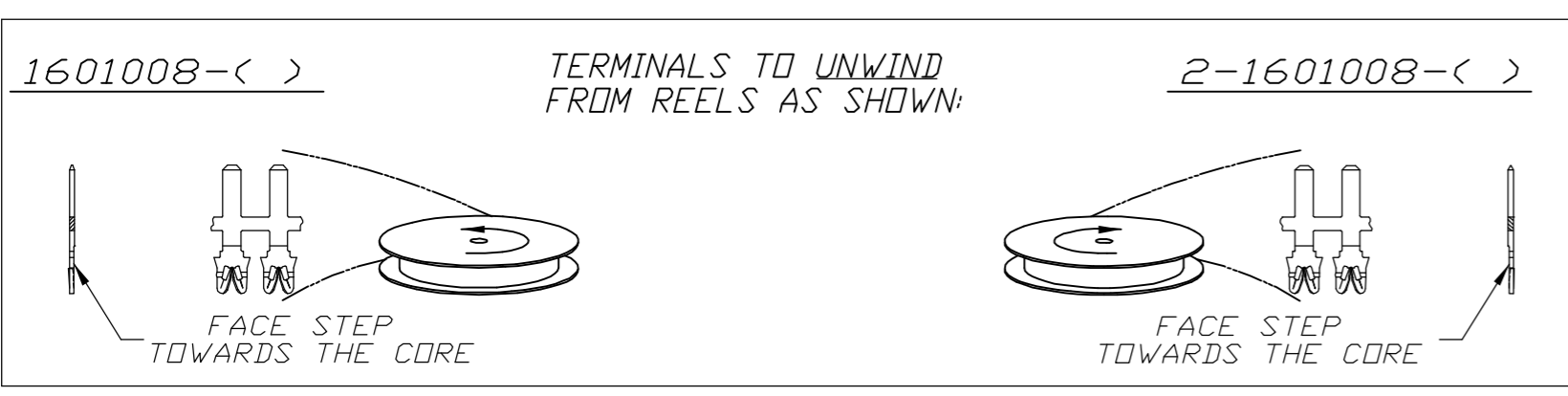
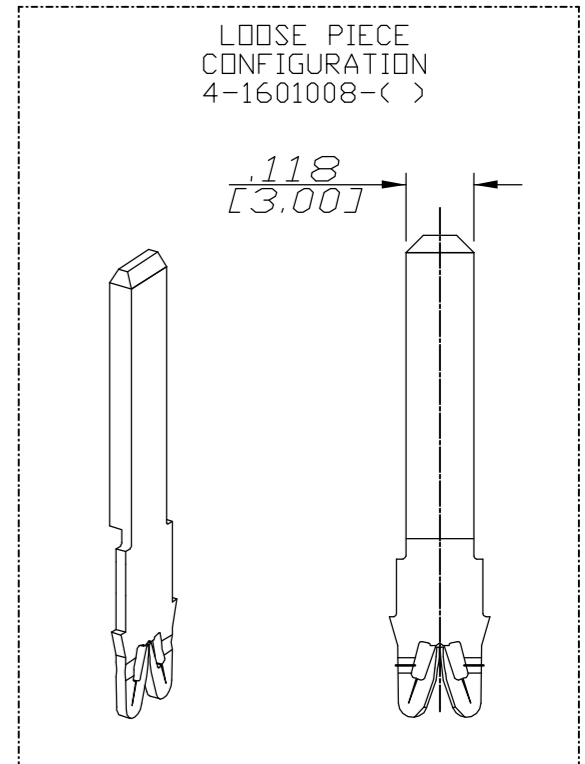
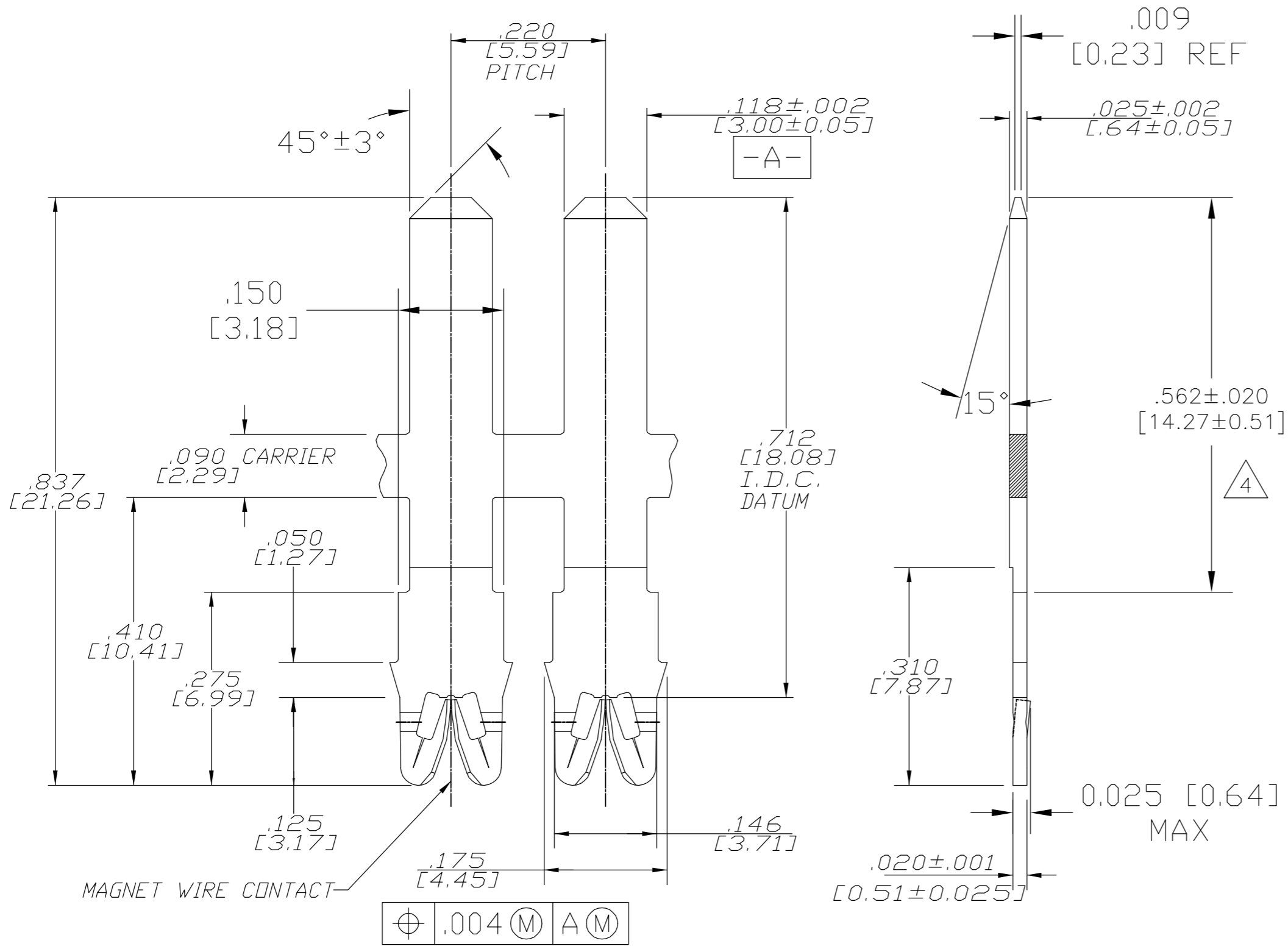
Address: A1208, Overseas Decoration Building, #122 Zhenhua RD., Futian, Shenzhen, China



THIS DRAWING IS UNPUBLISHED. RELEASED FOR PUBLICATION  
 © COPYRIGHT BY TYCO ELECTRONICS CORPORATION. ALL RIGHTS RESERVED.

LOC		DIST		REVISIONS			
P	LTR	DESCRIPTION		DATE	DWN	APVD	
AF	50	D1	REVISED PER ECR 05-008085		19AUG05	JR	KR

- SPECIFICATIONS:**  
MAGNET WIRE #18 - #34 AWG,  
.040"(1.02mm)-.006"(0.16mm) DIA.  
OTHER SIZES MAY BE ACCOMMODATED,  
CONSULT TYCO ELECTRONICS FOR APPROVAL.
- POCKET RECOMMENDATION:**  
#1601425
- NOTES:**  
TERMINALS SUPPLIED ON REELS,  
CAN BE SUPPLIED LOOSE PIECE,  
  - 4** SELECTIVE PLATE THIS AREA:  
.000030 [0.00076] MIN GOLD PLATE OVER  
.000050 [0.00127] MIN NICKEL UNDERPLATE  
OVER ENTIRE TERMINAL.
  - 5** PRELIMINARY - NOT FOR PRODUCTION.



FINISH		REFERENCE PART NUMBER	TYCO PART NUMBER
Pre-Tin Plate over Copper Underplate	-	-	5-1601008-2
Pre-Tin Plate over Copper Underplate	-	-	3-1601008-2
<b>4</b>	-	<b>5</b>	1601008-3
UNPLATED	-	<b>5</b>	1601008-1
Pre-Tin Plate over Copper Underplate	131-017-014	-	1601008-2
THIS DRAWING IS A CONTROLLED DOCUMENT.		DWN J.WELLER 11JAN2002	
CHK M.FEHER 11JAN2002		APVD K.RANDOLPH 11JAN2002	
DIMENSIONS: INCHES		TOLERANCES UNLESS OTHERWISE SPECIFIED:	
0 PLC ± -		1 PLC ± -	
2 PLC ± .01[0.25]		3 PLC ± .005[0.13]	
4 PLC ± -		ANGLES ± 2°	
MATERIAL: BRASS, FULL HARD		FINISH: SEE TABLE	
CUSTOMER DRAWING		SCALE: 1:1	
SIZE: A2		CAGE CODE: 00779	
DRAWING NO: 108-2085		SHEET: 1 OF 1	
APPLICATION SPEC: 408-8629		REV: D1	
WEIGHT: -		RESTRICTED TO: -	
NAME: Tyco Electronics Corporation, Harrisburg, Pa 17105-3608		STANDARD RANGE WIRE TO .118 X .025 TAB SIAMEZE TERMINAL	