



Chipsmall Limited consists of a professional team with an average of over 10 year of expertise in the distribution of electronic components. Based in Hongkong, we have already established firm and mutual-benefit business relationships with customers from,Europe,America and south Asia,supplying obsolete and hard-to-find components to meet their specific needs.

With the principle of "Quality Parts,Customers Priority,Honest Operation,and Considerate Service",our business mainly focus on the distribution of electronic components. Line cards we deal with include Microchip,ALPS,ROHM,Xilinx,Pulse,ON,Everlight and Freescale. Main products comprise IC,Modules,Potentiometer,IC Socket,Relay,Connector.Our parts cover such applications as commercial,industrial, and automotives areas.

We are looking forward to setting up business relationship with you and hope to provide you with the best service and solution. Let us make a better world for our industry!



## Contact us

Tel: +86-755-8981 8866 Fax: +86-755-8427 6832

Email & Skype: info@chipsmall.com Web: www.chipsmall.com

Address: A1208, Overseas Decoration Building, #122 Zhenhua RD., Futian, Shenzhen, China

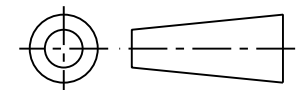


DO NOT SCALE

DIMENSIONS IN mm

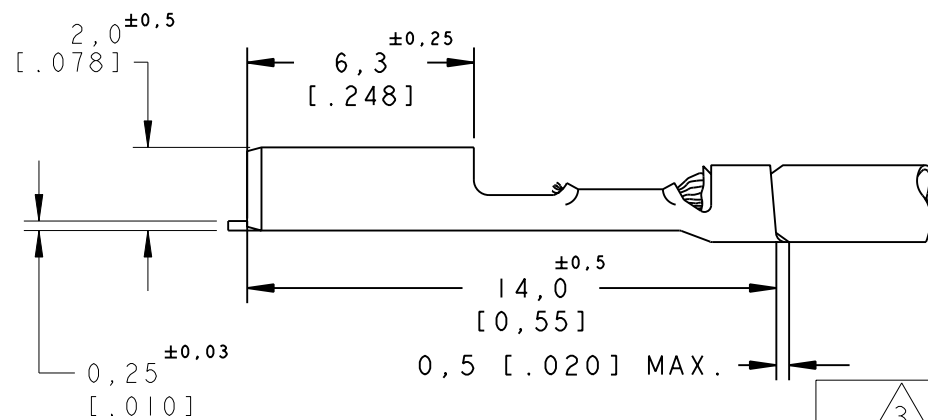
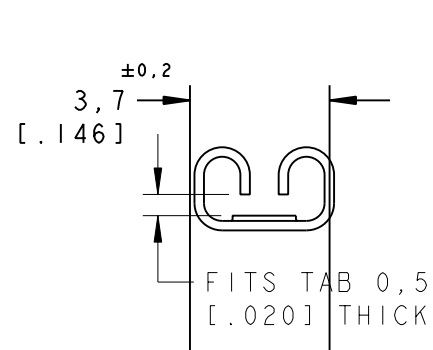
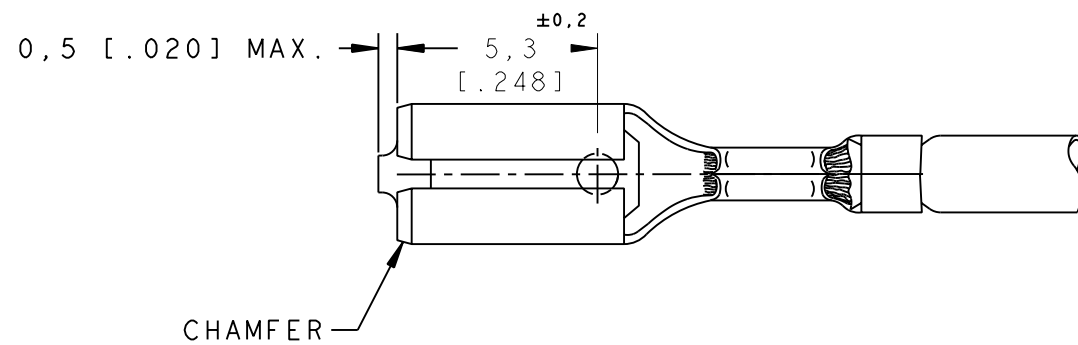
METRIC

THIRD ANGLE  
PROJECTION



NOTES:

- 1 SPLICE FREE FOR AMP\_O\_MATOR.
- 2 REELED WITH PAPER LAYER.
- 3 OBSOLETE PARTS: OBSOLETE CIS STREAMLINING PER D.RENAUD/D.SINISI



3 OBSOLETE

3 OBSOLETE

3 OBSOLETE

WIRE RANGE :  
0,3-0,56 mm  
INSULATION RANGE :  
1,0-2,0 DIA.

FINISH	MATERIAL	PARTNUMBER
TIN	BRASS	6-160316-4
TIN-LEAD	PHOSPHORBRONZE	6-160316-3
TIN-LEAD	BRASS	6-160316-2
PRE-TIN HOT DIP	PHOSPHORBRONZE	6-160316-0
TIN	BRASS	5-160316-9
NONE	BRASS	5-160316-8
GOLD	PHOSPHORBRONZE	5-160316-7
TIN	PHOSPHORBRONZE	5-160316-6
NONE	PHOSPHORBRONZE	5-160316-5
GOLD	BRASS	5-160316-4
SILVER	BRASS	5-160316-3
TIN	BRASS	5-160316-2
NONE	BRASS	5-160316-1

CUSTOMER DRAWING FOR REFERENCE ONLY WILL NOT BE UPDATED				
© COPYRIGHT 19- BY AMP HOLLAND B.V. ALL INTERNATIONAL RIGHTS RESERVED. AMP PRODUCTS MAY BE COVERED BY U.S. AND FOREIGN AND/OR PATENTS PENDING.				
THIS DRAWING IS UNPUBLISHED RELEASED FOR PUBLICATION , 19				
F2	REVISED PER ECO-09-025699	KK	AEG	16DEC09
F1	ET00-0045-02	HY	CT	07 MAR 02
F	EH-0243-94	DK	PB	11-04-94
LTR.	REVISION RECORD	DR.	CHK.	DATE
DR.:	D.KESSLER	CHK.:	P.BEIJNON	APP.:
DATE:	11-04-94	DATE:	-	DATE:
L.V.SOEST		DWG. No.		C-160316
SHEET		REV. LTR.		F2
1 OF 1				

Tyco Electronics, ITALIA S.r.l.  
Corso F.lli Cervi, 15  
COLLEGNO (TORINO)

NAME .110 SRS FASTON RECEPTACLE