



Chipsmall Limited consists of a professional team with an average of over 10 year of expertise in the distribution of electronic components. Based in Hongkong, we have already established firm and mutual-benefit business relationships with customers from,Europe,America and south Asia,supplying obsolete and hard-to-find components to meet their specific needs.

With the principle of "Quality Parts,Customers Priority,Honest Operation,and Considerate Service",our business mainly focus on the distribution of electronic components. Line cards we deal with include Microchip,ALPS,ROHM,Xilinx,Pulse,ON,Everlight and Freescale. Main products comprise IC,Modules,Potentiometer,IC Socket,Relay,Connector.Our parts cover such applications as commercial,industrial, and automotives areas.

We are looking forward to setting up business relationship with you and hope to provide you with the best service and solution. Let us make a better world for our industry!



Contact us

Tel: +86-755-8981 8866 Fax: +86-755-8427 6832

Email & Skype: info@chipsmall.com Web: www.chipsmall.com

Address: A1208, Overseas Decoration Building, #122 Zhenhua RD., Futian, Shenzhen, China

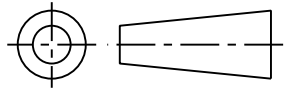


DO NOT SCALE

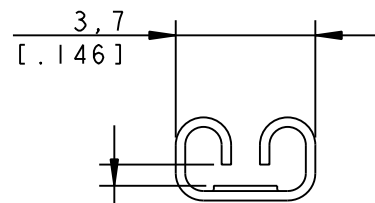
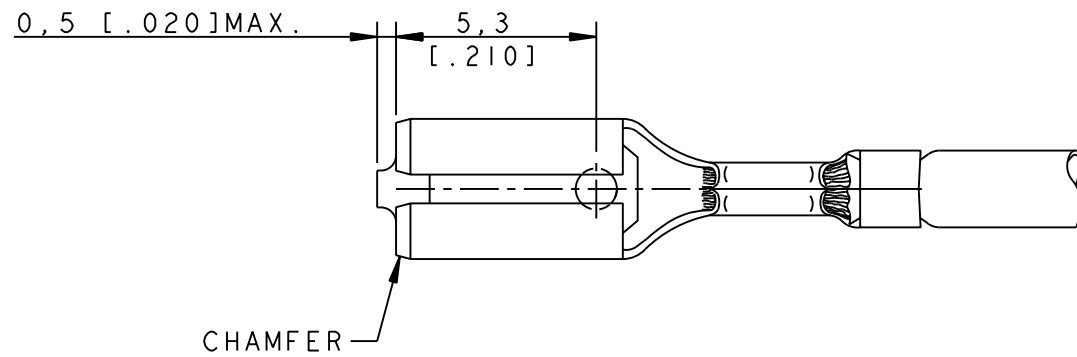
DIMENSIONS IN mm

METRIC

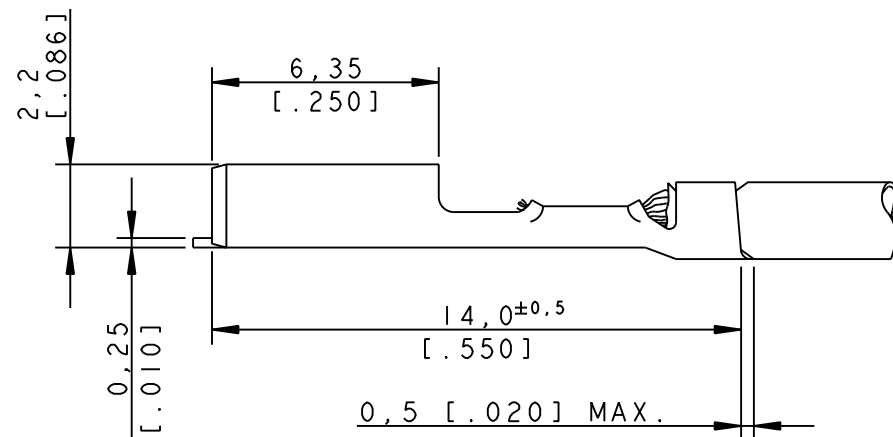
THIRD ANGLE
PROJECTION



⚠ OBSOLETE PARTS: OBSOLETE CIS STREAMLINING PER D.RENAUD/D.SINISI



FITS TAB 0,8
[.032] THICK



⚠ OBSOLETE

OBSOLETE
⚠

⚠ OBSOLETE

MAKE FROM STRIP PN	FINISH	MATERIAL	LOOSE PIECE PARTNUMBER
6-160303-3	PRE-TIN HOT DIP	PHOSPHORBRONZE	6-160321-3
6-160303-2	TIN-LEAD	BRASS	6-160321-2
6-160303-0	PRE-TIN HOT DIP	PHOSPHORBRONZE	6-160321-0
5-160303-9	PRE-TIN HOT DIP	BRASS	5-160321-9
5-160303-6	TIN	PHOSPHORBRONZE	5-160321-6
5-160303-4	GOLD	BRASS	5-160321-4
5-160303-3	SILVER	BRASS	5-160321-3
5-160303-2	TIN	BRASS	5-160321-2
5-160303-1	NONE	BRASS	5-160321-1

WIRE RANGE :
0,3-0,56 mm
INSULATION RANGE :
1,0-2,0 DIA.

CUSTOMER DRAWING FOR REFERENCE ONLY
WILL NOT BE UPDATED

© COPYRIGHT 19 - BY AMP HOLLAND B.V.
ALL INTERNATIONAL RIGHTS RESERVED. AMP PRODUCTS MAY BE
COVERED BY U.S. AND FOREIGN AND/OR PATENTS PENDING.

THIS DRAWING IS UNPUBLISHED
RELEASED FOR PUBLICATION - ,19 -

Tyco Electronics AMP ITALIA S.r.l.
Corso F.lli Cervi, 15
COLLEGNO (TORINO)

AI	ECO-10-000030	KK	AEG	04JAN10	
A	EH-0243-94	DK	PB	11-04-94	
LTR.	REVISION RECORD	DR.	CHK.	DATE	
DR.:	D.KESSLER	CHK.:	P.BEIJNON	APP.:	L.V.SOEST
DATE:	11-04-94	DATE:	-	DATE:	-

NAME	.110 SRS FASTON RECEPTACLE LOOSE PIECES
DWG. No.	C-160321
SHEET	1 OF 1
REV. LTR.	AI

8

7

6

5

4

3

2

1