



Chipsmall Limited consists of a professional team with an average of over 10 year of expertise in the distribution of electronic components. Based in Hongkong, we have already established firm and mutual-benefit business relationships with customers from,Europe,America and south Asia,supplying obsolete and hard-to-find components to meet their specific needs.

With the principle of “Quality Parts,Customers Priority,Honest Operation,and Considerate Service”,our business mainly focus on the distribution of electronic components. Line cards we deal with include Microchip,ALPS,ROHM,Xilinx,Pulse,ON,Everlight and Freescale. Main products comprise IC,Modules,Potentiometer,IC Socket,Relay,Connector.Our parts cover such applications as commercial,industrial, and automotives areas.

We are looking forward to setting up business relationship with you and hope to provide you with the best service and solution. Let us make a better world for our industry!



Contact us

Tel: +86-755-8981 8866 Fax: +86-755-8427 6832

Email & Skype: info@chipsmall.com Web: www.chipsmall.com

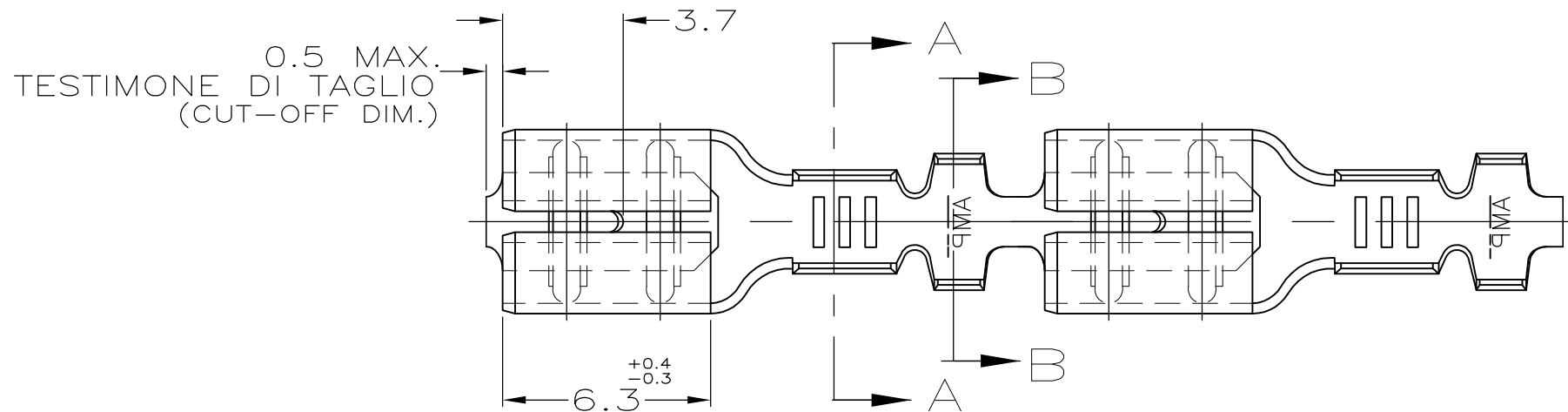
Address: A1208, Overseas Decoration Building, #122 Zhenhua RD., Futian, Shenzhen, China



THIS DRAWING IS UNPUBLISHED.
 QUESTO DISEGNO NON DEVE ESSERE DIVULGATO O RIPRODOTTO

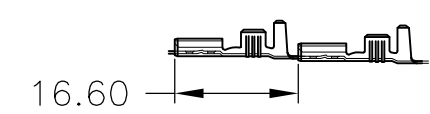
RELEASED FOR PUBLICATION
 E' CONSENTITA LA DIVULGAZIONE
 ALL RIGHTS RESERVED.
 TUTTI I DIRITTI SONO RISERVATI

LOC	DIST	REVISIONS REVISIONI			
P	LTR REV	DESCRIPTION DESCRIZIONE	DATE DATA	DWN DIS.	APVD APP.
—	—	AG4	REVISED PER ECO-11-005301	02MAR11	RK HMR



1) STATO DI FORNITURA - SCALA 1:1
 (SUPPLY CONDITION - SCALE 1:1)

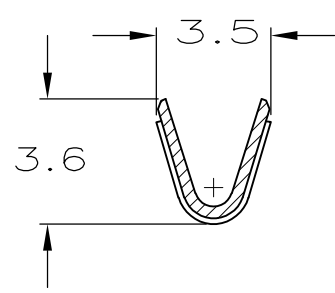
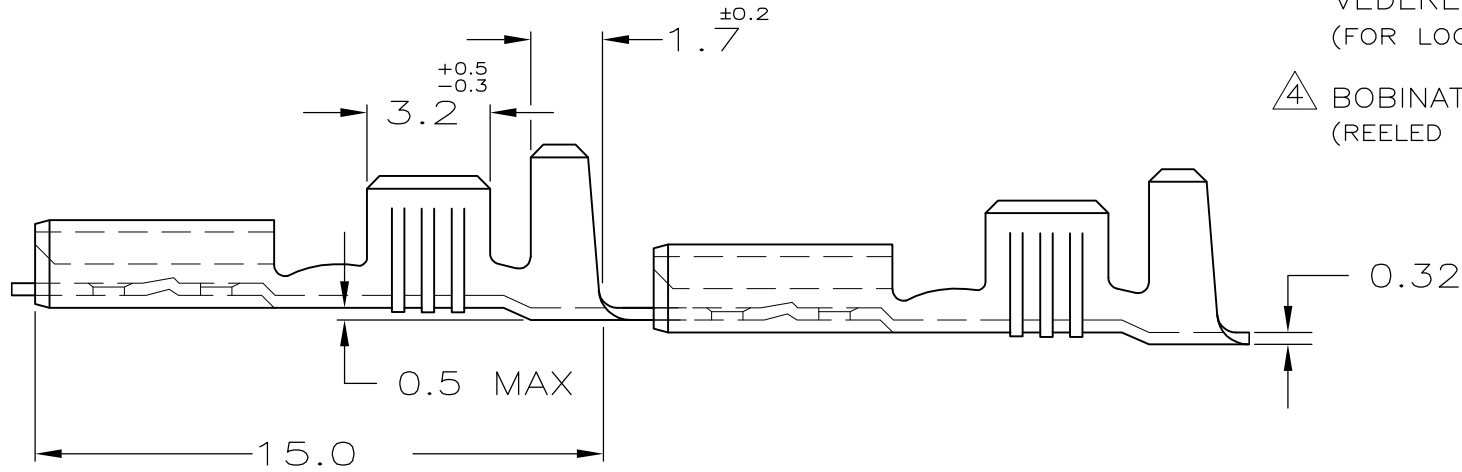
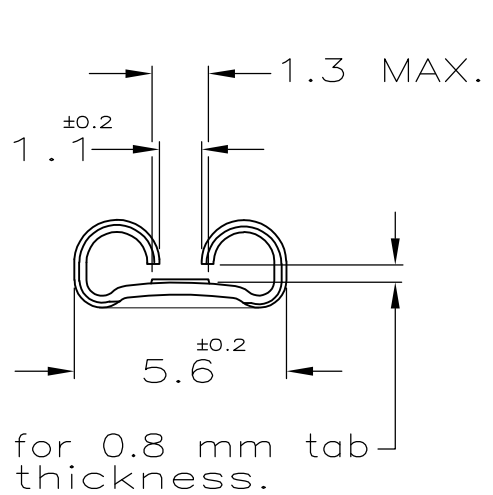
SENSO DI USCITA
 DEL TERMINALE
 DALLA BOBINA
 (DIRECTION OFF
 TOP OF REEL)



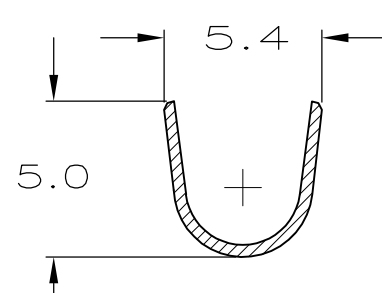
2) SPECIFICA DI PRODOTTO 108-20019
 (PRODUCT SPEC. 108-20019)

3) PER LE VERSIONI IN PEZZI SCIOLTI
 VEDERE DISEGNO 160491
 (FOR LOOSE PIECE VERSION SEE DRAWING 160491).

△ BOBINATO CON CARTA INTERPOSTA
 (REELED WITH INTERLEAVE PAPER STRIP)



(SEZIONE A-A)
 (SECTION A-A)



(SEZIONE B-B)
 (SECTION B-B)

	STAGNATO (TIN PLATED)	BRONZO FOSF. (PH. BRONZE)	5-160429-6		
OBSOLETE	△	PRE NICHELATO (PRE NICKEL PL.)	ACCIAIO (STEEL)	5-160429-4	
		STAGNATO (TIN PLATED)	OTTONE (BRASS)	5-160429-2	
	△	NUDO (UNPLATED)	OTTONE (BRASS)	5-160429-1	
NOTE		FINITURA/COLORE (FINISH/COLOR)	MATERIALE (MATERIAL)	NUMERO (P/N)	REV

DIAM. ISOLANTE INSUL. RANGE	RANGO FILO WIRE RANGE
3.0-4.3mm ϕ	1.0-2.5mm ²

THIS DRAWING IS A CONTROLLED DOCUMENT. QUESTO DISEGNO E' UN DOCUMENTO CONTROLLATO.		DWN/DIS. H.YAALI 01 FEB 2000	TE Connectivity FASTON Connector, .187 sr. REC. CONTACT.	
DIMENSIONS: DIMENSIONI: mm		CHK/CONT. C.TARTARI 01 FEB 2000		
TOLERANCES UNLESS OTHERWISE SPECIFIED: TOLLERANZE: SE NON DIVERSAMENTE SPECIFICATO		APVD / APP.	NAME NOME	
0 PLC / DEC \pm -		PRODUCT SPEC SPEC DI PRODOTTO	SIZE	
1 PLC / DEC \pm 0.3		APPLICATION SPEC SPEC DI APPLICAZIONE	CAGE CODE	DRAWING NO NUMERO
2 PLC / DEC \pm -		WEIGHT PESO	A3	00779
3 PLC / DEC \pm -			C	-160429
4 PLC / DEC \pm -			RESTRICTED TO	
ANGLES / ANGOLI \pm 2'			-	
MATERIAL MATERIALE	FINISH FINITURA	CUSTOMER DRAWING DISEGNO PER CLIENTE SOLO PER RIFERIMENTO		
-	-	SCALE SCALA	5:1	SHEET FOGLIO 1 OF DI 1
		REV		AG4